



# INSTALLATION INSTRUCTIONS

Accessory

**BASS SPEAKER SYSTEM  
ATTACHMENT**

Application

**2006-2008 CIVIC  
2-DOOR  
(DX, LX)**

Publications No.

**All 37686**

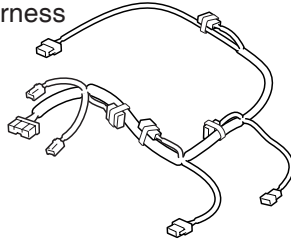
Issue Date

**AUG 2007**

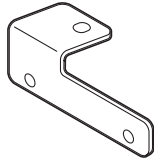
## PARTS LIST

**Bass Speaker System Attachment Kit (sold separately) :  
P/N 08B54-SVA-100**

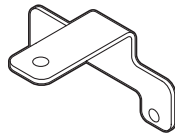
Bass speaker system wire harness



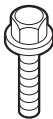
Right bracket



Left bracket



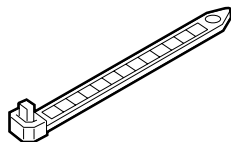
2 Washer-bolts, 6 x 16 mm



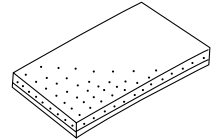
2 Clip nuts



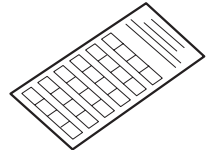
10 Wire ties



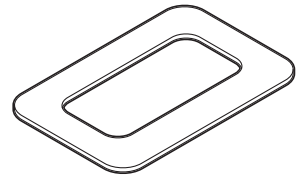
3 EPT sealers



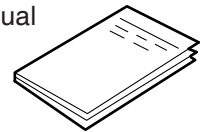
Fuse seal



Oval cushion

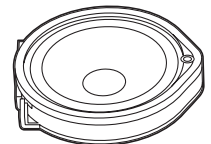


Accessory user's Information manual

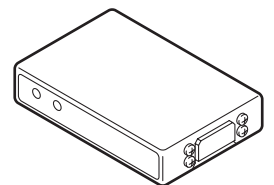


**Bass Speaker System Kit (sold separately) :  
P/N 08A54-SNA-100**

2 Bass speakers



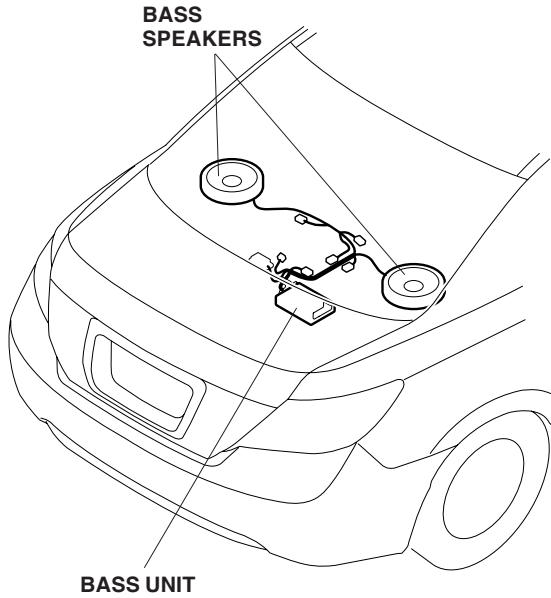
Bass unit



## TOOLS REQUIRED

Phillips screwdriver  
Flat-tip screwdriver  
10 mm and 8 mm wrenches  
Shop towel  
Isopropyl alcohol  
Clip removal tool

## Illustration of the Bass Speaker System Installed on the Vehicle

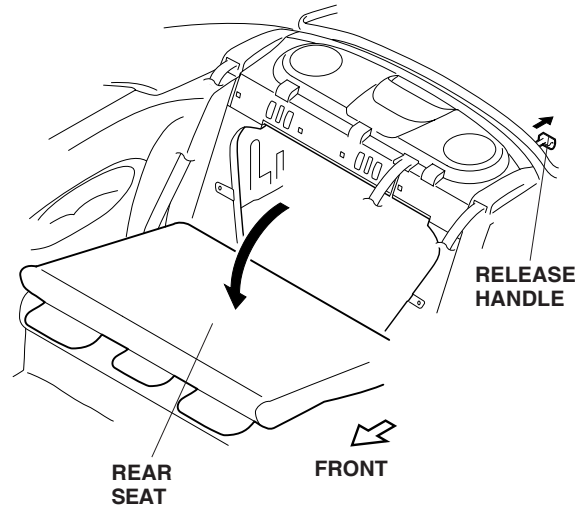


## INSTALLATION

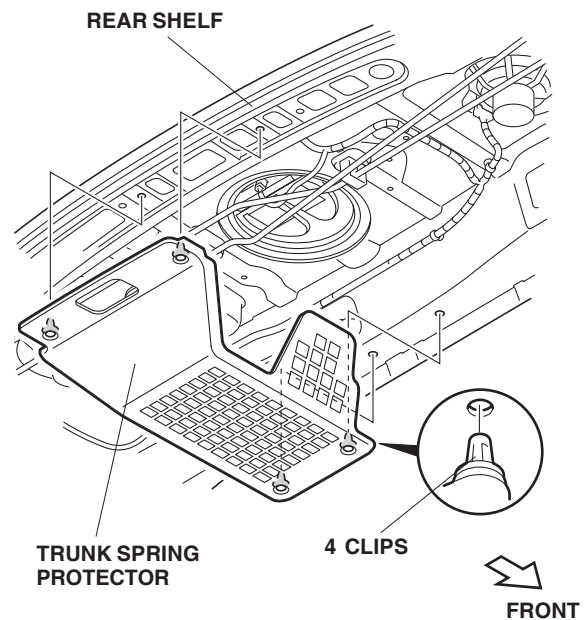
**Customer information:** The information in this installation instruction is intended for use only by skilled technicians who have the proper tools, equipment, and training to correctly and safely add equipment to your vehicle. These procedures should not be attempted by "do-it-yourselfers".

1. Make sure you have the anti-theft code for the radio, then write down the frequencies for the preset buttons.
2. Disconnect the negative cable from the battery.

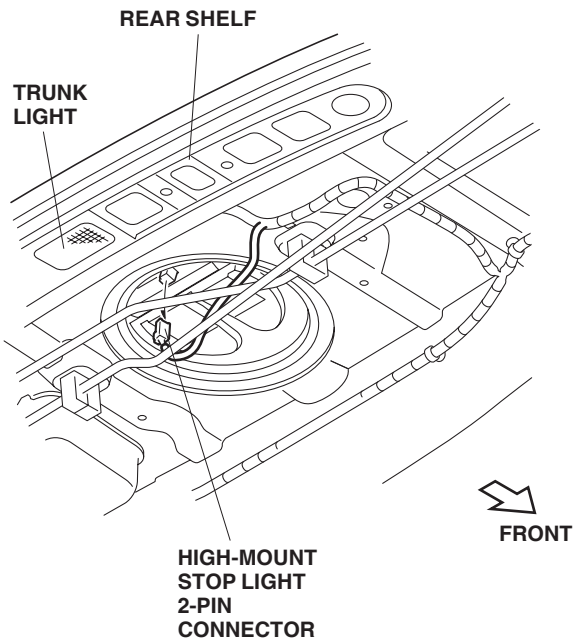
3. Open the trunk lid. Pull the release handle on the bottom of the parcel shelf to tilt the rear seat to the front.



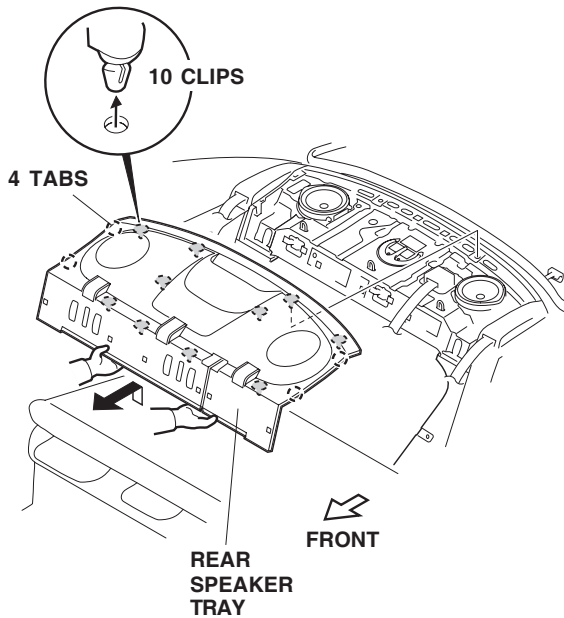
4. Remove the trunk spring protector (4 clips).



- In the trunk, unplug the vehicle 2-pin connector from the high-mount stop light.

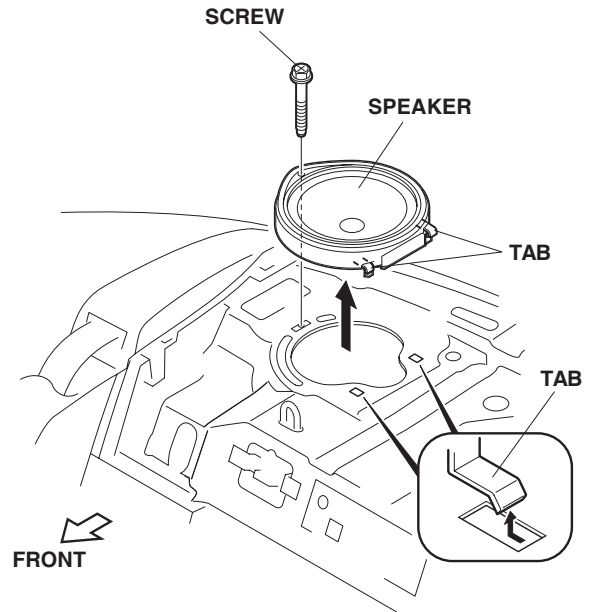


- Remove the rear speaker tray (10 clips, 4 tabs) while lightly pulling up on the end of the rear speaker tray as shown. Attach clips left on the vehicle panel onto the rear speaker tray.



## Installing the Bass Speakers

- Remove the right and left speakers (one screw for each speaker).



- Install the right and left speakers using the screws removed in step 7.

