



## INSTALLATION INSTRUCTIONS

Accessory  
ILLUMINATED  
DOOR SILL TRIM

Application  
2016 CIVIC

Publications No.  
**VERSION 1**  
Issue Date  
**OCT 2015**

### PARTS LIST

Left door sill trim  
(Identification mark: L)



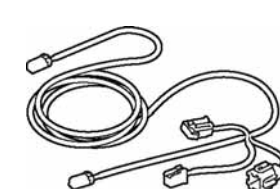
Right door sill trim  
(Identification mark: R)



Aluminum tape



Door sill trim harness



Fuse label



19 Wire ties



Urethane tape



Protective tape



2 Alcohol swabs



2 Protective clips



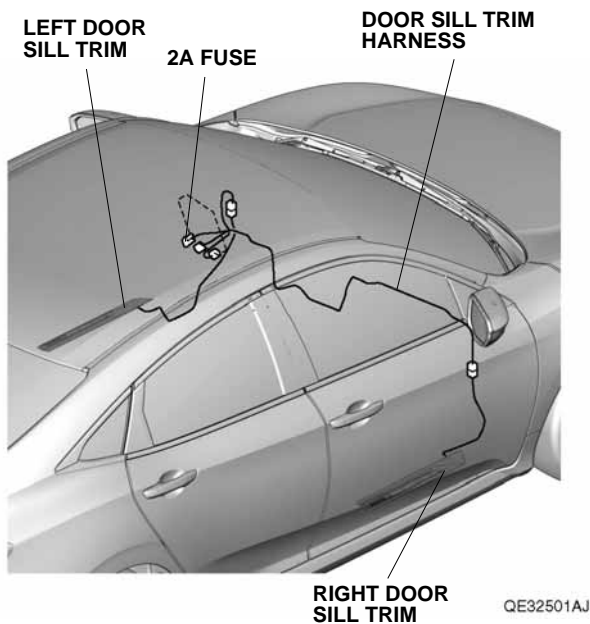
## TOOLS AND SUPPLIES REQUIRED

Phillips screwdriver  
10 mm Open end wrench  
Ratchet  
10 mm Socket  
Ruler  
Masking tape  
Scissors  
Diagonal cutters  
Isopropyl alcohol  
Shop towel  
Steel wire  
Electrical tape

The following tools are available through the Honda Tool and Equipment Program. On the iN, click on Service > Service Bay > Tool and Equipment Program, then enter the number under "Search". Or, call 888-424-6857.

- Trim Tool Set (T/N SOJATP2014)
- Plastic Trim Tool (T/N SILTRIMTL10)

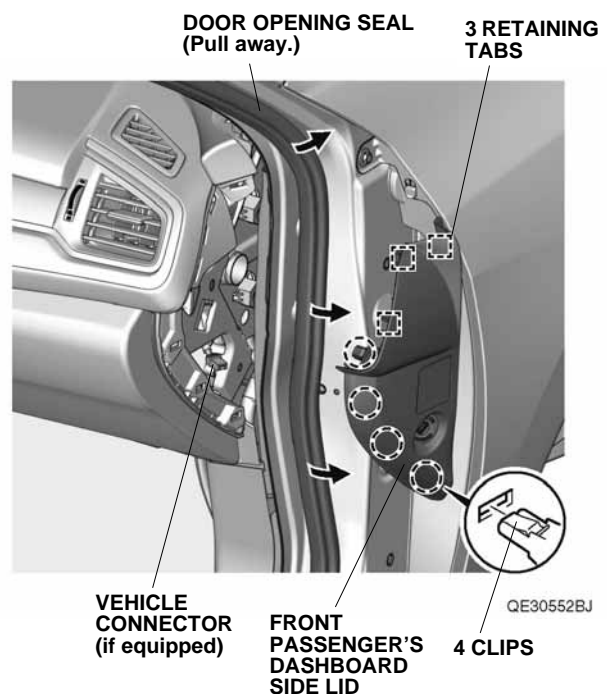
### Illustration of the Illuminated Door Sill Trim in the Vehicle



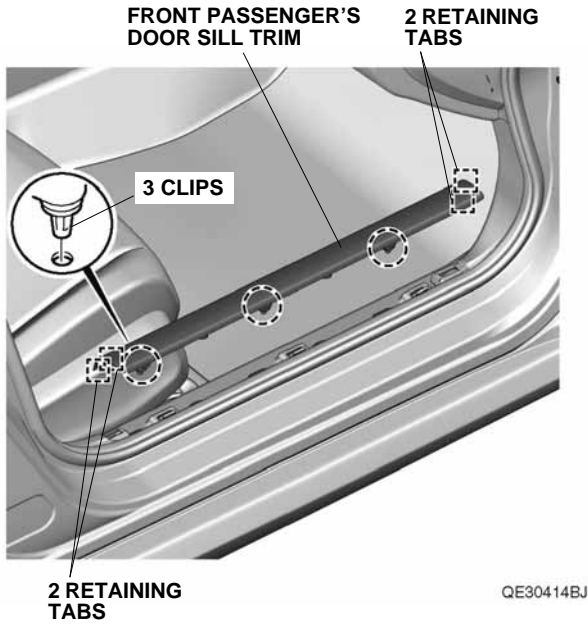
## INSTALLATION

**Customer Information:** The information in this installation instruction is intended for use only by skilled technicians who have the proper tools, equipment, and training to correctly and safely add equipment to your vehicle. These procedures should not be attempted by "do-it-yourselfers."

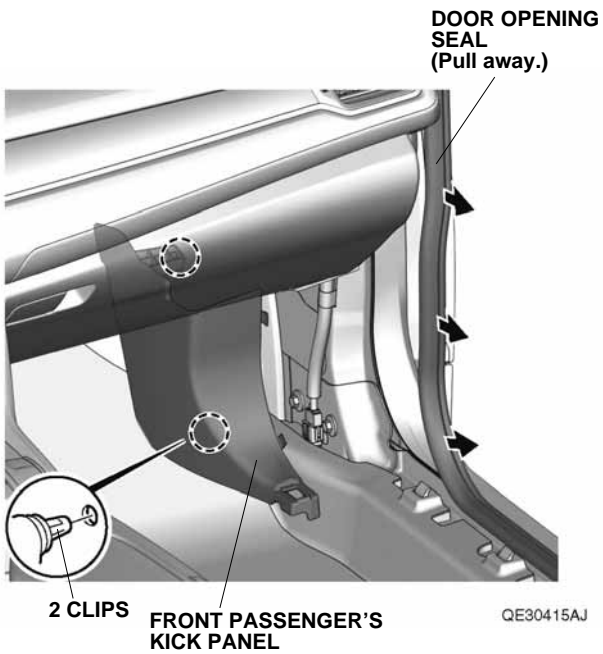
1. Disconnect the negative cable from the battery, then wait at least 3 minutes before starting work.
2. Remove the front passenger's dashboard side lid and unplug the vehicle connector (if equipped). Then, pull away the door opening seal.



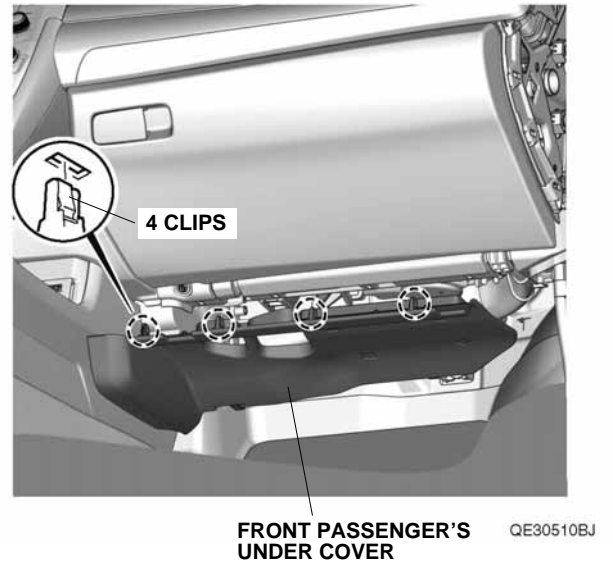
3. Remove the front passenger's door sill trim.



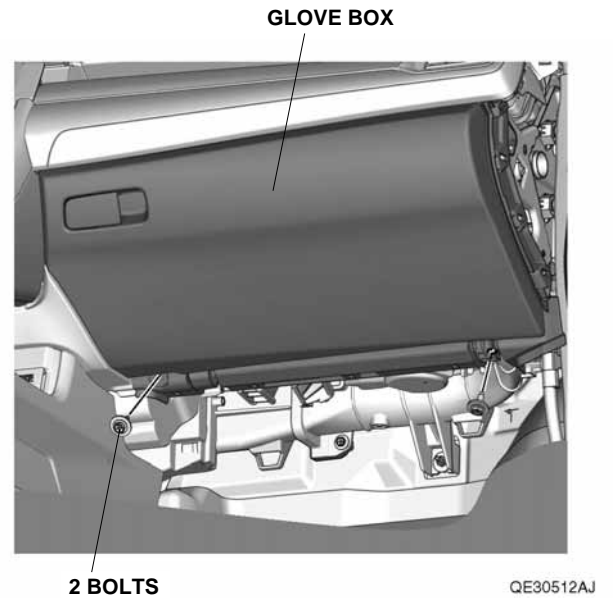
4. Pull back the door opening seal, and remove the front passenger's kick panel.



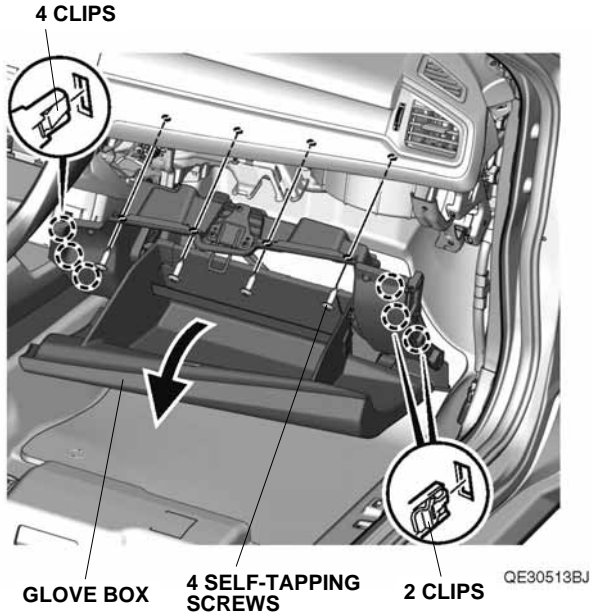
5. Remove the front passenger's under cover.



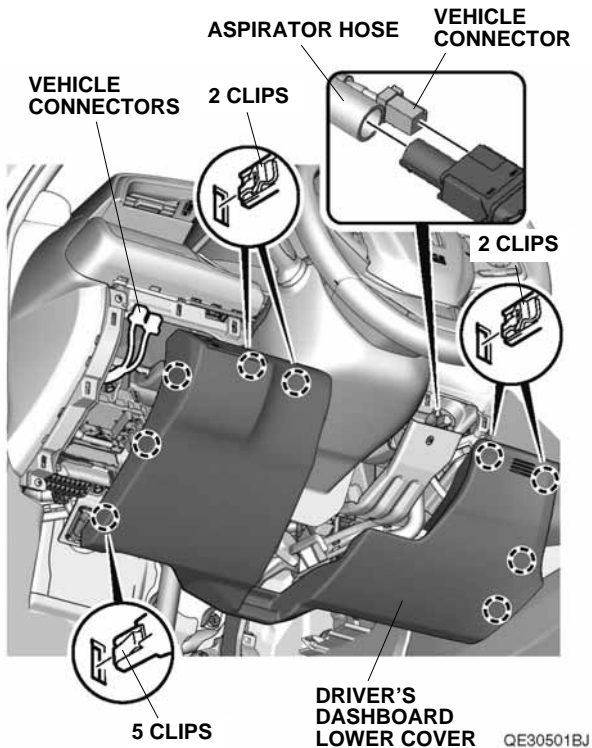
6. Remove the two bolts from the glove box.



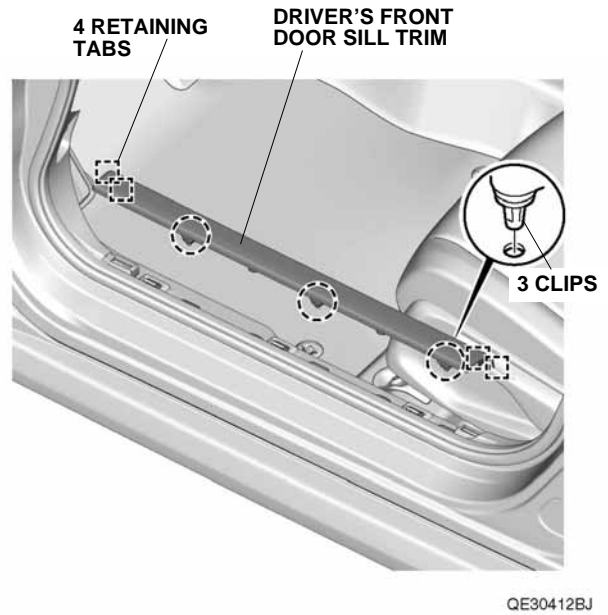
7. Open the glove box and remove the glove box.



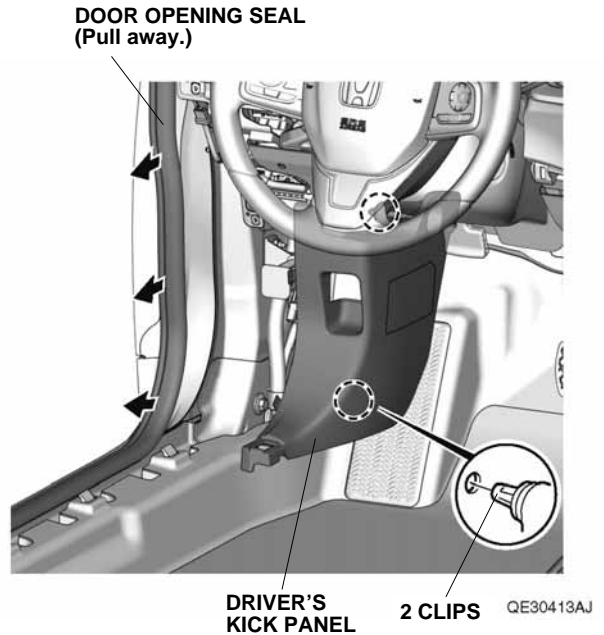
8. Remove the driver's dashboard lower cover, unplug the vehicle connectors and aspirator hose.



9. Remove the driver's front door sill trim.

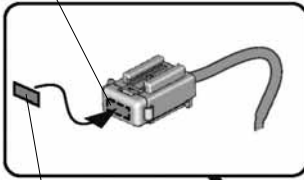


10. Pull away the door opening seal and remove the driver's kick panel.



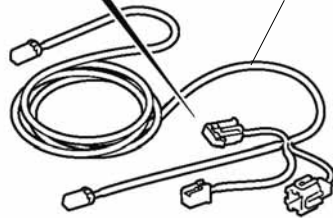
- Using isopropyl alcohol on a shop towel, thoroughly clean the fuse case where the fuse label will attach.

**FUSE CASE**  
(Clean with isopropyl alcohol.)



**FUSE LABEL**  
(2A STEP ILLUMI)

**DOOR SILL TRIM HARNESS**



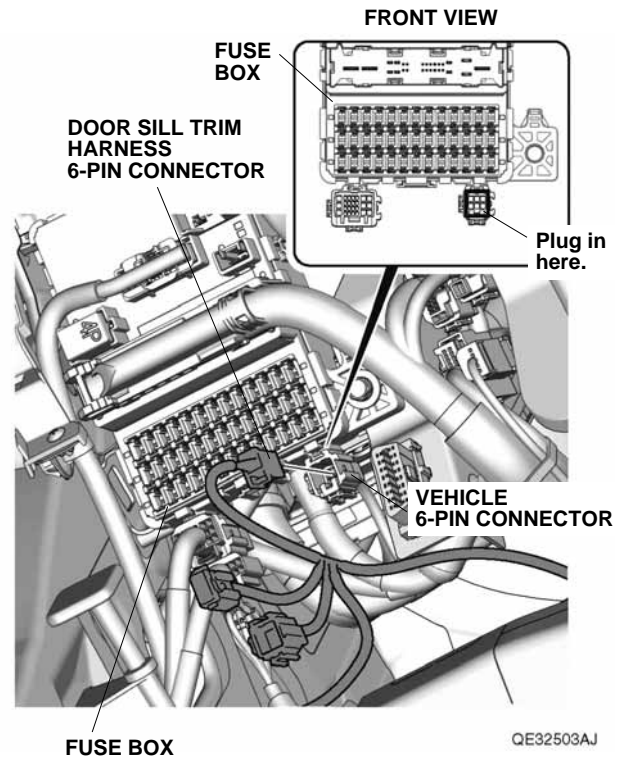
QE32502AJ

- Attach the fuse label to the door sill trim harness fuse case.

If the vehicle is without another accessory, continue with step 13. If the vehicle is equipped with fog lights, go to step 14. If the vehicle is equipped with a remote control engine starter and/or the wireless charger, go to step 16.

## Without Another Accessory Harness 6-Pin Connector

- Plug the door sill trim harness 6-pin connector into the vehicle 6-pin connector. Go to step 17.

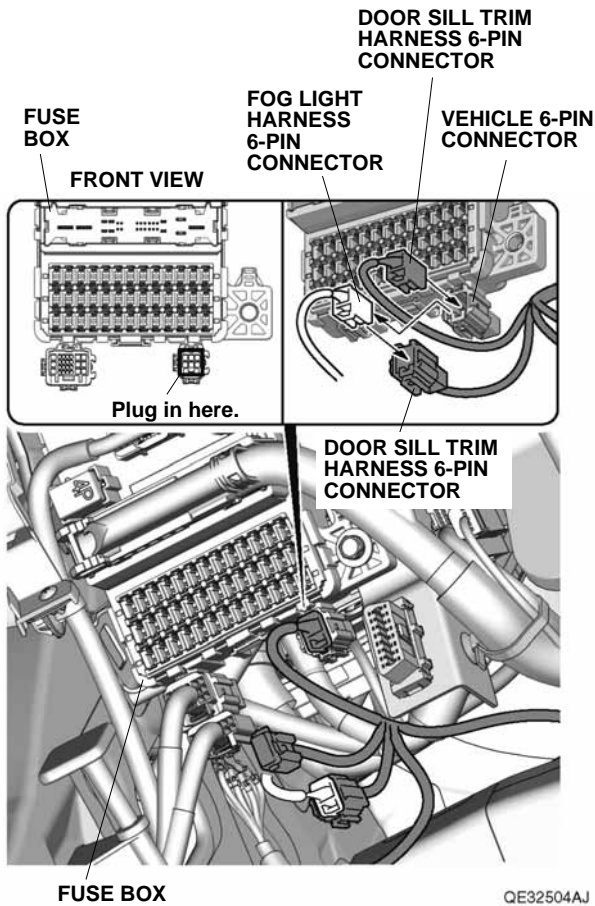


**FUSE BOX**

QE32503AJ

## With Fog Light Harness 6-Pin Connector

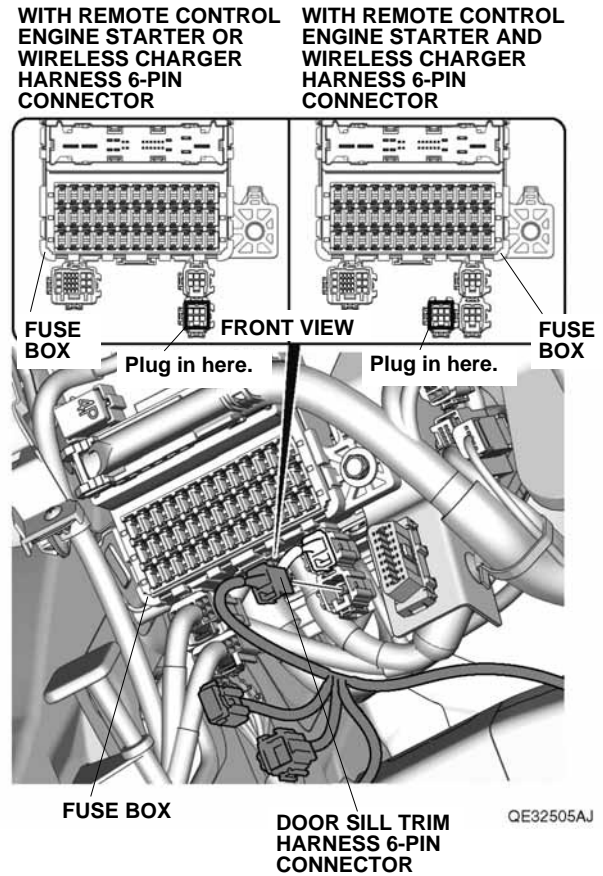
- If the fog light harness 6-pin connector is plugged into the vehicle 6-pin connector, unplug it. Plug the fog light harness 6-pin connector into the door sill trim harness 6-pin connector.



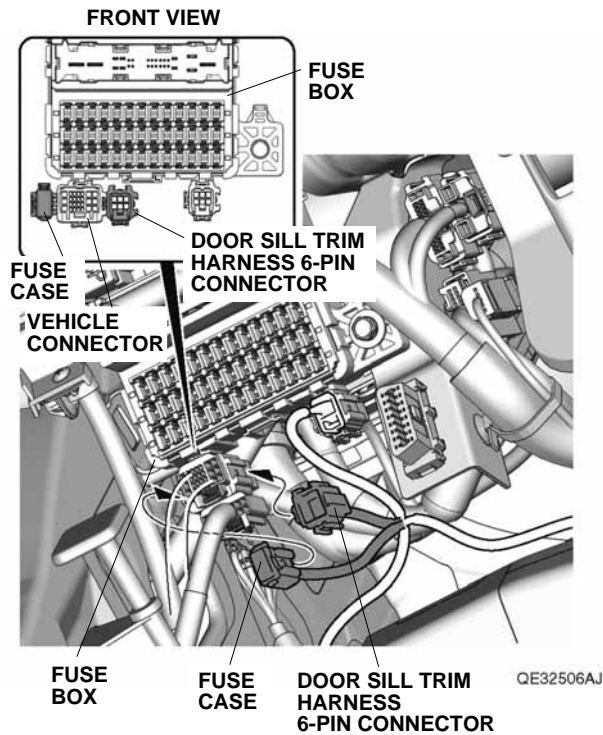
- Plug the door sill trim harness 6-pin connector into the vehicle 6-pin connector. Go to step 17.

## With Remote Control Engine Starter and/or Wireless Charger Harness 6-Pin Connector

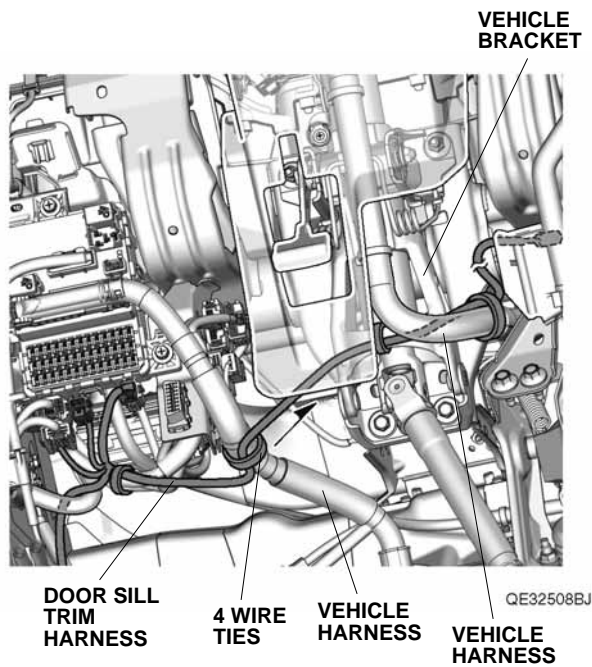
- If the remote control engine starter and/or wireless charger harness 6-pin connector is plugged into the vehicle 6-pin connector, plug the door sill trim harness 6-pin connector into the remote control engine starter and/or wireless charger harness 6-pin connector.



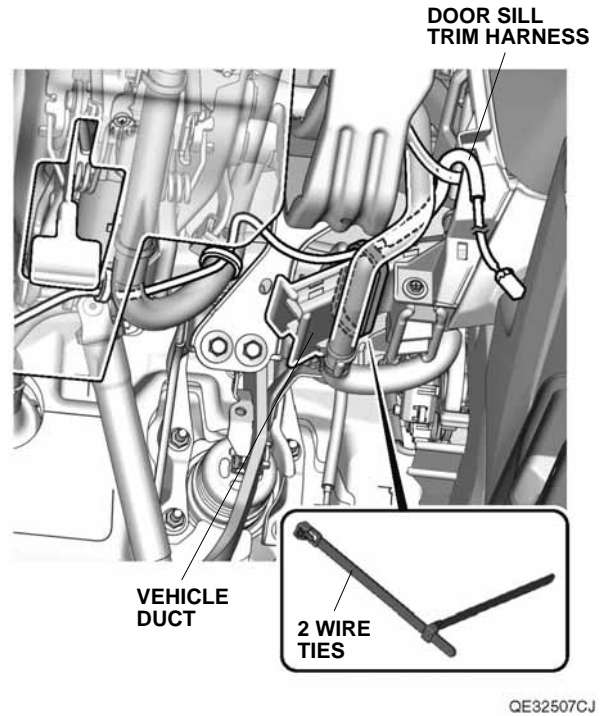
17. Attach the door sill trim harness 6-pin connector and fuse case to the vehicle connector.



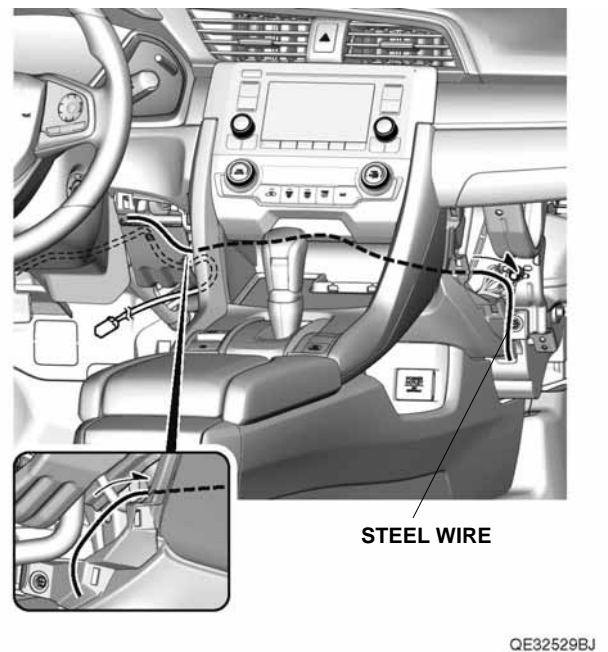
18. Route the door sill trim harness as shown. Secure the door sill trim harness to the vehicle harness and bracket with four wire ties.



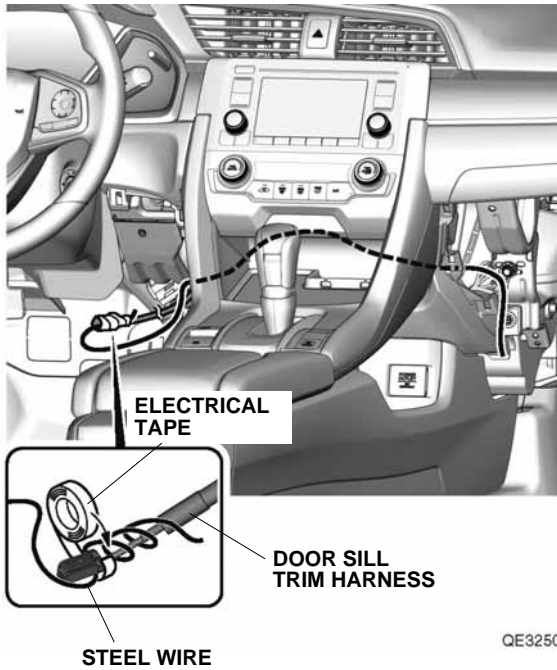
19. Secure the door sill trim harness to the vehicle duct with two wire ties.



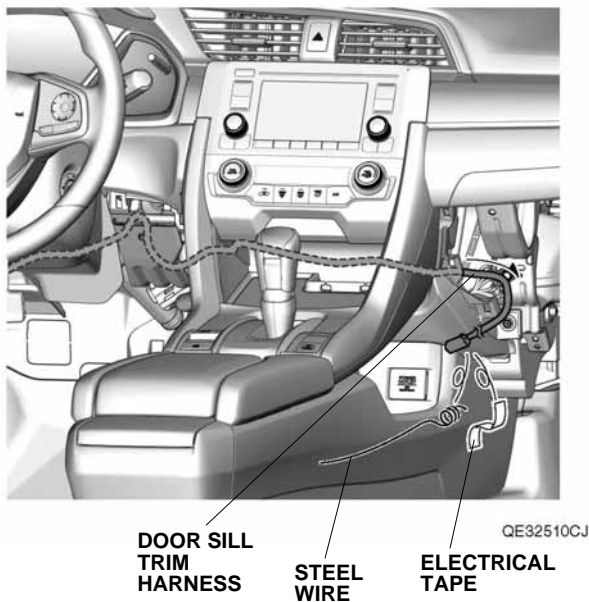
20. Route a piece of steel wire as shown.



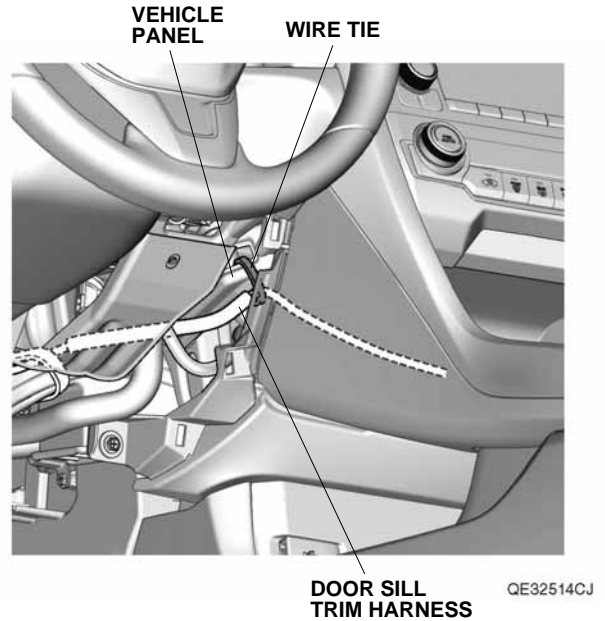
21. Attach the steel wire to the door sill trim harness with electrical tape.



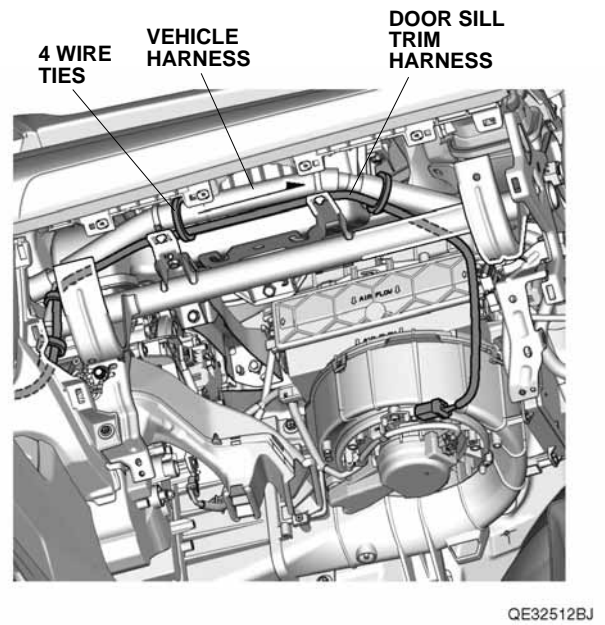
22. Route the door sill trim harness as shown and remove the electrical tape and steel wire.



23. Secure the door sill trim harness to the vehicle panel with one wire tie.

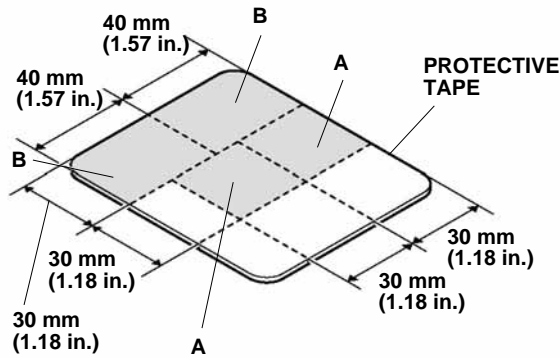


24. Route the door sill trim harness as shown. Secure the door sill trim harness to the vehicle harness with four wire ties.



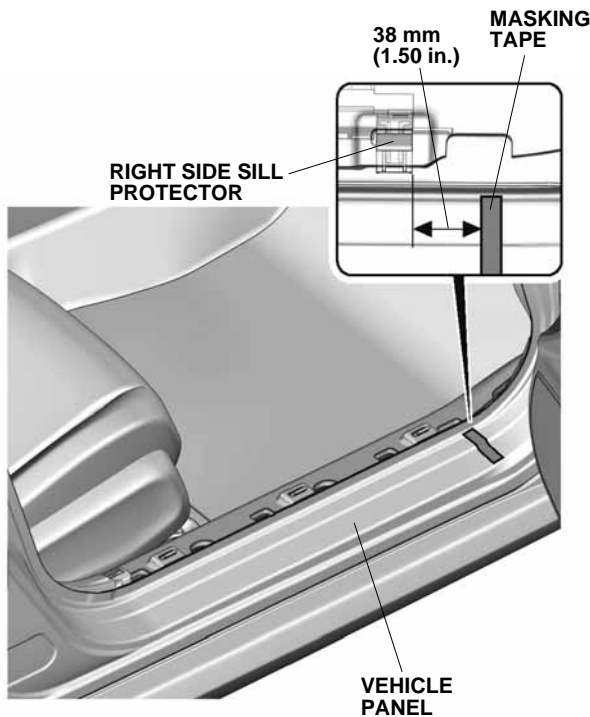


25. Using scissors, cut the protective tape as shown.



QE22410AH

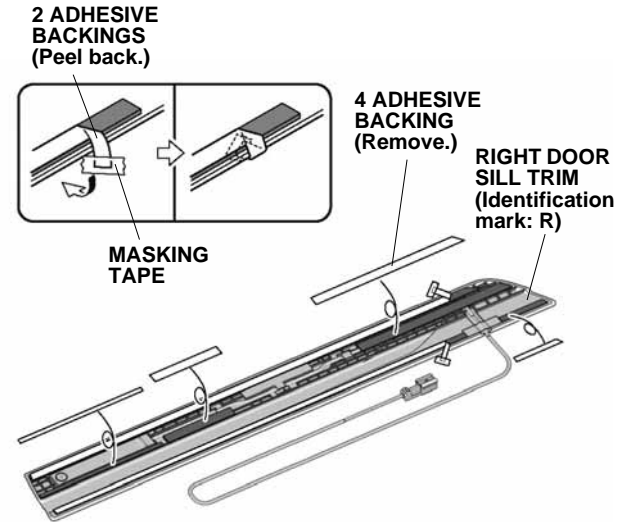
26. Apply masking tape to the vehicle panel as shown.



QE32515AJ

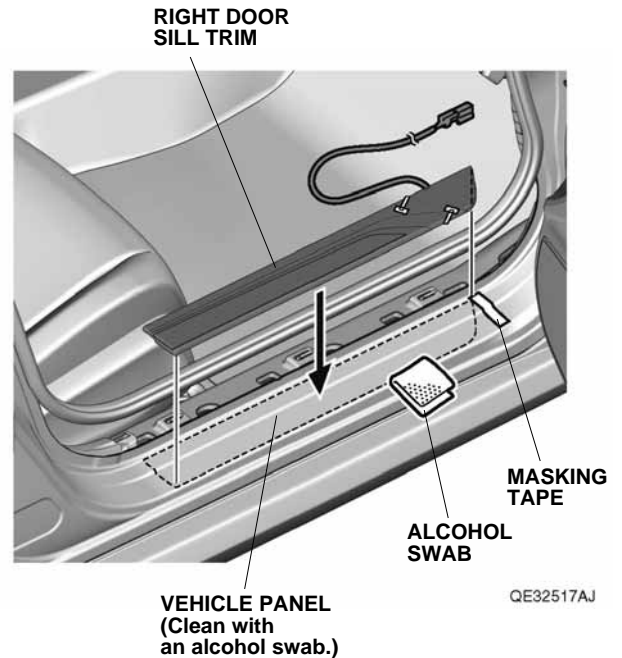
27. Peel back the ends of two adhesive backings on the right door sill trim and attach them to the front of the trim with masking tape.

NOTE: Make sure to check the identification mark is for the right door sill trim.



QE32516AJ

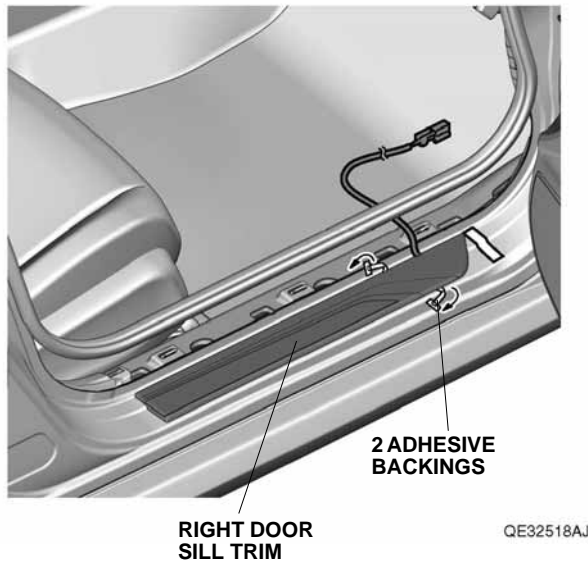
28. Remove four adhesive backings.
29. Using an alcohol swab, thoroughly clean the vehicle panel where the right door sill trim will attach.



QE32517AJ

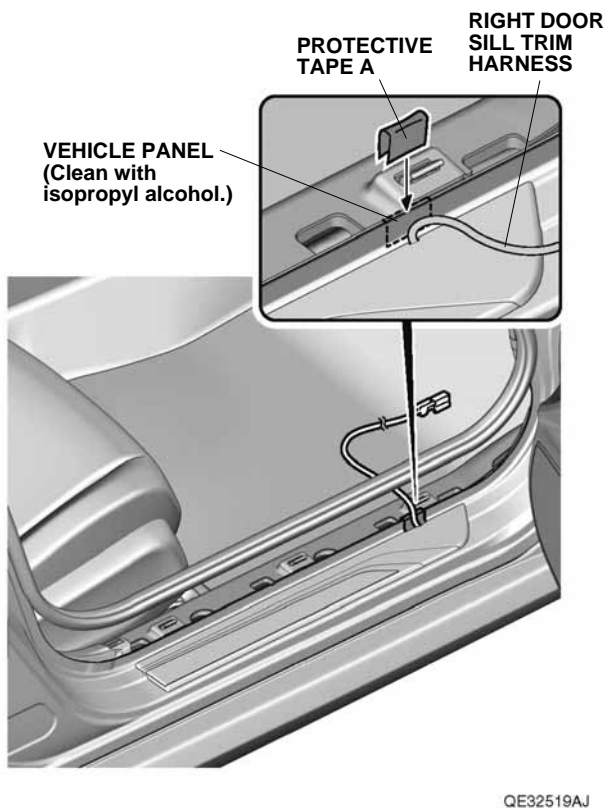
30. Align the right door sill trim to the masking tape.

31. Attach the right door sill trim to the vehicle panel by removing the two adhesive backings and pressing on the trim firmly with your hands.

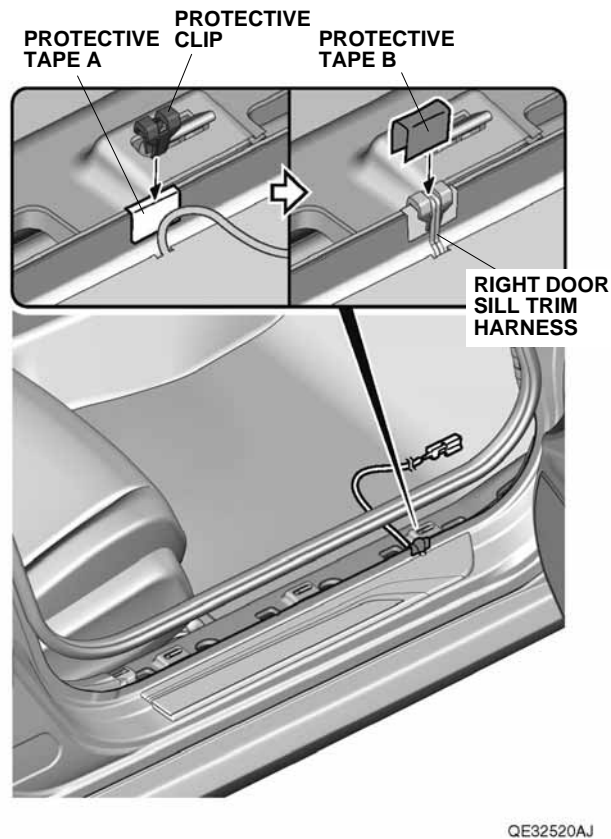


32. Remove the masking tape.

33. Using isopropyl alcohol on a shop towel, thoroughly clean the vehicle panel where the protective tape will attach. Attach one piece of protective tape A to the vehicle panel as shown.



34. Install the protective clip to the protective tape A.



35. Align and route the right door sill trim harness over the protective clip as shown.

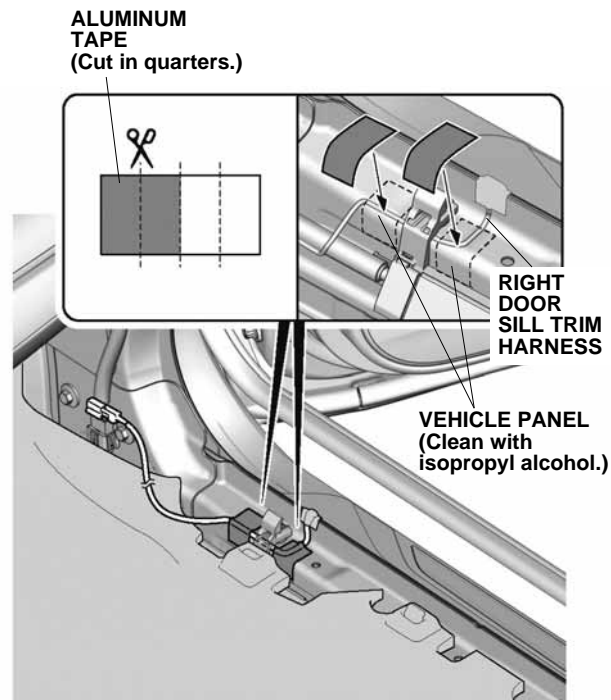
36. Attach one piece of protective tape B to the protective clip.

37. Release the right side sill protector from the clip.



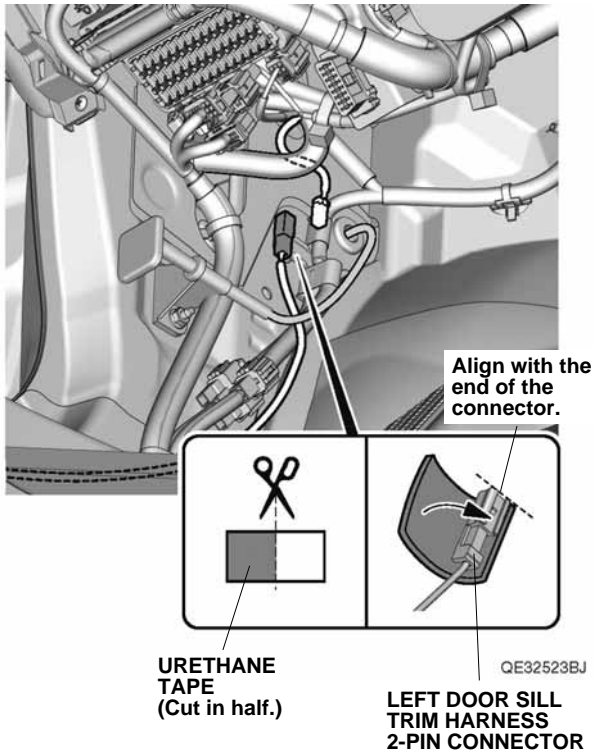
38. Route the right door sill trim harness as shown.  
39. Reinstall the right side sill protector.

40. Using isopropyl alcohol on a shop towel, thoroughly clean the vehicle panel where the aluminum tape will attach.

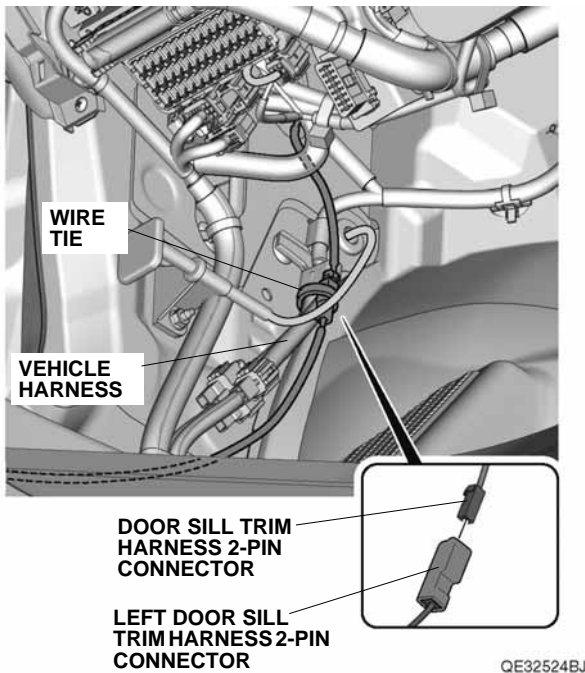


41. Using scissors, cut the aluminum tape into quarter pieces. Secure the right door sill trim harness to the vehicle panel with two of the quarter pieces.  
42. Repeat steps 26 through 41 to install the left door sill trim.

43. Using scissors, cut the urethane tape in half and attach one piece of the urethane tape around the left door sill trim harness 2-pin connector.

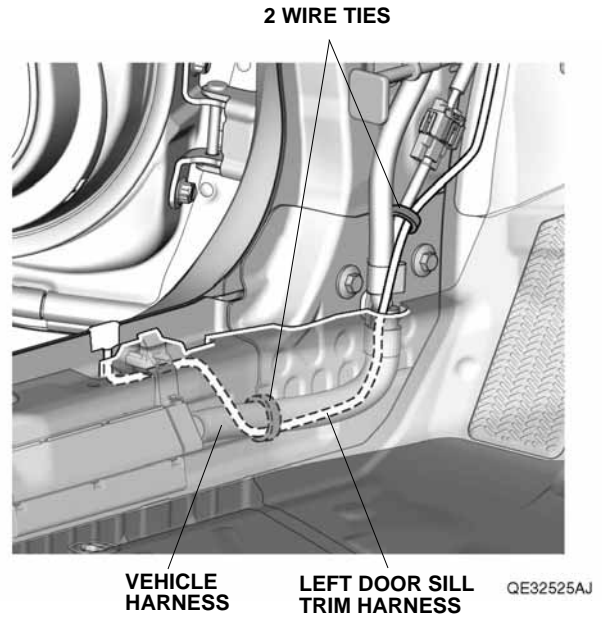


44. Plug the door sill trim harness 2-pin connector into the left door sill trim harness 2-pin connector.

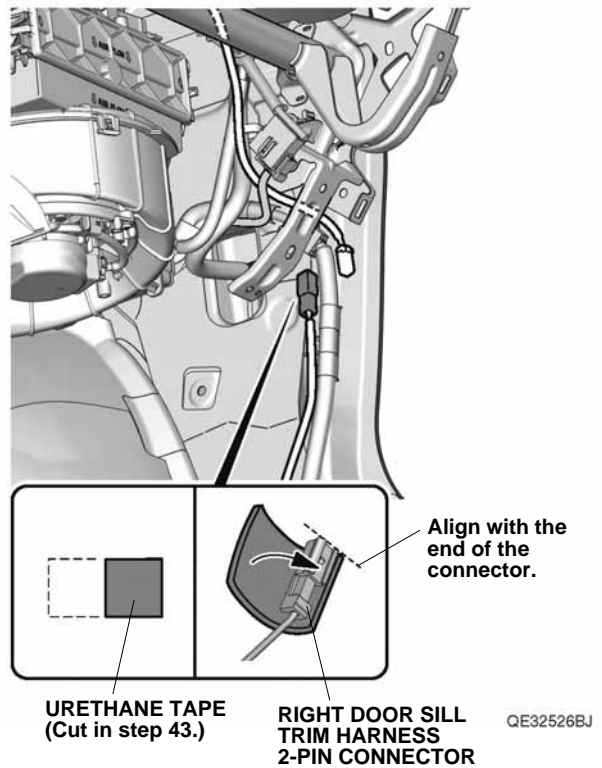


45. Secure the 2-pin connectors to the vehicle harness with one wire tie.

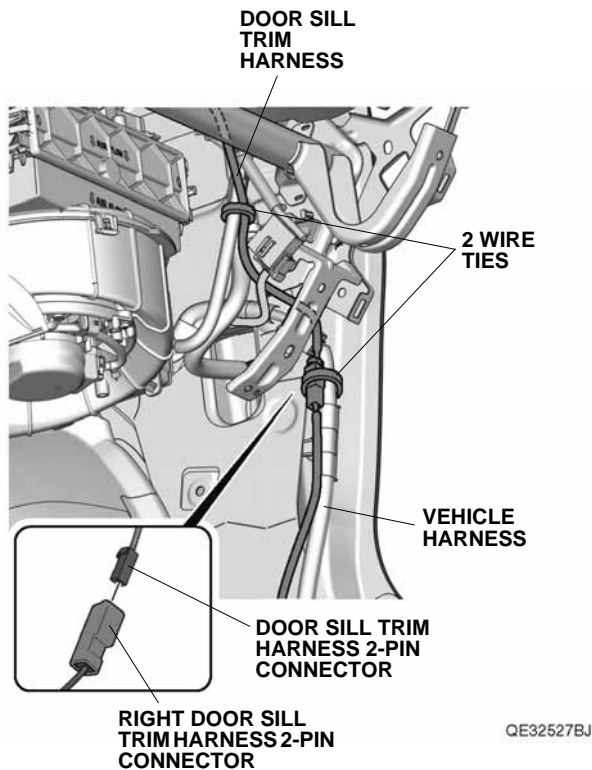
46. Secure the left door sill trim harness to the vehicle harness with two wire ties.



47. Attach one piece of urethane tape around the right door sill trim harness 2-pin connector.

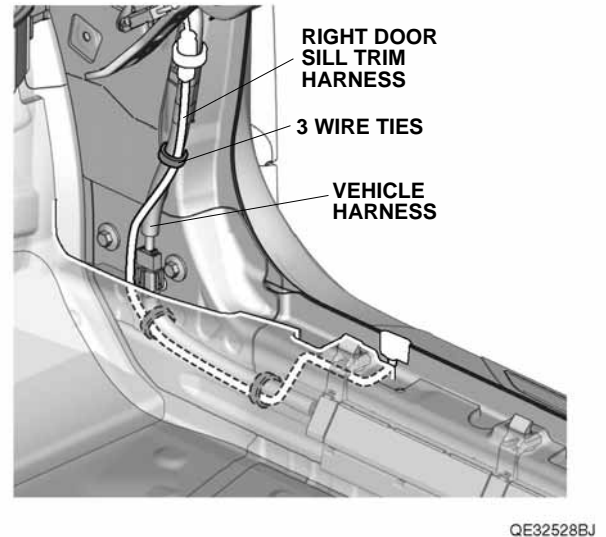


48. Plug the door sill trim harness 2-pin connector into the right door sill trim harness 2-pin connector.



49. Secure the 2-pin connectors to the vehicle harness with one wire tie.
50. Secure the door sill trim harness to the vehicle harness with one wire tie.

51. Secure the right door sill trim harness to the vehicle harness with three wire ties.



52. Check that all wire harnesses are routed properly and all connectors are plugged in.
53. Install all removed parts.
54. Connect the negative cable to the battery.
55. Turn the ignition to ON; the SRS indicator should come on for about 6 seconds and then go off.
56. Press and hold the audio unit power button for 2 seconds to restore the audio and navi (if equipped) system functions.
57. Reset the clock.
58. If necessary, restore the systems back to normal operation as described in the service information.

### Check the Operation of the Illuminated Door Sill Trim

59. Make sure the light comes on when you open each front door.