

# Germain Honda of College Hills



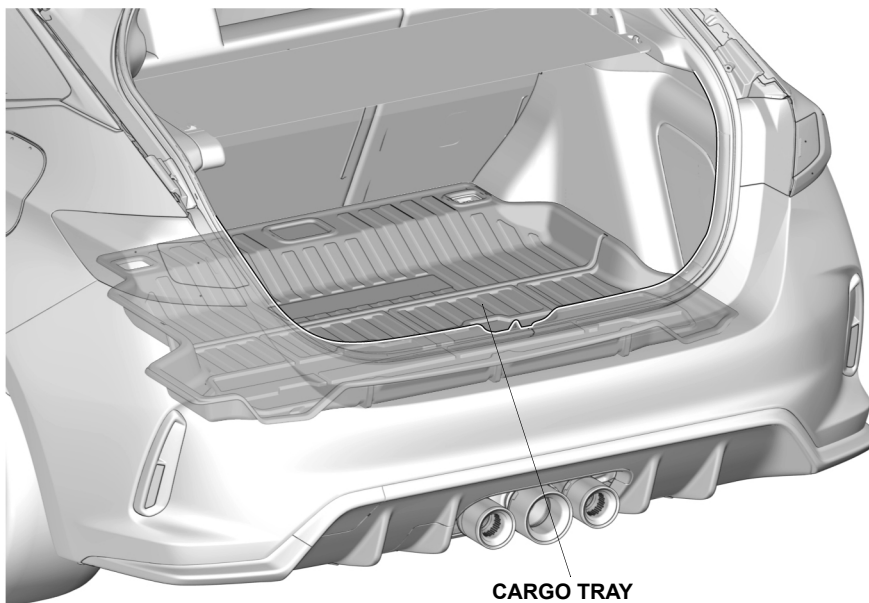
## INSTALLATION INSTRUCTIONS

Accessory  
**CARGO TRAY**

Application  
**2023 CIVIC TYPE R  
MODEL SERIES**

Publications No.  
**VERSION 1**  
Issue Date  
**OCT 2022**

## GENERAL VIEW



QLD0101BU

## FOR YOUR SAFETY (Read carefully.)

### Warning Symbols

Safety: Your safety, and the safety of others, is important. To help you make informed decisions about service procedures, we have provided safety messages where appropriate. Of course, it is not practical or possible to warn you about all the hazards associated with servicing a vehicle - you must use your own good judgment.

You will find important safety messages preceded by one of the following symbols:

\*All symbols are not used in all installation instructions.

**⚠ DANGER**

You will be killed or seriously hurt if you do not follow the instructions.

**⚠ WARNING**

You can be killed or seriously hurt if you do not follow the instructions.

**⚠ CAUTION**

You can be hurt if you do not follow the instructions.

**NOTICE**

Gives advice to prevent damage to the product, vehicle, the environment or other property.

**NOTE**

Gives helpful information or instructions to be followed when installing this product.

# Germain Honda of College Hills

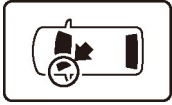


Indicates a prohibited action.

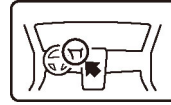
## Procedure and Location Icons

These icons indicate the work location and the worker's point of view.

\*All icons are not used in all installation instructions.



The location on the vehicle.



The location in the vehicle.  
(Instrument panel.)



Wear eye protection.



Wear heavy gloves.



Use an assistant.



Place the part on a blanket.



Work perpendicular.



Remove any burrs.



Use touch-up paint and allow to dry.



Tighten to the specified torque.



Apply firm pressure while rolling, especially at the ends, to set the adhesive.



Press firmly.



Clean with isopropyl alcohol.



Return the original part to the customer.  
(Do not reuse.)

## Safety: General

- Be careful not to damage the vehicle or the parts.
- The illustrations may differ slightly from the actual accessory.

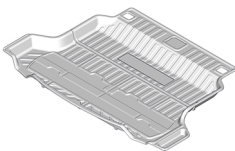
## Safety: Accessory

Always use the parts and tools specified in the installation instructions.

## PARTS LIST

### Cargo Tray Kit (P/N 08U45-T60-100)

Cargo tray



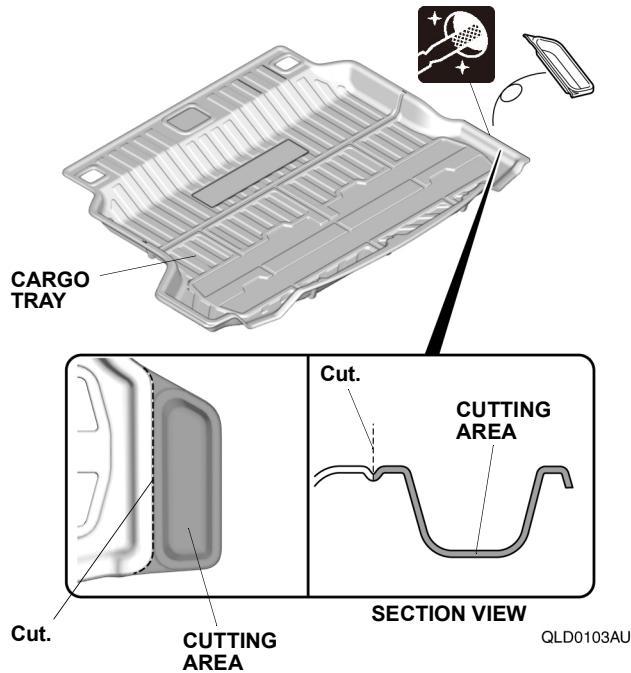
# Germain Honda of College Hills

## REQUIRED TOOLS AND SUPPLIES

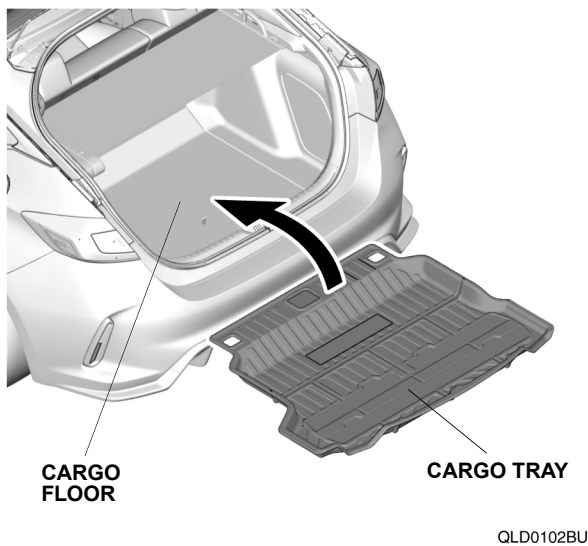
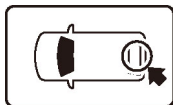
- Scissors
- File

## INSTALLATION

1. Cut the cargo tray.



2. Install the cargo tray.



3. Check that all parts are installed properly.