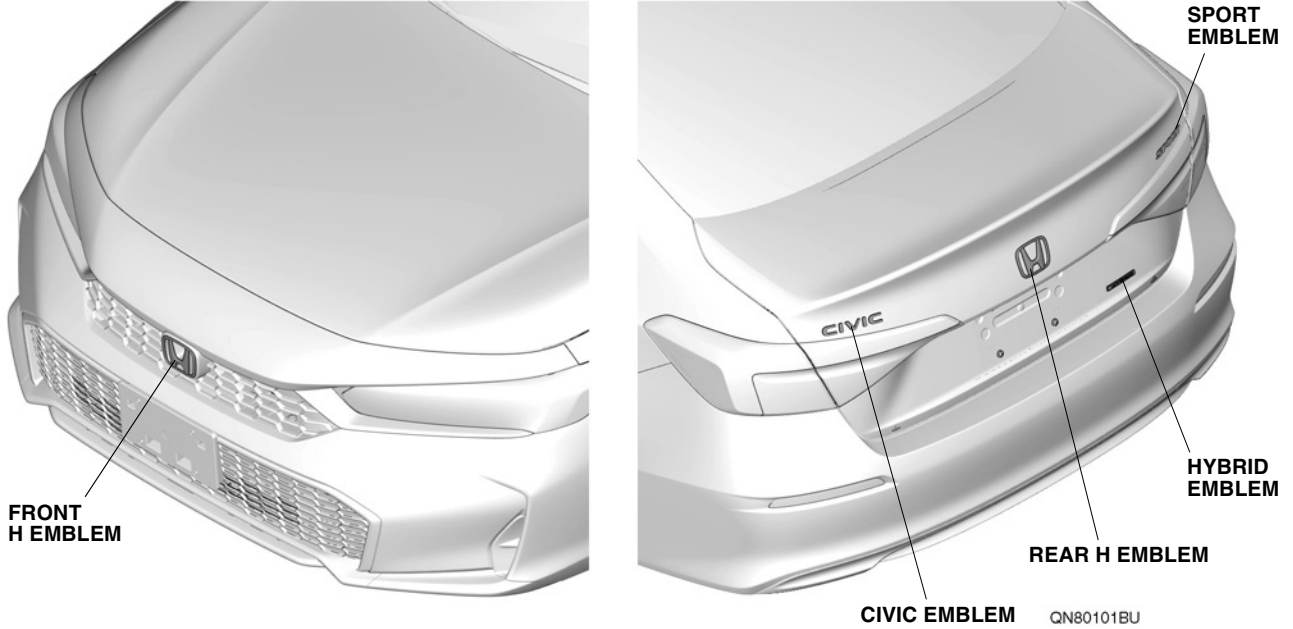




INSTALLATION INSTRUCTIONS

Accessory BLACK EMBLEMS	Application 2025 CIVIC MODEL SERIES	Publications No. VERSION 1
		Issue Date JUN 2024

GENERAL VIEW



FOR YOUR SAFETY (Read carefully.)

Warning Symbols

Safety: Your safety, and the safety of others, is important. To help you make informed decisions about service procedures, we have provided safety messages where appropriate. Of course, it is not practical or possible to warn you about all the hazards associated with servicing a vehicle - you must use your own good judgment.

You will find important safety messages preceded by one of the following symbols:

*All symbols are not used in all installation instructions.



DANGER You will be killed or seriously hurt if you do not follow the instructions.



WARNING You can be killed or seriously hurt if you do not follow the instructions.



CAUTION You can be hurt if you do not follow the instructions.



NOTICE Gives advice to prevent damage to the product, vehicle, the environment or other property.



NOTE Gives helpful information or instructions to be followed when installing this product.

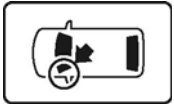


Indicates a prohibited action.

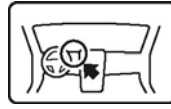
Procedure and Location Icons

These icons indicate the work location and the worker's point of view.

*All icons are not used in all installation instructions.



The location on the vehicle.



The location in the vehicle.
(Instrument panel.)



Wear eye protection.



Wear heavy gloves.



Use an assistant.



Place the part on a blanket.



Work perpendicular.



Remove any burrs.



Use touch-up paint and allow to dry.



Tighten to the specified torque.



Apply firm pressure while rolling, especially at the ends, to set the adhesive.



Press firmly.

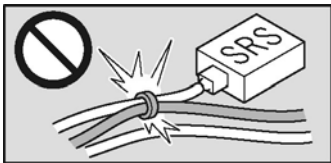


Clean with isopropyl alcohol.

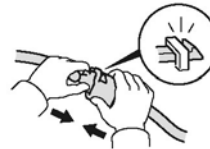


Return the original part to the customer.
(Do not reuse.)

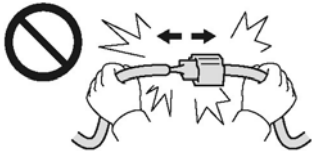
Wire Harness Routing Precaution



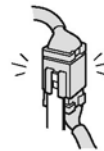
Do not secure the accessory harness to the SRS harness. (except for instruction cases.)



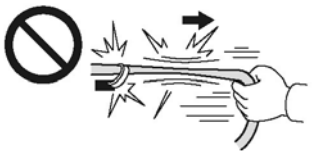
Push the connectors and terminals together until they lock.



Do not pull the harness to unplug the connectors.



Install removed connectors in their original location.



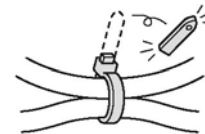
Do not pull the harness.



Secure the accessory harness as shown.



Do not pinch the harness.



Cut off the excess wire tie.

Safety: General

- Observe all safety notes and precautions described in the service information, in addition to those described in this Installation Instruction. Be extremely careful for your safety and the safety of others.
- Be careful not to damage the vehicle or the parts.
- Be extremely careful when handling retaining tabs and clips.
- Note the locations of the parts before removing them so they can be properly installed in their original positions.
- The illustrations may differ slightly from the actual accessory.

Safety: Electric Parts






Always disconnect the negative cable from the battery before beginning work.

Safety: Accessory

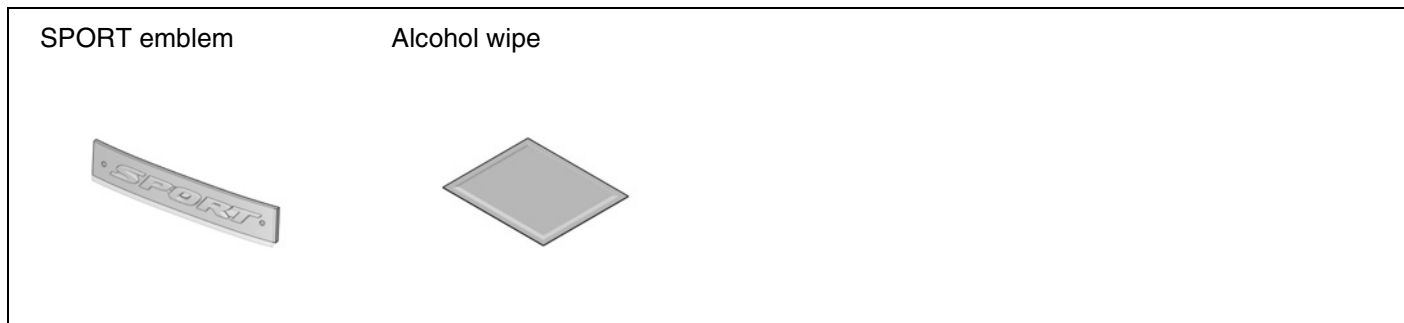
- Always use the parts and tools specified in the installation instructions.
- Do not install the accessory on a dirty surface or in direct sunlight.
- Make sure the ambient air temperature is 60°F (15°C) or above when installing accessories that use adhesive material.
- When pressing the accessory firmly with the palm of your hand, be careful not to damage it or the vehicle.
- When applying adhesive material, make sure it is lined up properly before attaching. Once the adhesive material touches the surface, do not try to remove it. If you do, you could damage the part.
- Do not wash the vehicle for 24 hours to allow the adhesive to cure.

PARTS LIST

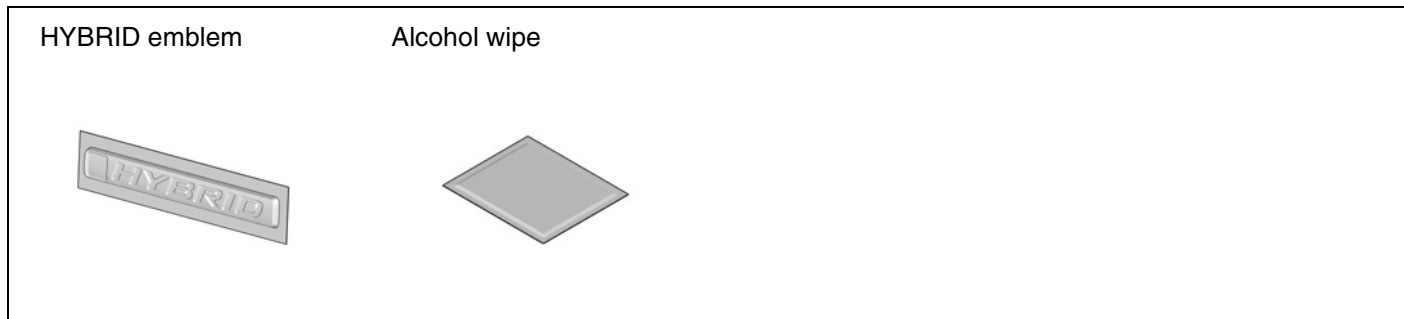
Black Emblems Kit (P/N 08F20-T20-100)

CIVIC emblem	Front H emblem	Rear H emblem	Push nuts (2)
			
Alcohol wipes (3)			
			

Black Sport Emblem Kit (P/N 08F20-TVA-100C)



Black Emblem Rear Hybrid Kit (P/N 08F20-T20-100B)



REQUIRED TOOLS AND SUPPLIES

- 10 mm Open end wrench
- Phillips screwdriver
- Blanket
- Utility knife
- Ratchet
- Masking tape
- String
- 6 mm and 10 mm Sockets
- Diagonal cutters
- Needle nose pliers

The following tools are available through the Honda Tool and Equipment Program:

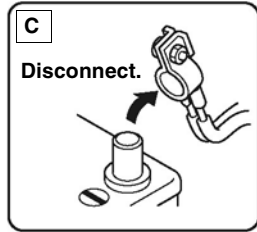
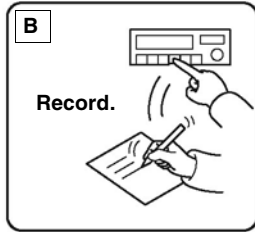
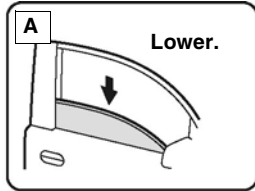
- Trim Tool Set (T/N SOJATP2014)
- Rubber Roller (T/N MHLE54D)
- Plastic Trim Tool (T/N SILTRIMTL10)
- Push Pin Pliers (T/N 07AAC-001A101)

INSTALLATION

1. Disconnect the negative cable from the battery.

NOTE

With the driver's door open, turn the vehicle to the OFF (LOCK) mode, then wait at least 3 minutes before disconnecting the 12 volt negative battery cable.

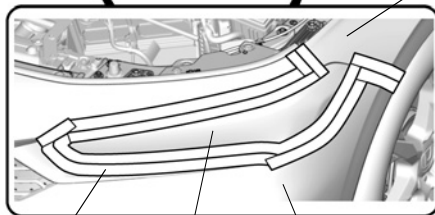
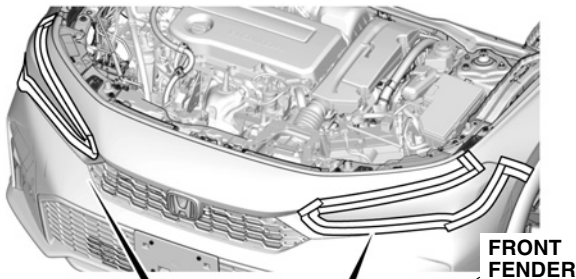
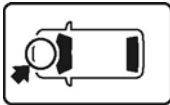


QCD0502BM

2. Attach masking tape to protect the vehicle.

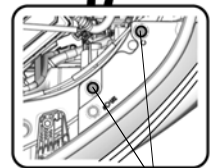
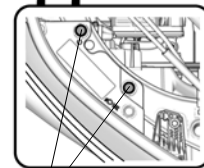
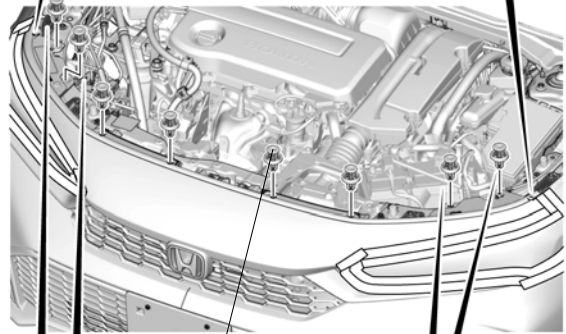
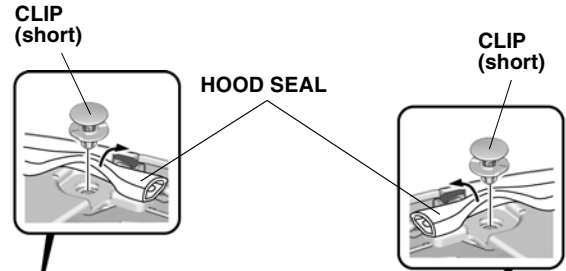
NOTE

Do not remove the masking tape until after the parts are installed.



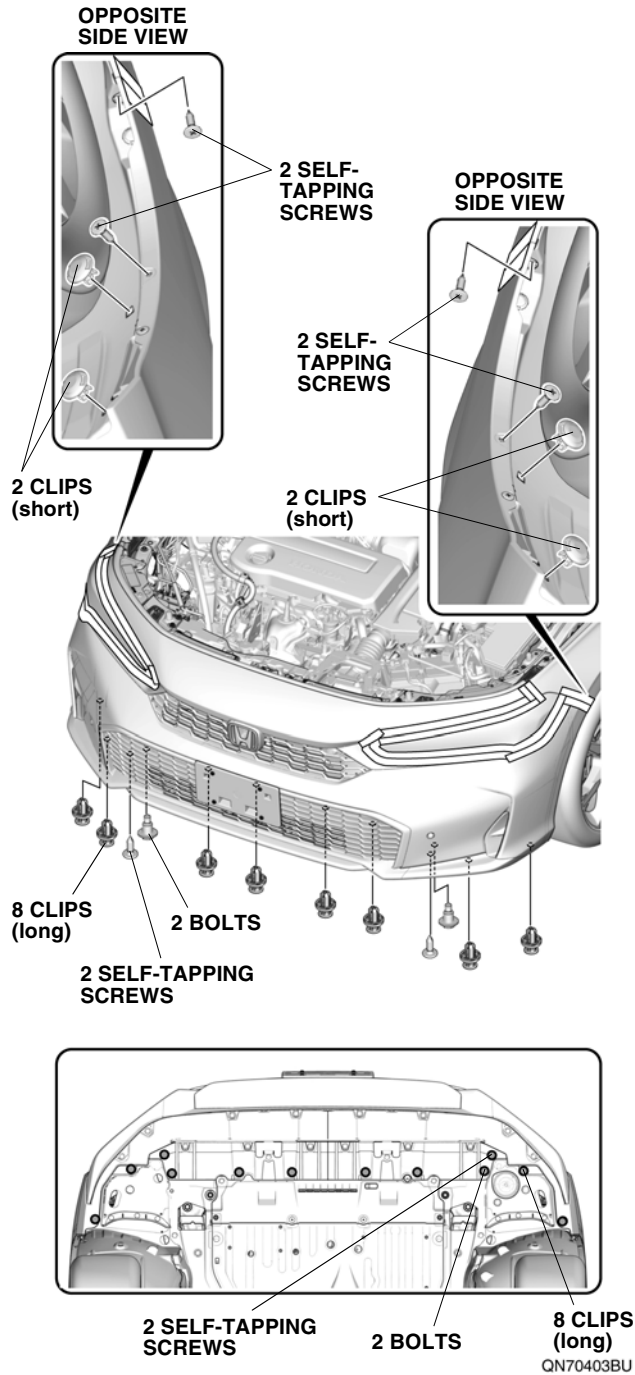
QN70401AU

3. Remove the clips.



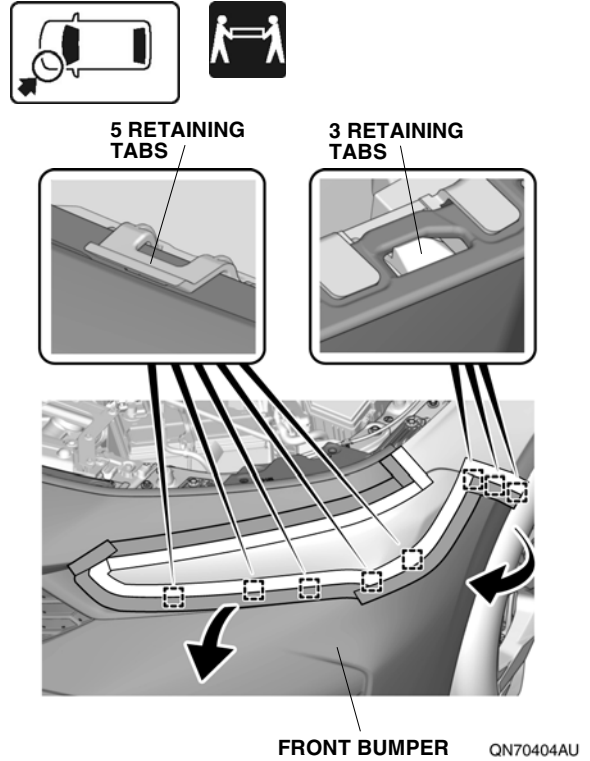
QN70402AU

4. Remove the self-tapping screws, clips, and bolts.



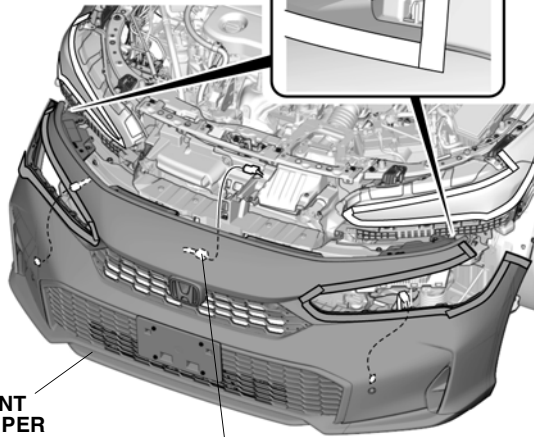
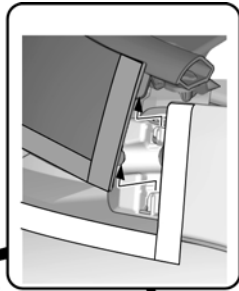
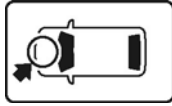
5. Release the retaining tabs.

NOTE
<ul style="list-style-type: none"> • Release the retaining tabs in order starting from the outside. • Make sure to release the retaining tabs in the correct orientation.



6. Repeat step 5 on the other side.

7. Remove the front bumper.



FRONT BUMPER

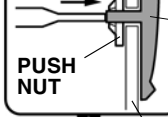
VEHICLE CONNECTORS (if equipped)

QN70405AU

8. Remove the front H emblem.

SECTION VIEW

Press the tip of pins.



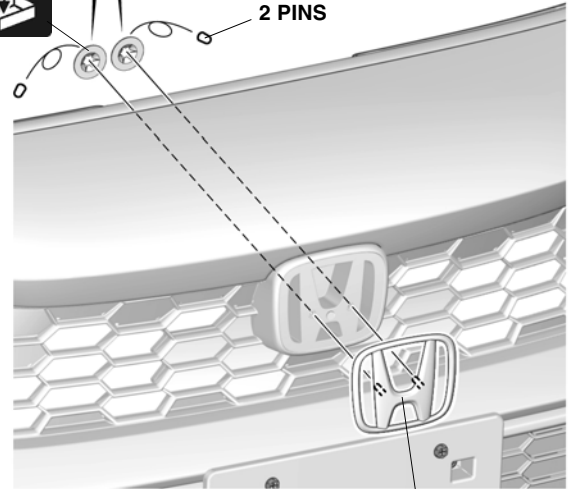
FRONT H EMBLEM

2 PUSH NUTS

FRONT GRILLE



2 PINS



FRONT H EMBLEM

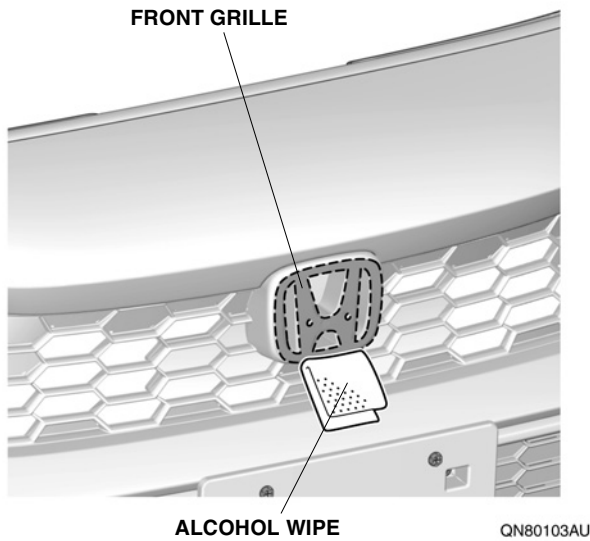
QN80102AU



9. Clean the front grille.

NOTE

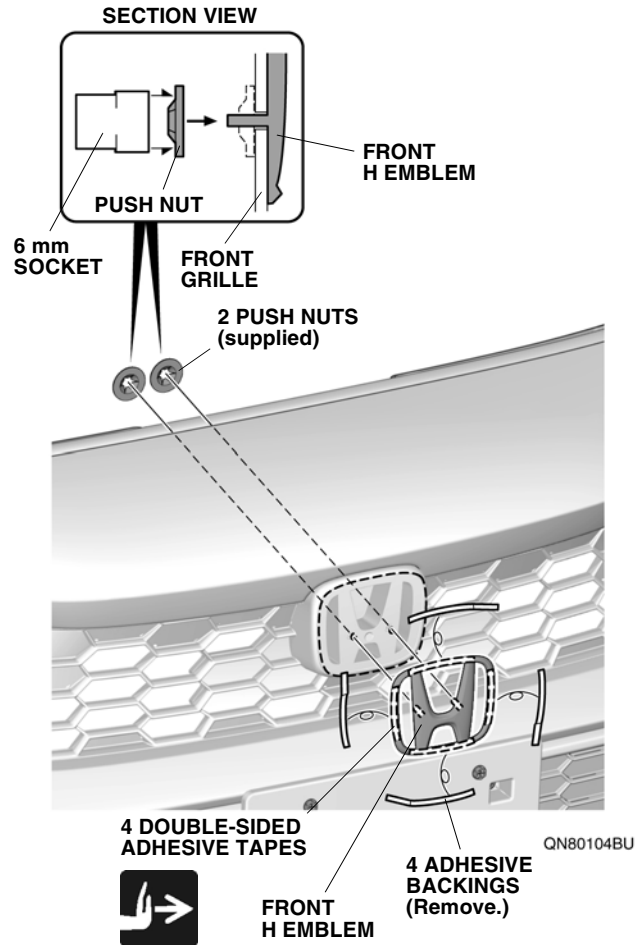
Allow to dry thoroughly.



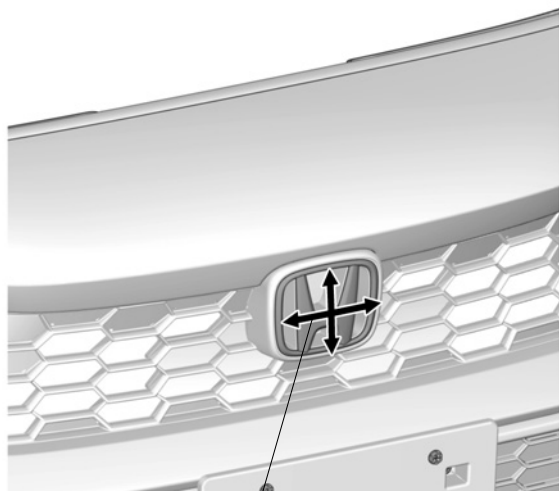
10. Install the front H emblem.

NOTE

- Check the orientation of the push nuts.
- Check the position of double-sided adhesive tape and make sure to press firmly.

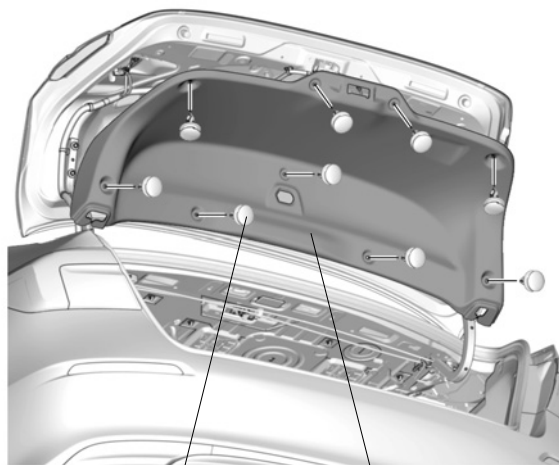
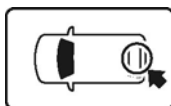


11. Secure the front H emblem.



QN80105AU

12. Remove the trunk lid trim panel.



9 CLIPS

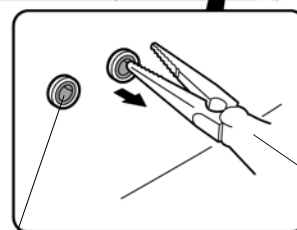
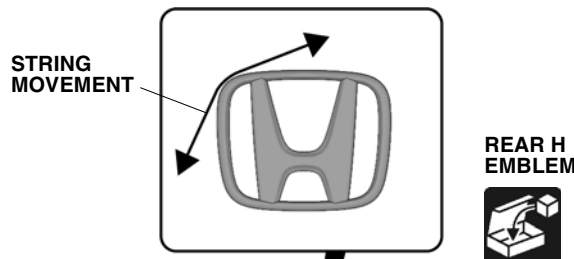
TRUNK LID TRIM PANEL

QK30102AR

13. Remove the rear H emblem.

NOTE

- Do not damage the trunk lid when removing the rear H emblem with the string.
- Make sure to thoroughly remove the adhesive tape from the trunk lid.



2 CLIPS

NEEDLE NOSE PLIERS

2 CLIPS

IF CLIP REMAINS

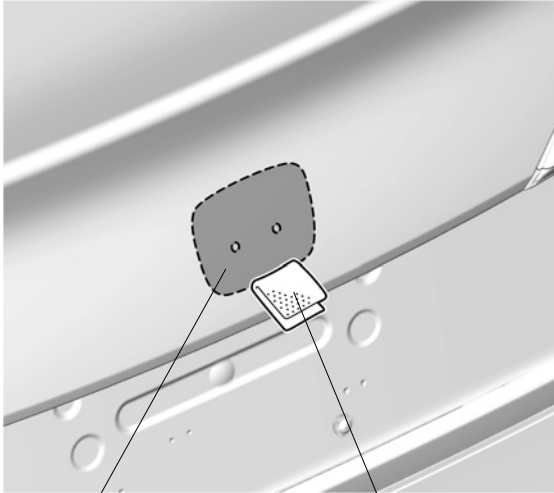


QK40104BU

14. Clean the trunk lid.

NOTE

Allow to dry thoroughly.



TRUNK LID

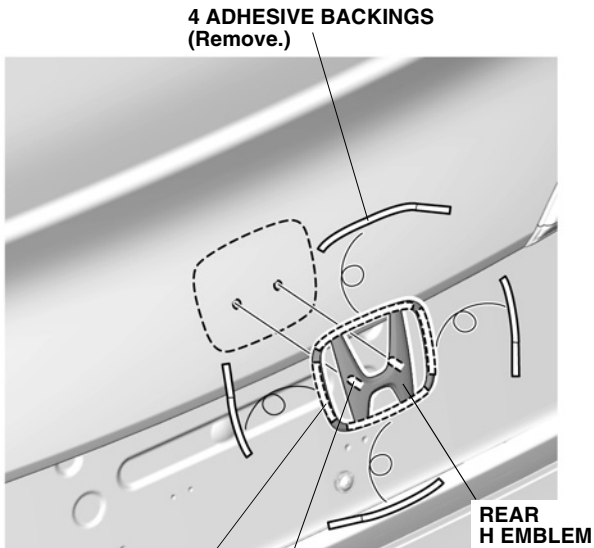
ALCOHOL WIPE

QK40105AU

15. Install the rear H emblem.

NOTE

Check the position of double-sided adhesive tape and make sure to press firmly.



4 ADHESIVE BACKINGS
(Remove.)

REAR
H EMBLEM

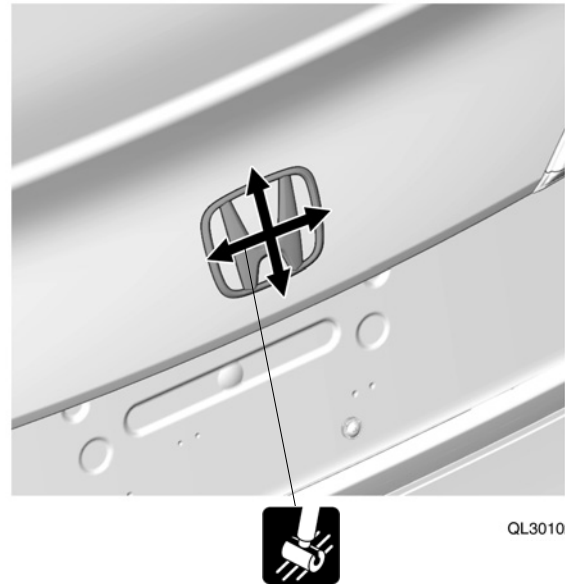
4 DOUBLE-SIDED
ADHESIVE TAPES

2 CLIPS

QN80106AU

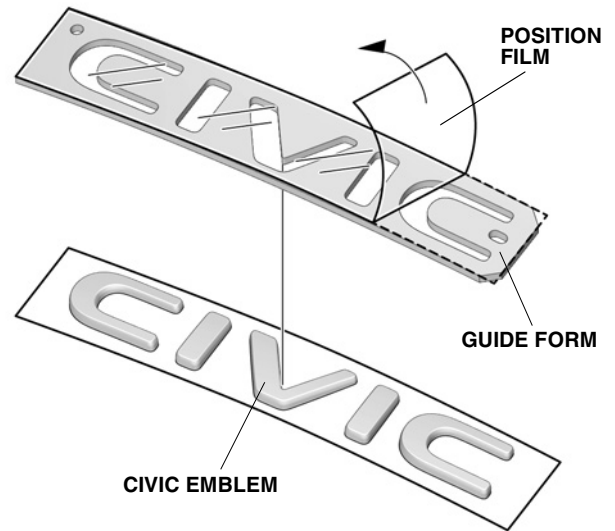


16. Secure the rear H emblem.



QL30102AU

17. Remove the guide form.



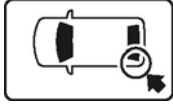
POSITION
FILM

GUIDE FORM

CIVIC EMBLEM

QK40107AU

18. Install the guide form.



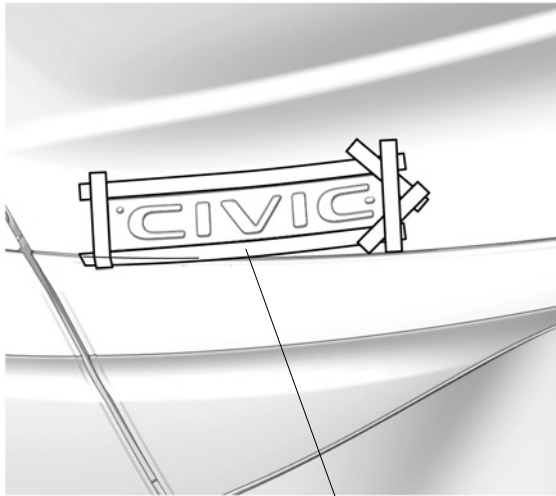
TRUNK LID



CIVIC EMBLEM

QK40108AU

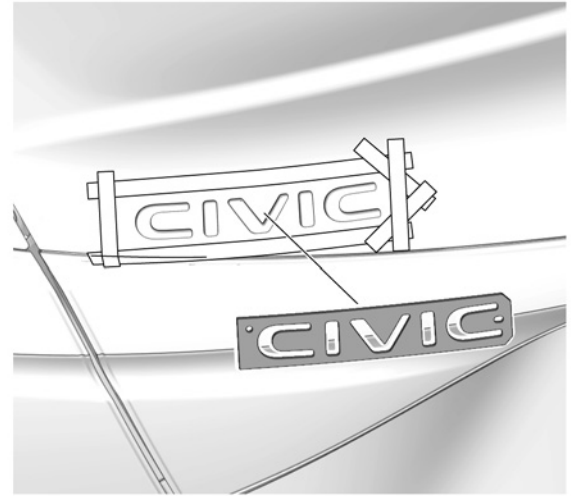
19. Attach the masking tape.



MASKING TAPE

QK40109AU

20. Remove the guide form.



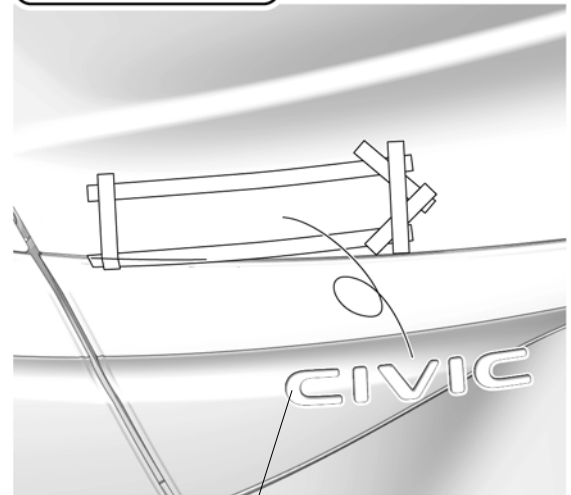
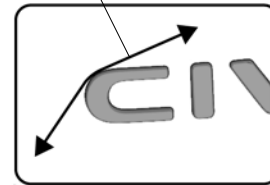
QK40110AU

21. Remove the CIVIC emblem.

NOTE

- Do not damage the trunk lid when removing the CIVIC emblem with the string.
- Make sure to thoroughly remove the adhesive tape from the trunk lid.

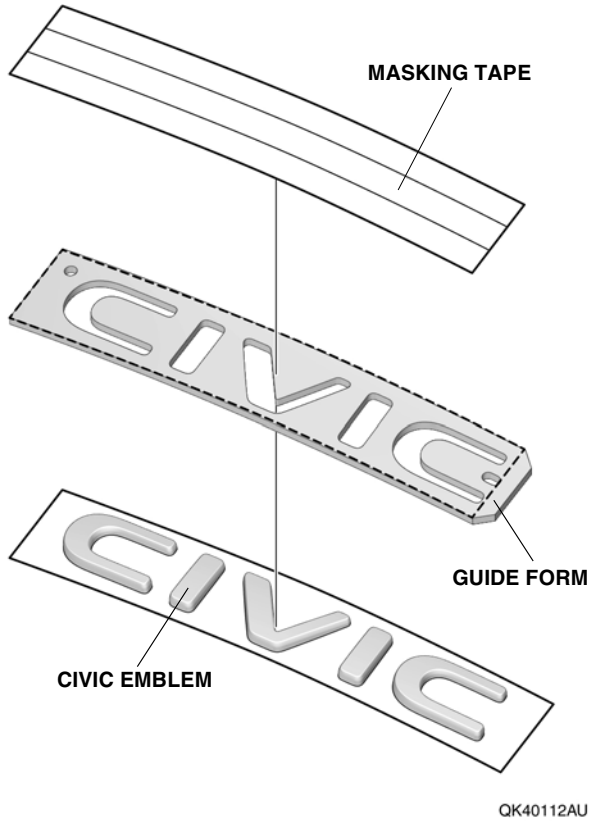
STRING MOVEMENT



QK40111AU



22. Install the guide form.

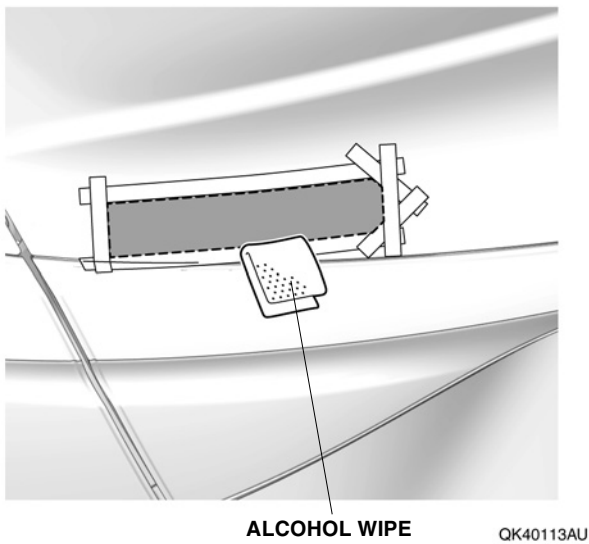


23. Attach the masking tape.

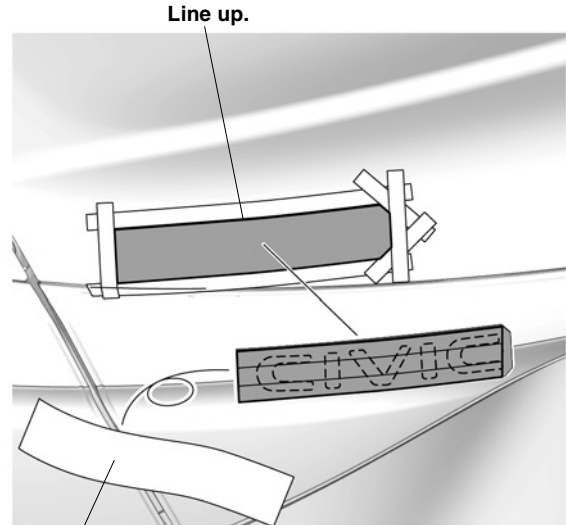
24. Clean the trunk lid.

NOTE

Allow to dry thoroughly.



25. Line up the guide form.



ADHESIVE BACKING
(Remove.)

QK40114AU

26. Attach the CIVIC emblem.

NOTE

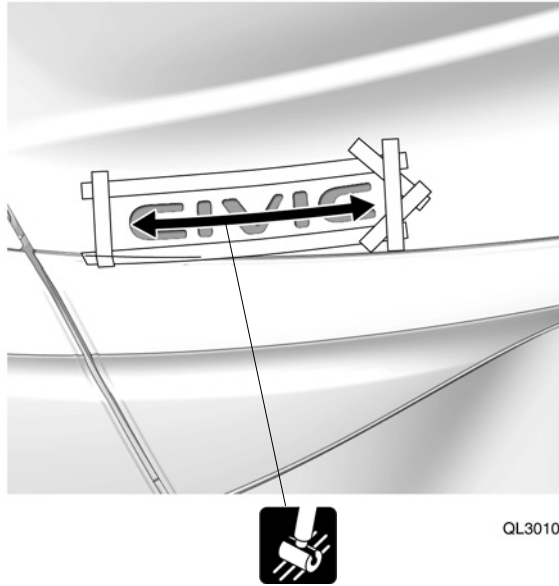
Check the position of double-sided adhesive tape and make sure to press firmly.

5 DOUBLE-SIDED
ADHESIVE TAPES



27. Remove the guide form.

28. Secure the CIVIC emblem.

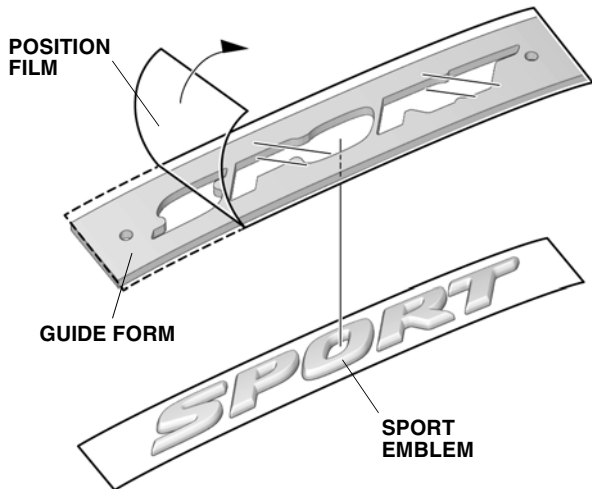


29. Remove the masking tape.

30. Choose one of these options.

- With SPORT emblem Go to step 31
- Without SPORT emblem Go to step 59

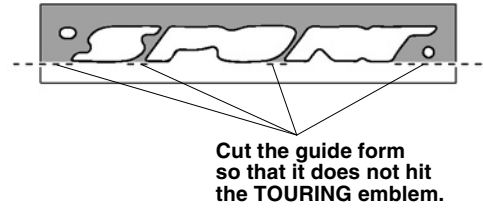
31. Remove the guide form.



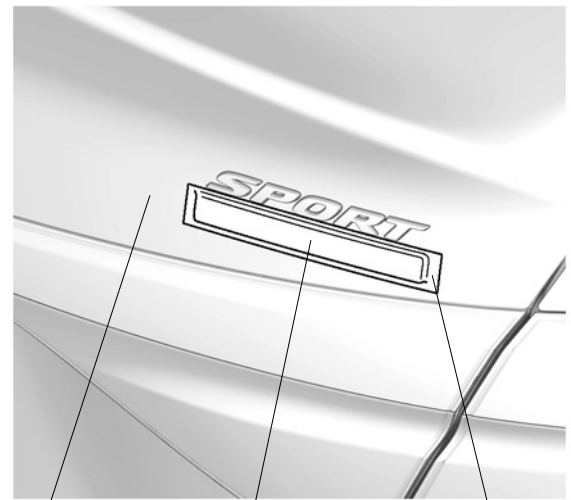
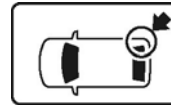
32. Choose one of these options.

- With TOURING grade emblem Go to step 33
- Without TOURING grade emblem Go to step 47

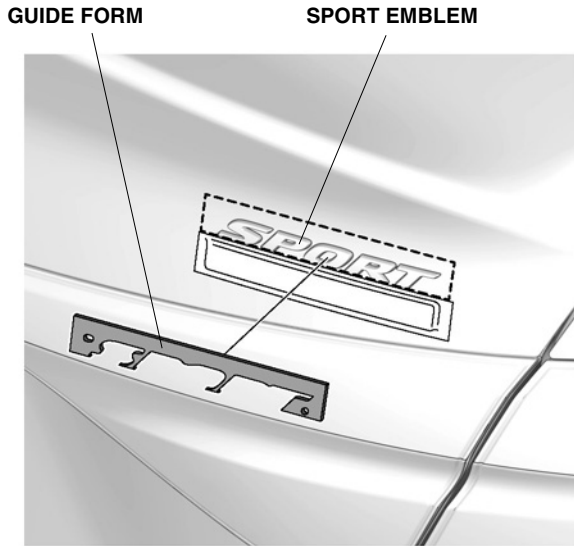
33. Cut the guide form.



34. Apply masking tape to protect the vehicle.

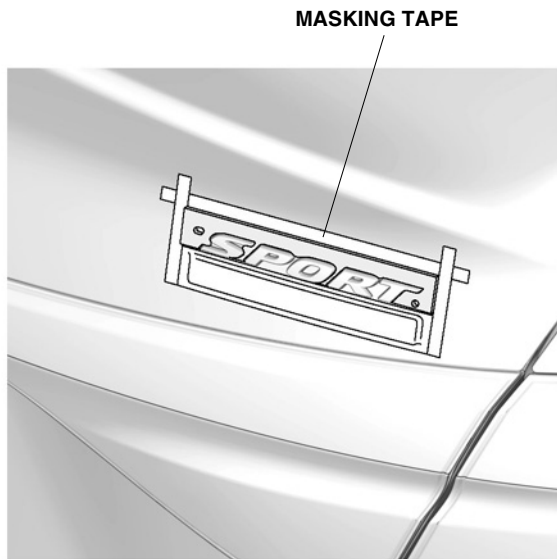


35. Install the guide form.



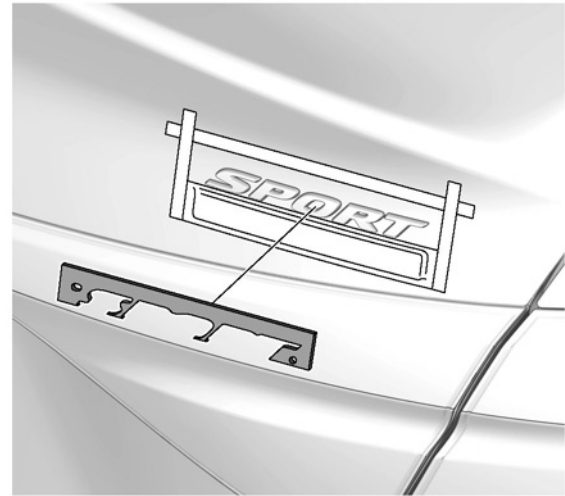
QP12503AK

36. Attach the masking tape.



QP12504BK

37. Remove the guide form.



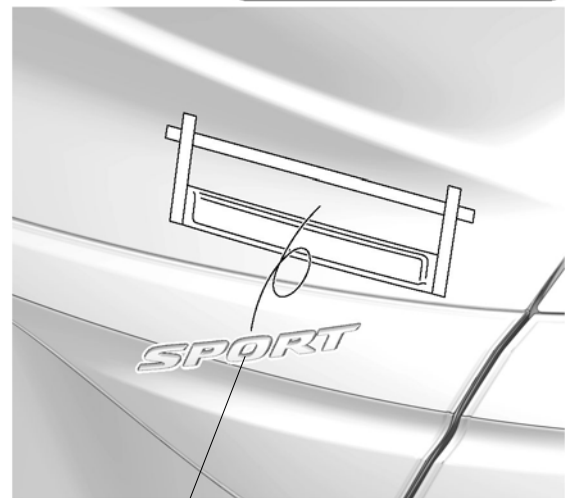
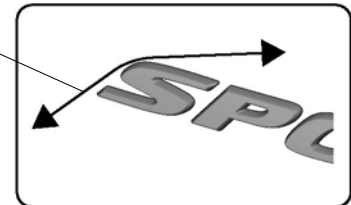
QP12505AK

38. Remove the SPORT emblem.

NOTE

- Do not damage the trunk lid when removing the SPORT emblem with the string.
- Make sure to thoroughly remove the adhesive tape from the trunk lid.

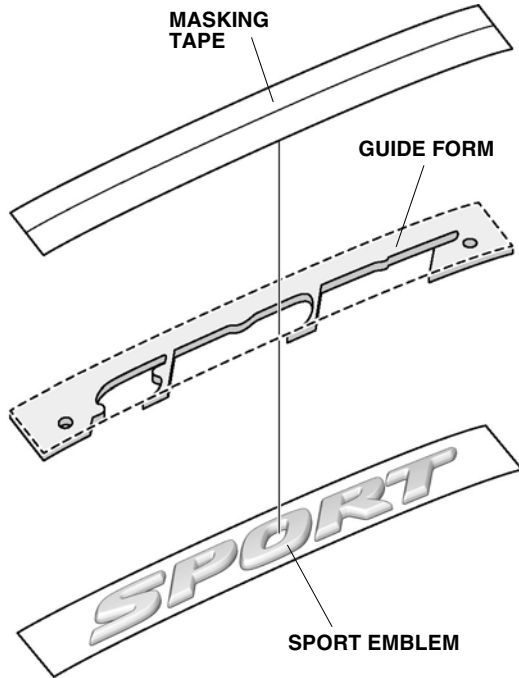
STRING
MOVEMENT



QP12506AK



39. Install the guide form.



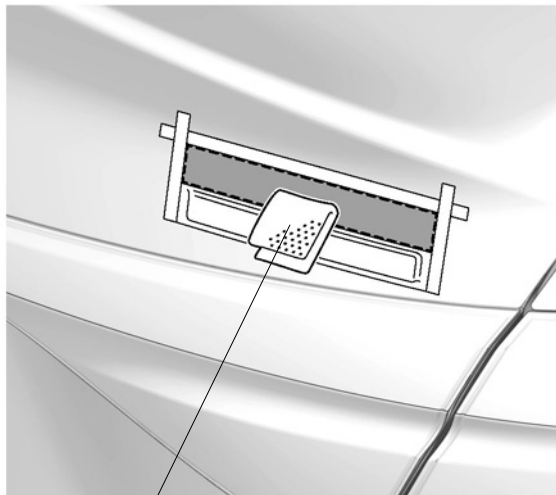
QP12507BK

40. Attach the masking tape.

41. Clean the trunk lid.

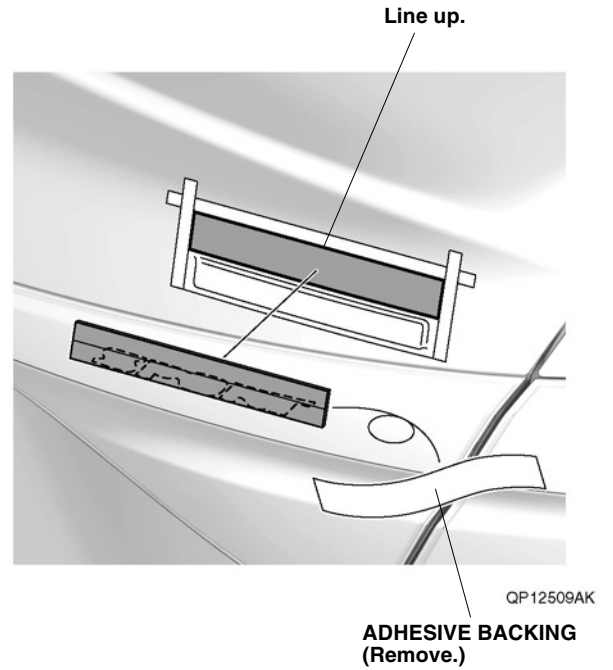
NOTE

Allow to dry thoroughly.



QP12508AK

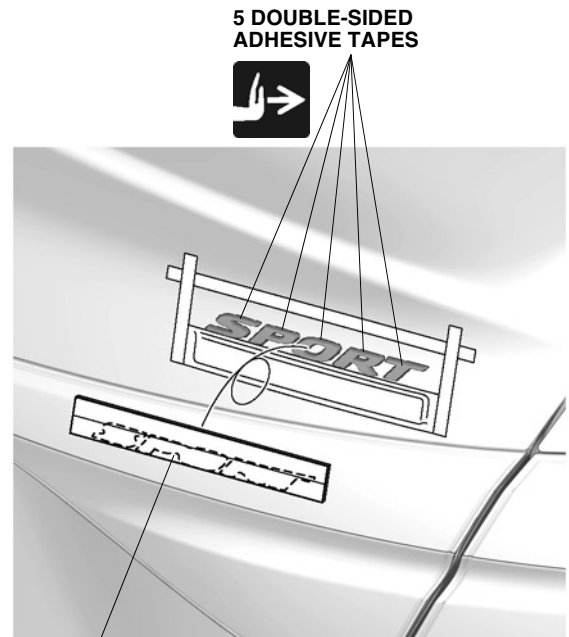
42. Line up the guide form.



43. Attach the SPORT emblem.

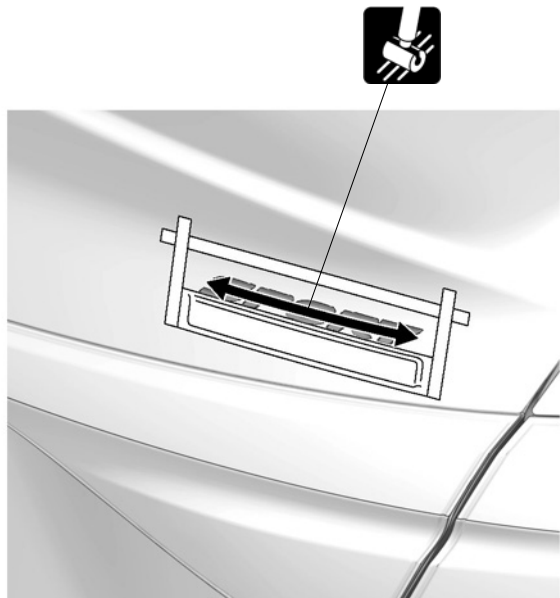
NOTE

Check the position of double-sided adhesive tape and make sure to press firmly.



44. Remove the guide form.

45. Secure the SPORT emblem.

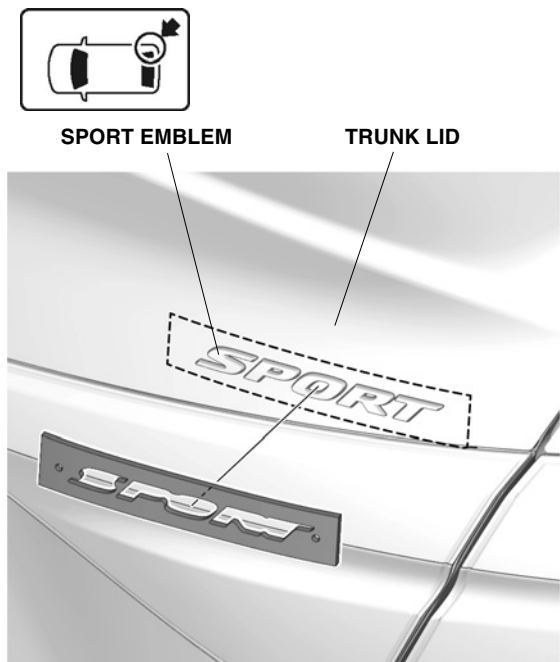


QP12511AK

46. Remove the masking tape.

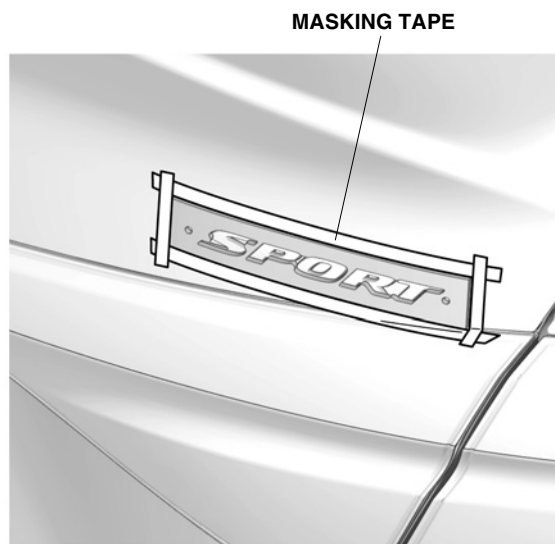
Go to step 59

47. Install the guide form.



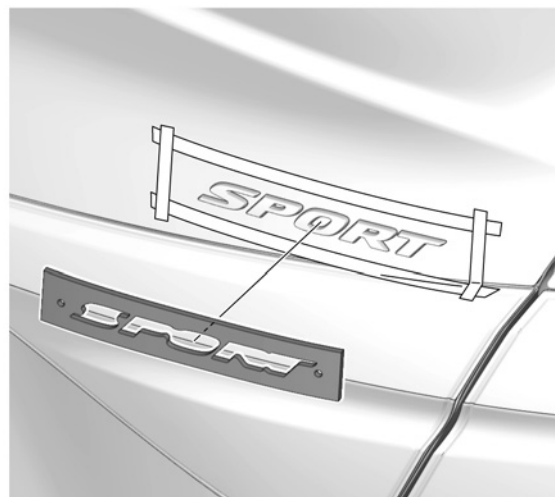
QK40203AU

48. Attach the masking tape.



QK40204AU

49. Remove the guide form.



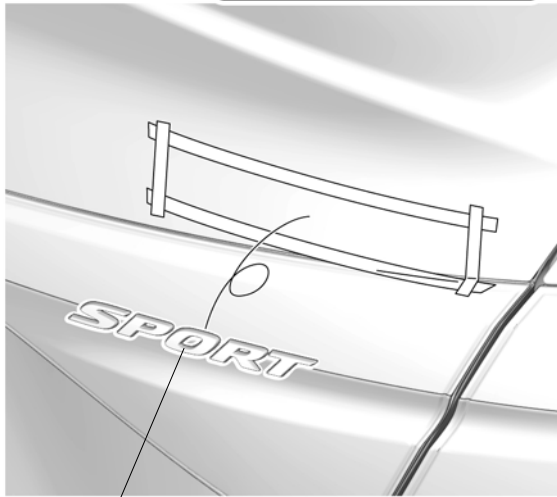
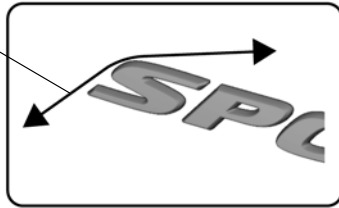
QK40205AU

50. Remove the SPORT emblem.

NOTE

- Do not damage the trunk lid when removing the SPORT emblem with the string.
- Make sure to thoroughly remove the adhesive tape from the trunk lid.

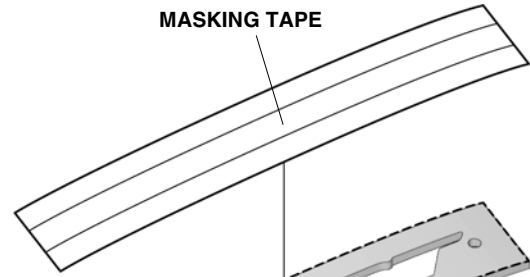
STRING
MOVEMENT



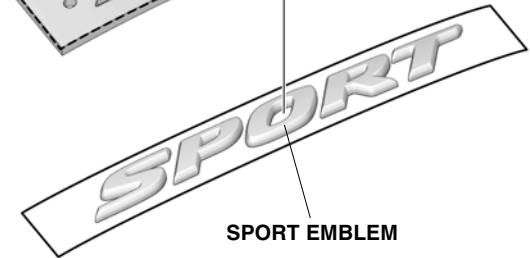
QK40206AU

51. Install the guide form.

MASKING TAPE



GUIDE FORM



SPORT EMBLEM

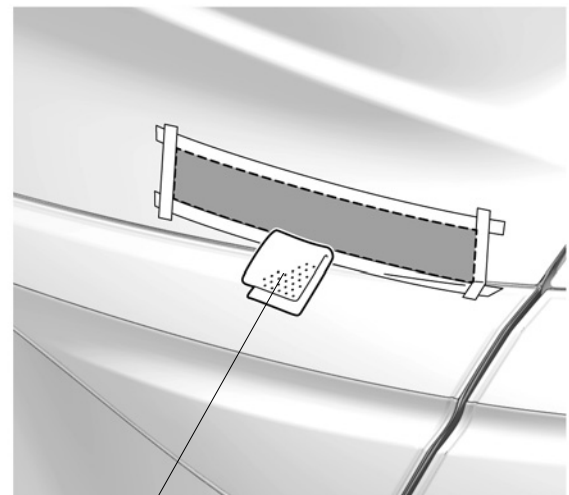
QK40207AU

52. Attach the masking tape.

53. Clean the trunk lid.

NOTE

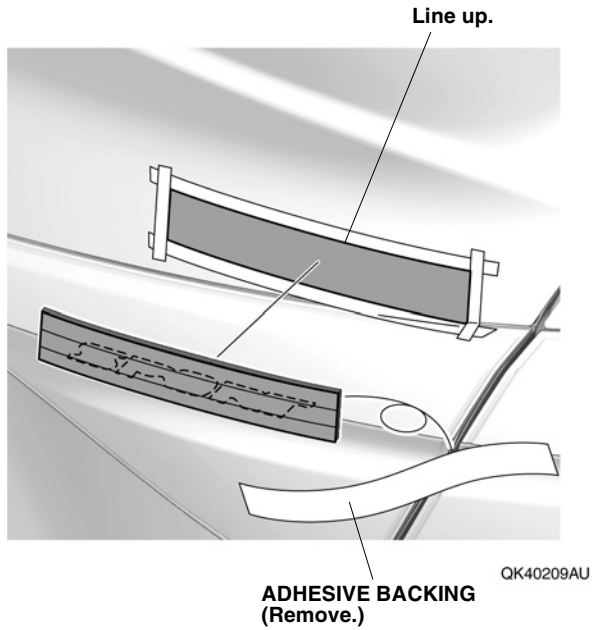
Allow to dry thoroughly.



ALCOHOL WIPE

QK40208AU

54. Line up the guide form.

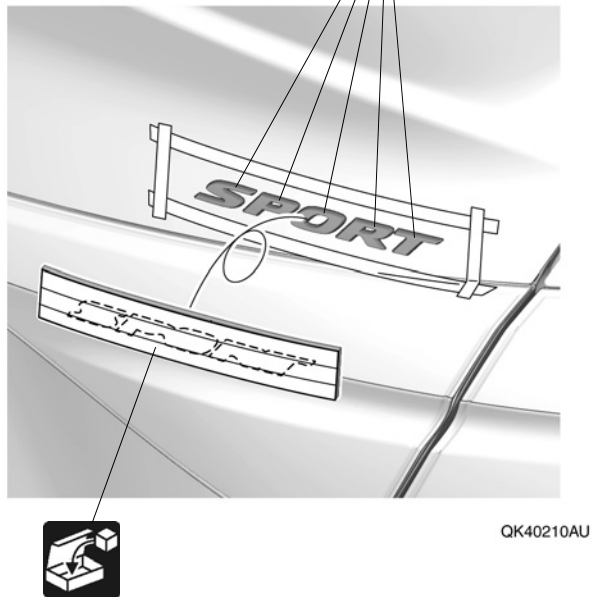


55. Attach the SPORT emblem.

NOTE

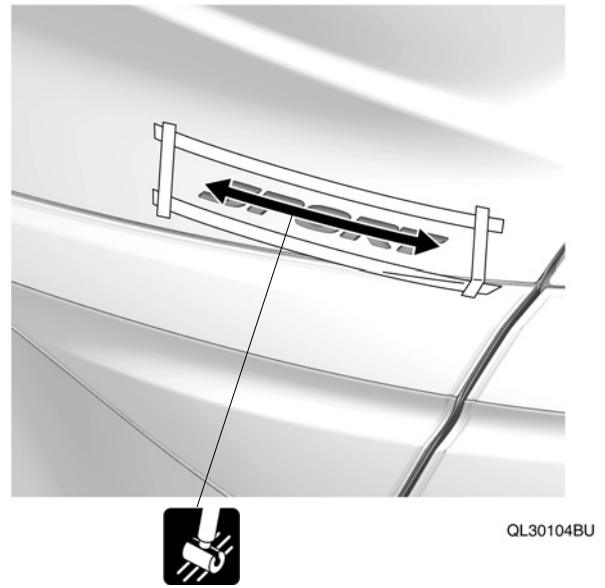
Check the position of double-sided adhesive tape and make sure to press firmly.

5 DOUBLE-SIDED ADHESIVE TAPES



56. Remove the guide form.

57. Secure the SPORT emblem.

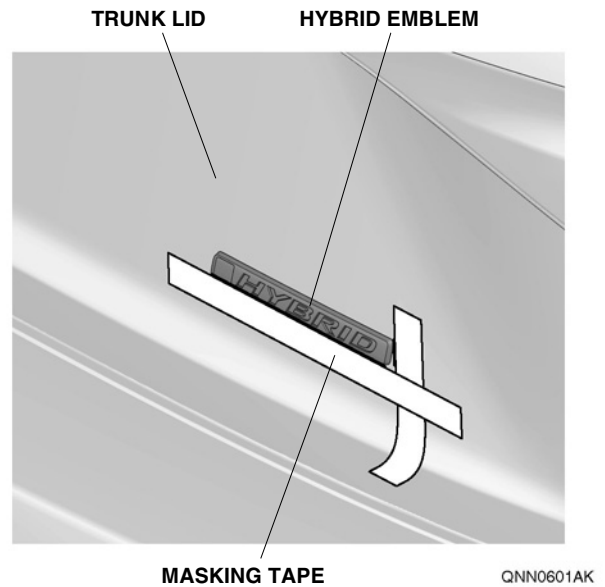


58. Remove the masking tape.

59. Choose one of these options.

- With HYBRID emblem Go to step 60
- Without HYBRID emblem Go to step 67

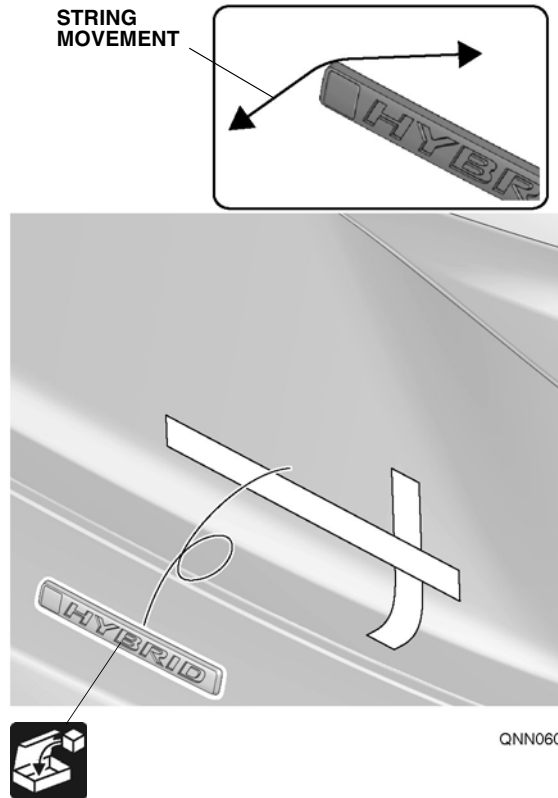
60. Attach the masking tape.



61. Remove the HYBRID emblem.

NOTE

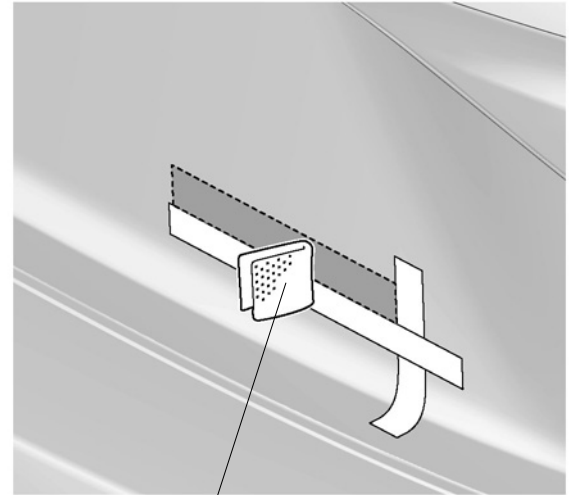
- Do not damage the trunk lid when removing the HYBRID emblem with the string.
- Make sure to thoroughly remove the adhesive tape from the trunk lid.



62. Clean the trunk lid.

NOTE

Allow to dry thoroughly.



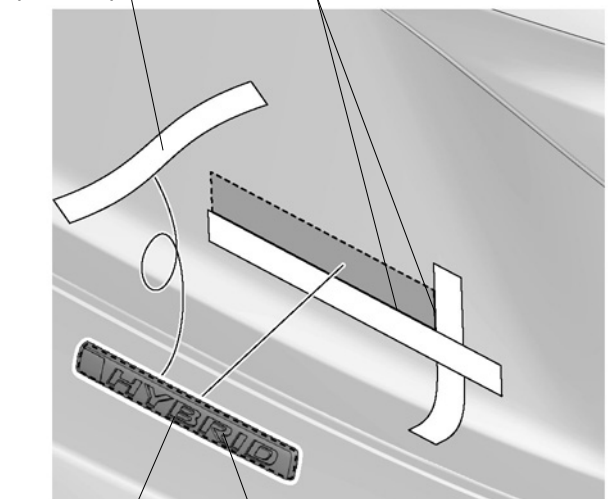
63. Attach the HYBRID emblem.

NOTE

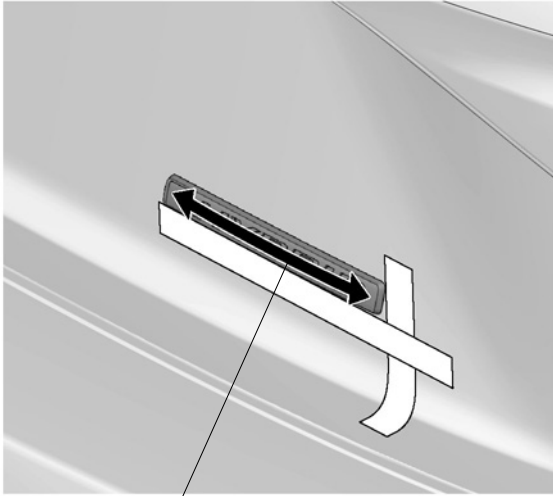
Check the position of double-sided adhesive tape and make sure to press firmly.

ADHESIVE BACKING
(Remove.)

Line up.



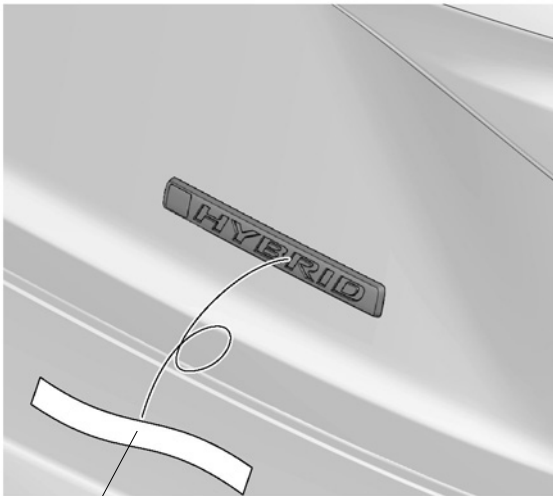
64. Secure the HYBRID emblem.



QNN0605BK



65. Remove the film.



QNN0606BK

FILM
(Remove.)

66. Remove the masking tape.

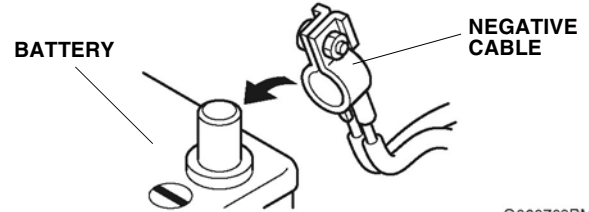
67. Check that all parts are installed and properly routed.

NOTE

- Check that all harnesses are not pulled or pinched.
- Make sure all clips and wire ties are securely installed.

68. Install all removed parts.

69. Connect the negative cable to the battery.



Q060702BM

70. Make sure all accessories and systems operate properly.

71. If necessary, restore the systems back to normal operation as described in the service information.

72. Press and hold the audio unit power button for 2 seconds to restore the audio and navi (if equipped) system functions.