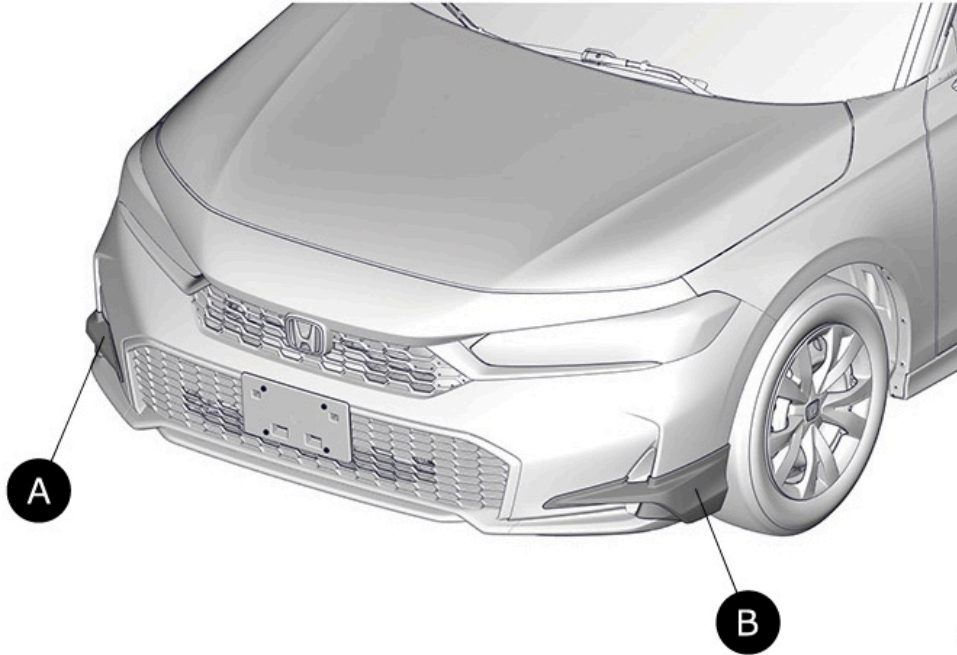


FRONT UNDER SPOILERS	2025 CIVIC MODEL SERIES	Publications No. VERSION 1
----------------------	----------------------------	-------------------------------

GENERAL VIEW



QN72401AJ

A	RIGHT SPOILER
B	LEFT SPOILER

FOR YOUR SAFETY (Read carefully.)

Warning Symbols

Safety: Your safety, and the safety of others, is important. To help you make informed decisions about service procedures, we have provided safety messages where appropriate. Of course, it is not practical or possible to warn you about all the hazards associated with servicing a vehicle - you must use your own good judgment.

You will find important safety messages preceded by one of the following symbols:

*All symbols are not used in all installation instructions.

DANGER

You will be killed or seriously hurt if you do not follow the instructions.

WARNING

You can be killed or seriously hurt if you do not follow the instructions.

CAUTION

You can be hurt if you do not follow the instructions.

NOTICE

Gives advice to prevent damage to the product, vehicle, the environment or other property.

NOTE

Gives helpful information or instructions to be followed when installing this product.

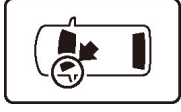
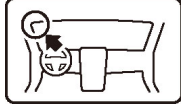














Indicates a prohibited action.

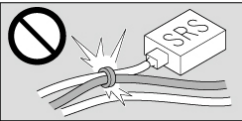

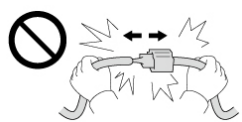
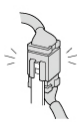
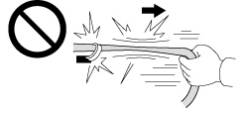


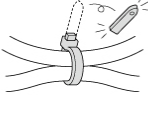
Procedure and Location Icons

These icons indicate the work location and the worker's point of view.

*All icons are not used in all installation instructions.

	The location on the vehicle.		The location in the vehicle. (Instrument panel.)
	Wear eye protection.		Wear heavy gloves.
	Use an assistant.		Place the part on a blanket.
	Work perpendicular.		Remove any burrs.
	Use touch-up paint and allow to dry.		Tighten to the specified torque.
	Apply firm pressure while rolling, especially at the ends, to set the adhesive.		Press firmly.
	Clean with isopropyl alcohol.		Return the original part to the client. (Do not reuse.)

Wire Harness Routing Precaution

	<p>Do not secure the accessory harness to the SRS harness. (except for instruction cases.)</p>		<p>Push the connectors and terminals together until they lock.</p>
	<p>Do not pull the harness to unplug the connectors.</p>		<p>Install removed connectors in their original location.</p>
	<p>Do not pull the harness.</p>		<p>Secure the accessory harness as shown.</p>
	<p>Do not pinch the harness.</p>		<p>Cut off the excess wire tie.</p>

Safety: General

- Observe all safety notes and precautions described in the service information, in addition to those described in this Installation Instruction. Be extremely careful for your safety and safety of others.
- Always use the parts and tools specified in the installation instructions.
- Be careful not to damage the vehicle or the parts.
- Be extremely careful when handling retaining tabs and clips.
- Note the locations of the parts before removing them so they can be properly installed in their original positions.
- The illustrations may differ slightly from the actual accessory.

Safety: Electric Parts








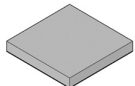
Always disconnect the negative cable from the battery before beginning work.

Safety: Accessory

- Do not install the accessory on a dirty surface or in direct sunlight.
- Make sure the ambient air temperature is 60°F (15°C) or above when installing accessories that use a bonding material.
- When pressing the accessory firmly with the palm of your hand, be careful not to damage it or the vehicle.
- When applying adhesive material, make sure it is lined up properly before attaching. Once the adhesive material touches the surface, do not try to remove it. If you do, you could damage the part before the adhesive releases.
- Do not wash the vehicle for 24 hours to allow the adhesive to cure.

PARTS LIST

Front Under Spoilers Kit (P/N 08F01-T20-100A)

Parts	Parts name	QTY	Remarks
	Right spoiler	1	
	Left spoiler	1	
	Clip A	2	
	Clip B	2	
	Self-tapping screw	4	
	Washer	4	
	Alcohol wipe	2	
	Seal	2	

REQUIRED TOOLS AND SUPPLIES

- 10 mm Open end wrench
- Ratchet
- 10 mm Socket
- Phillips screwdriver
- File
- Pushpin
- Masking tape
- Diagonal cutters
- Blanket
- Drill
- Eye protection (face shield, safety goggles, etc.)
- 3 mm, 6 mm, 8 mm, and 10 mm Drill bits
- Felt-tip pen

The following tools are available through the Honda Tool and Equipment Program:

- Trim Tool Set (T/N SOJATP2014)
- Rubber Roller (T/N MHLE54D)
- Plastic Trim Tool (T/N SILTRIMTL10)

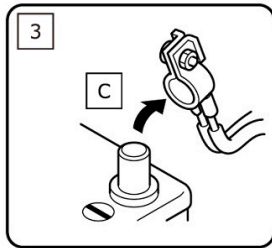
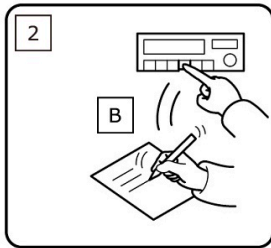
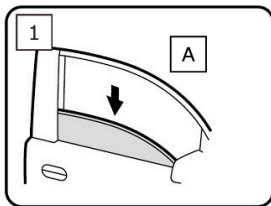
INSTALLATION

■ Disconnecting the Battery Cable

- 1 Disconnect the negative cable from the battery.

NOTE

With the driver's door open, turn the vehicle to the OFF (LOCK) mode, then wait at least 3 minutes before disconnecting the 12 volt negative battery cable.



QCD0502BM

A	Lower.
B	Record.
C	Disconnect.

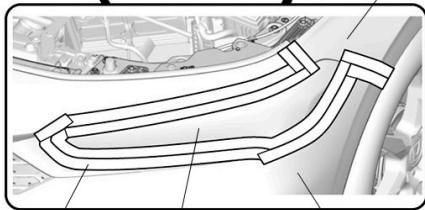
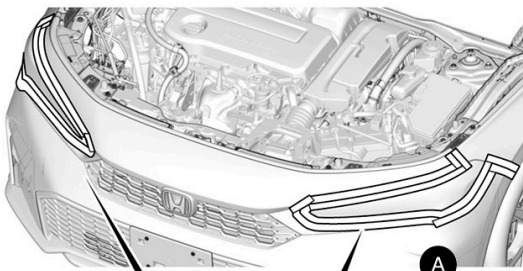
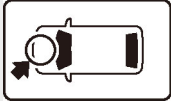
Removing the Vehicle Parts

● Front Bumper

2 Attach masking tape to protect the vehicle.

NOTE

Do not remove the masking tape until after the parts are installed.



C

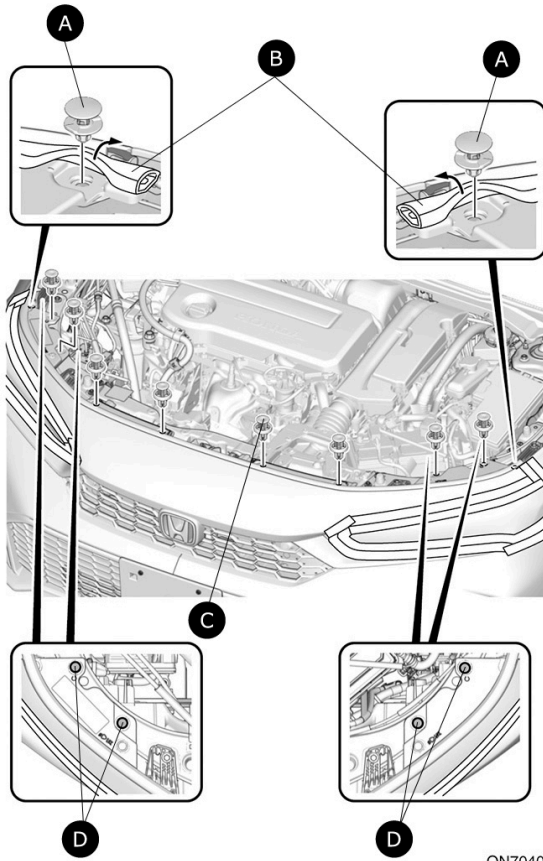
D

B

QN70401AU

A	FRONT FENDER
B	FRONT BUMPER
C	MASKING TAPE
D	HEADLIGHT

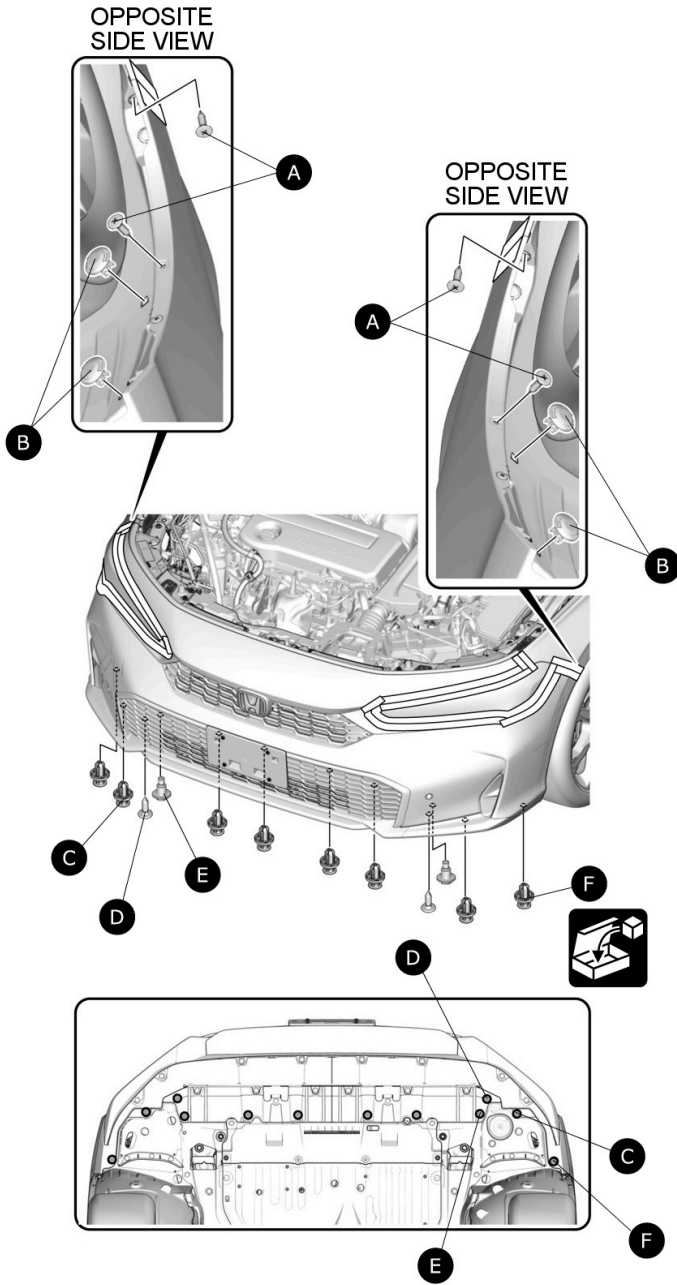
3 Remove the clips.



A	CLIP (short)
B	HOOD SEAL
C	CLIP(4)
D	CLIP(2)

QN70402AU

4 Remove the self-tapping screws, clips, and bolts.

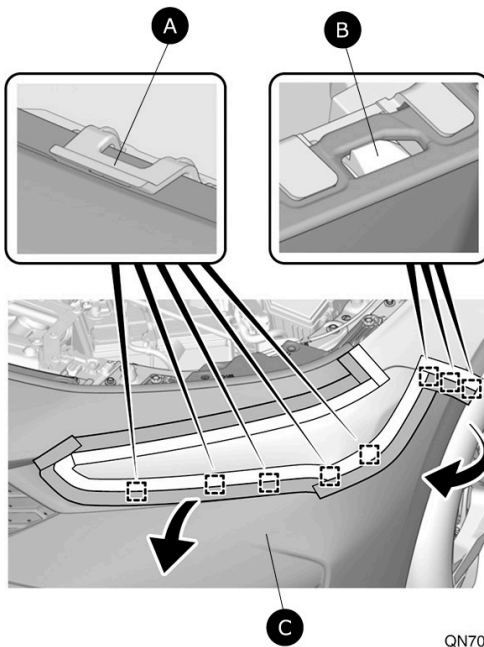
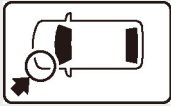


A	SELF-TAPPING SCREW(2)
B	CLIP (short)(2)
C	CLIP (long)(6)
D	SELF-TAPPING SCREW(2)
E	BOLT(2)
F	CLIP (long)(2)

5 Release the retaining tabs.

NOTICE

- Release the retaining tabs in order starting from the outside.
- Make sure to release the retaining tabs in the correct orientation.

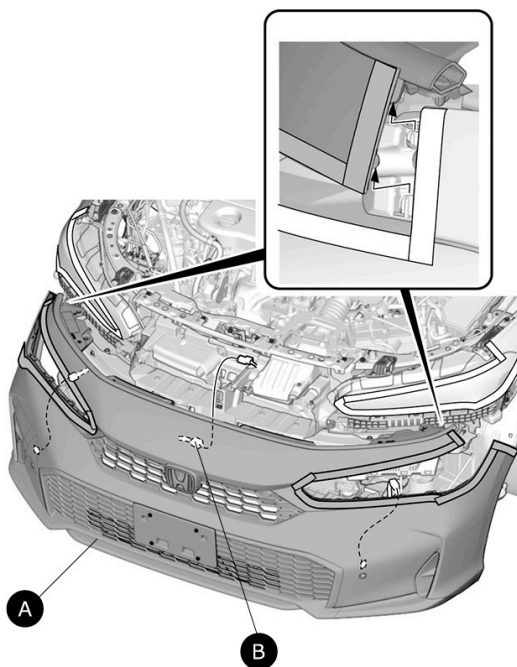
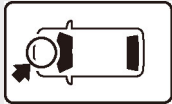


QN70404AU

A	RETAINING TAB(5)
B	RETAINING TAB(3)
C	FRONT BUMPER

6 Repeat step 5 on the other side.

7 Remove the front bumper.

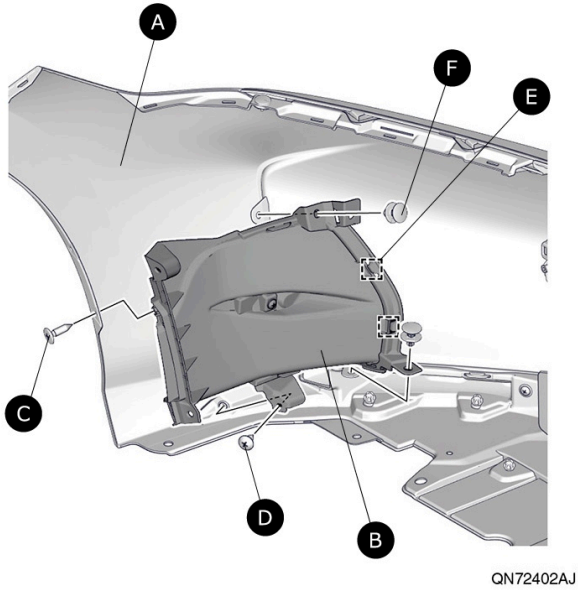


A	FRONT BUMPER
B	VEHICLE CONNECTORS(if equipped)

QN70405AU

Installing the Spoilers

8 Remove the left side duct.

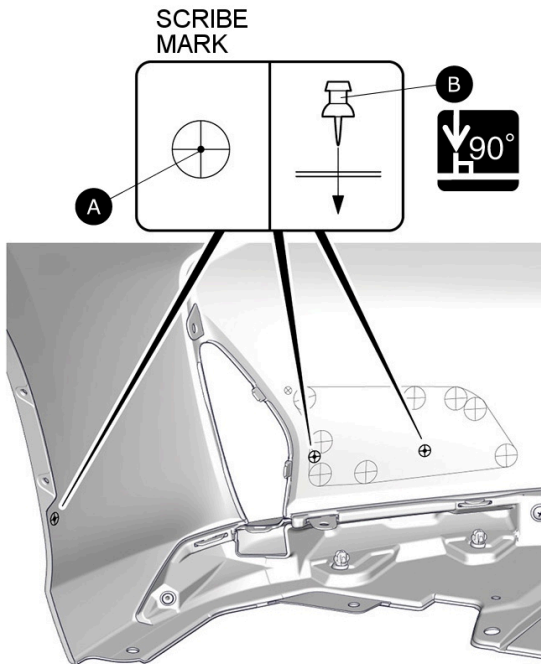


A	FRONT BUMPER (inside)
B	LEFT SIDE DUCT
C	SELF-TAPPING SCREW (flat head)
D	SELF-TAPPING SCREW (round head)
E	RETAINING TAB(2)
F	CLIP(2)

9 Pierce the front bumper.

NOTICE

Make sure to mark the correct position.



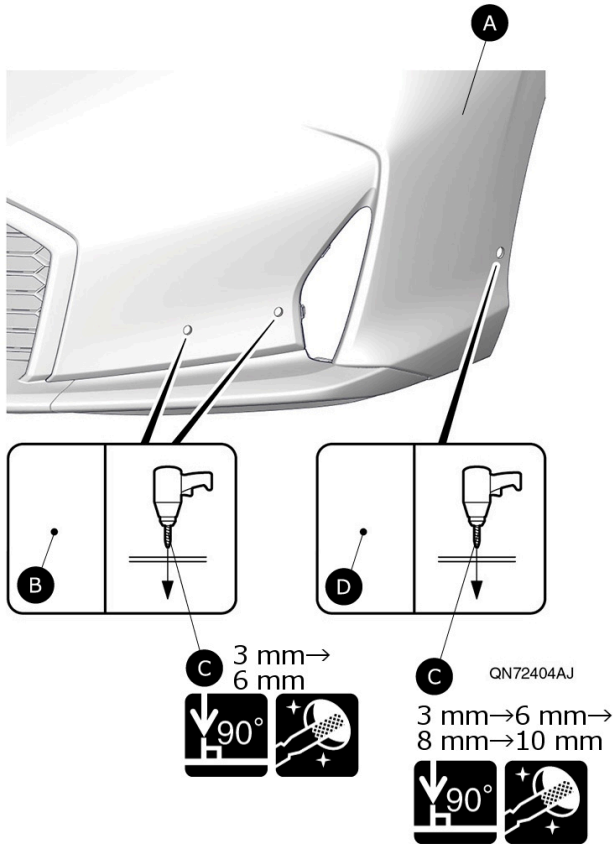
A	MARK(3)
B	PUSHPIN

QN72403AJ

10 Drill the front bumper.

NOTICE

Make sure to drill the correct position.

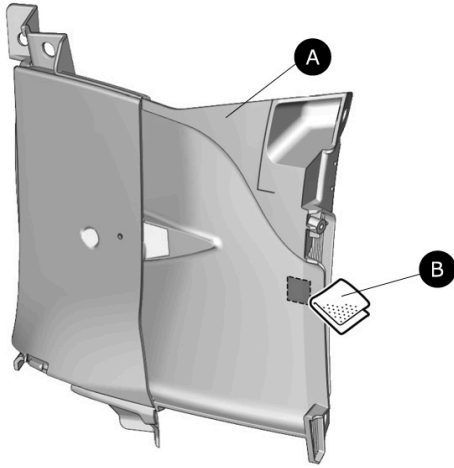


A	FRONT BUMPER (outside)
B	MARK(2)
C	DRILL BIT
D	MARK

11 Clean the left side duct.

 **NOTE**

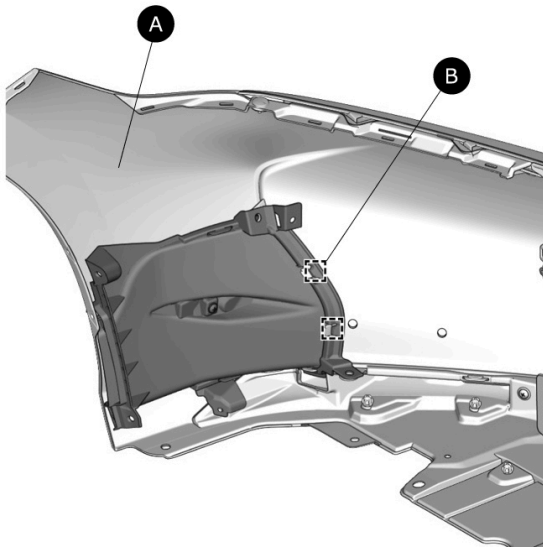
Allow to dry thoroughly.



QP40115AH

A	LEFT SIDE DUCT
B	ALCOHOL WIPE

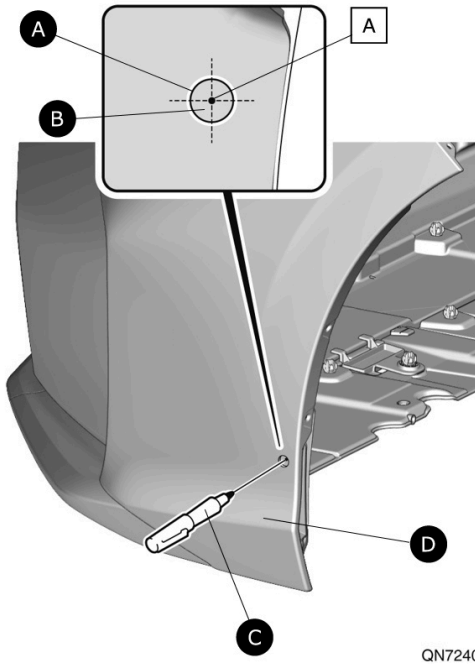
12 Loosely secure the left side duct.



QN72405BJ

A	FRONT BUMPER (inside)
B	RETAINING TAB(2)

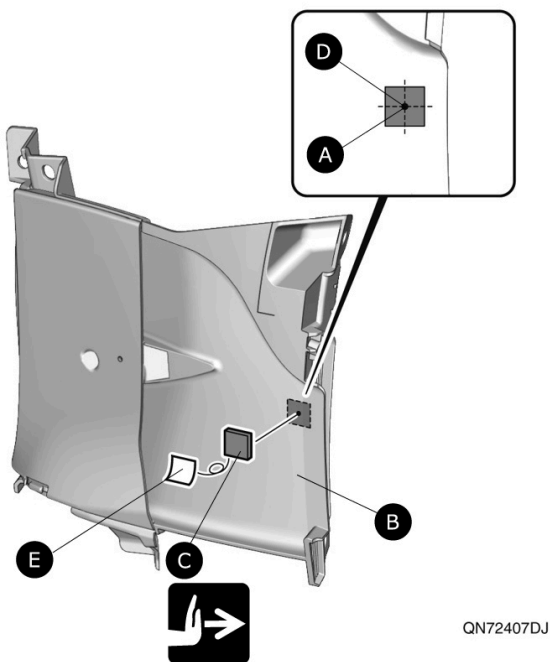
13 Mark the left side duct.



A	HOLE
B	LEFT SIDE DUCT
C	FELT-TIP PEN
D	FRONT BUMPER (outside)
A	MARK (Mark the center of the hole.)

14 Remove the left side duct (loosely secured in step 12).

15 Attach the seal.

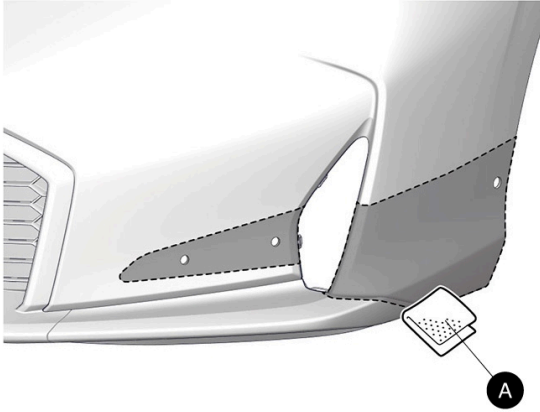


A	MARK
B	LEFT SIDE DUCT
C	SEAL
D	CENTER OF SEAL
E	ADHESIVE BACKING

16 Clean the front bumper.

NOTE

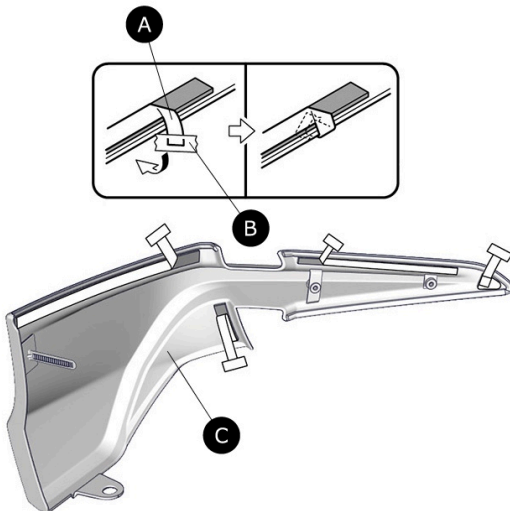
Allow to dry thoroughly.



A ALCOHOL WIPE

QN72408AJ

17 Temporarily attach the adhesive backings.



A ADHESIVE BACKING(4)

B MASKING TAPE

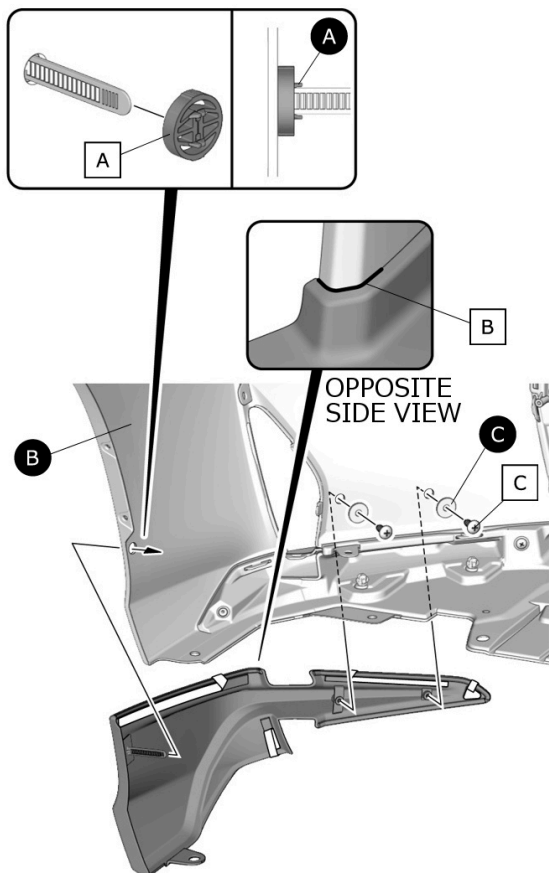
C LEFT SPOILER

QN72409AJ

18 Loosely secure the left spoiler.

NOTE

Make sure to install the clip in the correct orientation.



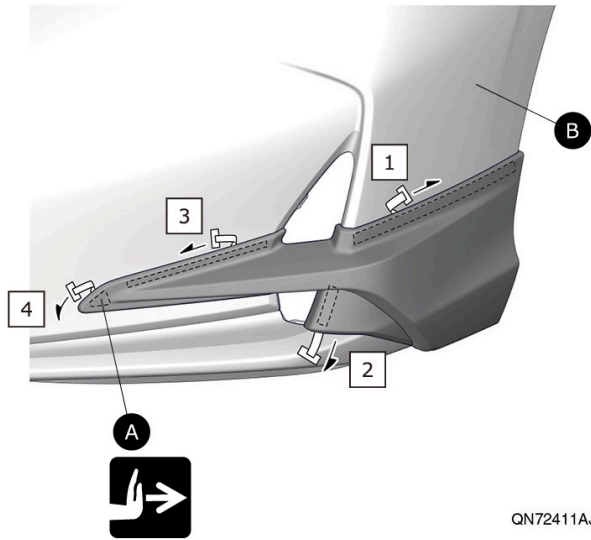
A	PROJECTION
B	FRONT BUMPER (inside)
C	WASHER(2)
A	CLIP A (Loosely install.)
B	Line up.
C	SELF-TAPPING SCREW (Loosely install.)(2)

QN72410BJ

19 Secure the left spoiler.

NOTE

- Install in the order shown.
- Check the position of the double-sided adhesive tapes and make sure to press firmly.



A	DOUBLE-SIDED ADHESIVE TAPE(4)
B	FRONT BUMPER (outside)

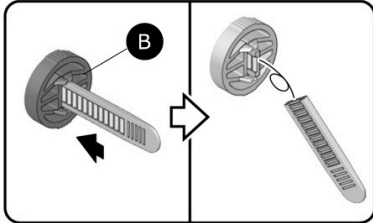
20 Secure the left spoiler.



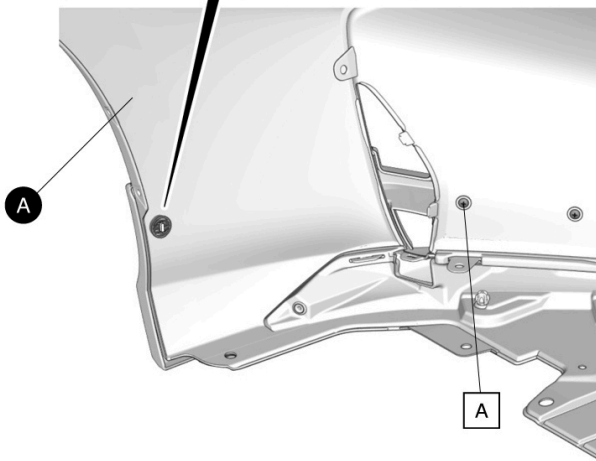
21 Secure the left spoiler.

NOTE

Do not excessively push in the clip. Make sure to adjust the clip to install front under spoiler.



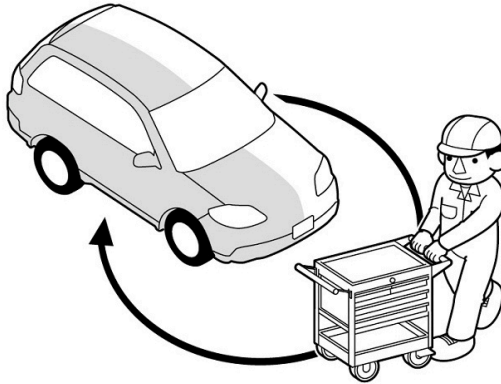
A	FRONT BUMPER (inside)
B	CLIP A
A	SELF-TAPPING SCREW (Tighten.)(2)



QND0911BJ

22 Install the left side duct.

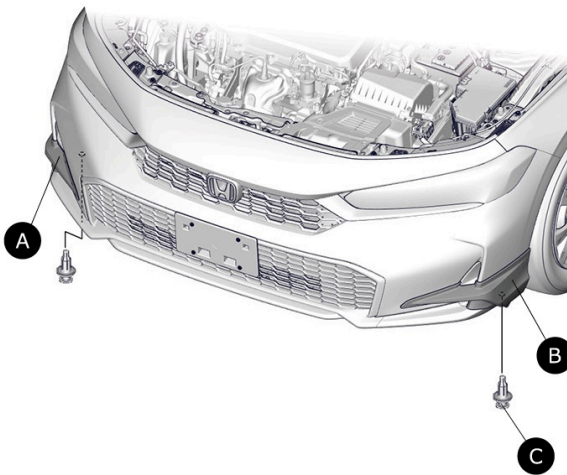
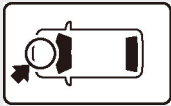
23 Repeat steps 8 through 22 on the other side.



Q9D1014AM

24 Install the front bumper.

25 Secure the left spoiler and right spoiler.



QN72415AJ

A	RIGHT SPOILER
B	LEFT SPOILER
C	CLIP B (supplied) (2)

Check After Installation

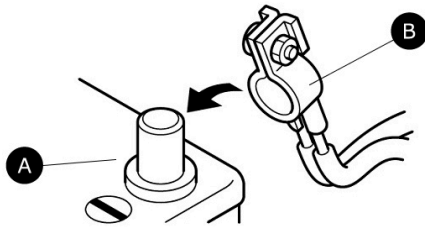
26 Check that all parts are installed and properly routed.

NOTE

- Check that all harnesses are not pulled or pinched.
- Make sure all clips and wire ties are securely installed.

Operation Check

27 Connect the negative cable to the battery.



Q060702BM

A	BATTERY
B	NEGATIVE CABLE

Vehicle Check

28 Make sure all accessories and systems operate properly.

29 If necessary, restore the systems back to normal operation as described in the service information.

30 Press and hold the audio unit power button for 2 seconds to restore the audio and navi (if equipped) system functions.