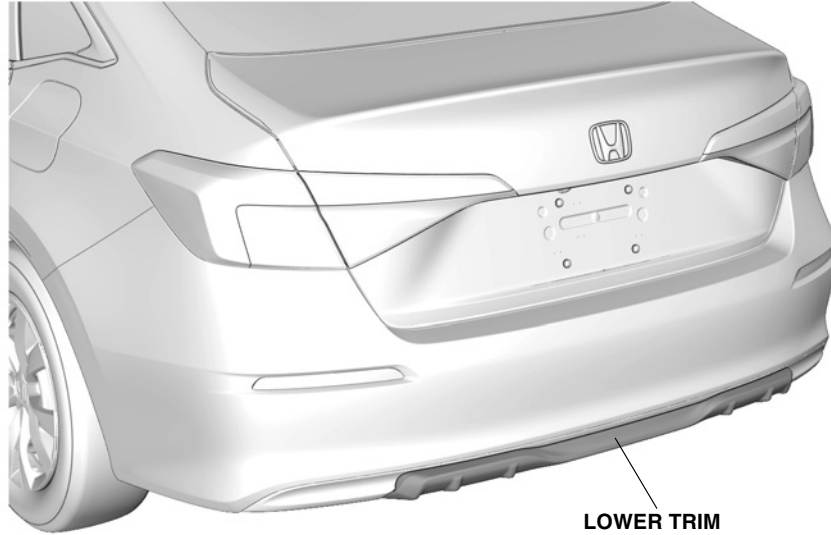




# INSTALLATION INSTRUCTIONS

<b>Accessory</b>  REAR LOWER TRIM	<b>Application</b>  2025 CIVIC MODEL SERIES	<b>Publications No.</b> <b>VERSION 1</b>
		<b>Issue Date</b> <b>JUN 2024</b>

## GENERAL VIEW



QK40101AH

## FOR YOUR SAFETY (Read carefully.)

### Warning Symbols

**Safety:** Your safety, and the safety of others, is important. To help you make informed decisions about service procedures, we have provided safety messages where appropriate. Of course, it is not practical or possible to warn you about all the hazards associated with servicing a vehicle - you must use your own good judgment.

You will find important safety messages preceded by one of the following symbols:

\*All symbols are not used in all installation instructions.

 **DANGER**

You will be killed or seriously hurt if you do not follow the instructions.

 **WARNING**

You can be killed or seriously hurt if you do not follow the instructions.

 **CAUTION**

You can be hurt if you do not follow the instructions.

**NOTICE**

Gives advice to prevent damage to the product, vehicle, the environment or other property.

**NOTE**

Gives helpful information or instructions to be followed when installing this product.

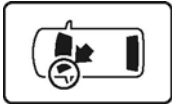


Indicates a prohibited action.

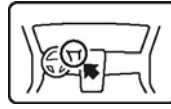
## Procedure and Location Icons

These icons indicate the work location and the worker's point of view.

\*All icons are not used in all installation instructions.



The location on the vehicle.



The location in the vehicle.  
(Instrument panel.)



Wear eye protection.



Wear heavy gloves.



Use an assistant.



Place the part on a blanket.



Work perpendicular.



Remove any burrs.



Use touch-up paint and allow to dry.



Tighten to the specified torque.



Apply firm pressure while rolling, especially at the ends, to set the adhesive.



Press firmly.

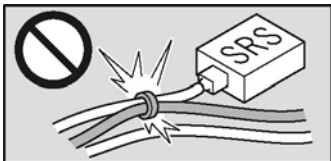


Clean with isopropyl alcohol.

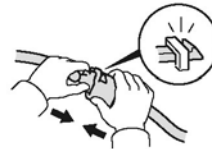


Return the original part to the customer.  
(Do not reuse.)

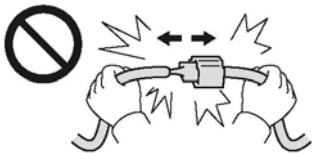
## Wire Harness Routing Precaution



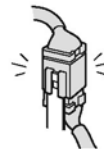
Do not secure the accessory harness to the SRS harness.  
(except for instruction cases.)



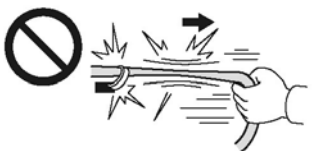
Push the connectors and terminals together until they lock.



Do not pull the harness to unplug the connectors.



Install removed connectors in their original location.



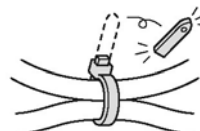
Do not pull the harness.



Secure the accessory harness as shown.



Do not pinch the harness.



Cut off the excess wire tie.

## Safety: General

- Observe all safety notes and precautions described in the service information, in addition to those described in this Installation Instruction. Be extremely careful for your safety and the safety of others.
- Be careful not to damage the vehicle or the parts.
- Be extremely careful when handling retaining tabs and clips.
- Note the locations of the parts before removing them so they can be properly installed in their original positions.
- The illustrations may differ slightly from the actual accessory.

## Safety: Electric Parts

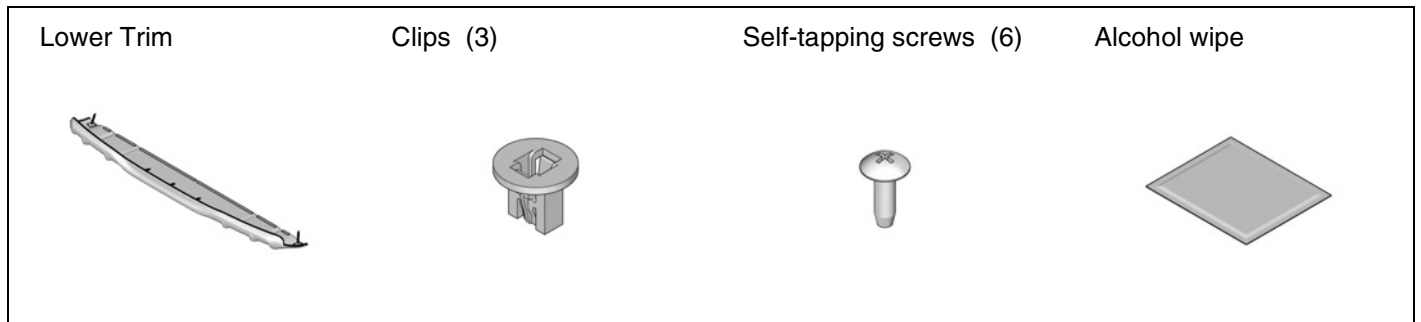
Always disconnect the negative cable from the battery before beginning work.

## Safety: Accessory

- Always use the parts and tools specified in the installation instructions.
- Do not install the accessory on a dirty surface or in direct sunlight.
- Make sure the ambient air temperature is 60°F (15°C) or above when installing accessories that use adhesive material.
- When pressing the accessory firmly with the palm of your hand, be careful not to damage it or the vehicle.
- When applying adhesive material, make sure it is lined up properly before attaching. Once the adhesive material touches the surface, do not try to remove it. If you do, you could damage the part.
- Do not wash the vehicle for 24 hours to allow the adhesive to cure.

## PARTS LIST

### Rear Lower Trim Kit (P/N 08F24-T20-100)



## REQUIRED TOOLS AND SUPPLIES

- Phillips screwdriver
- 10 mm Socket
- Diagonal cutters
- Drill
- 10 mm Open end wrench
- Masking tape
- Blanket
- 3 mm, 6 mm, 8 mm, and 10 mm Drill bits
- Ratchet
- File
- Pushpin
- Eye protection (face shield, safety goggles, etc.)

The following tools are available through the Honda Tool and Equipment Program:

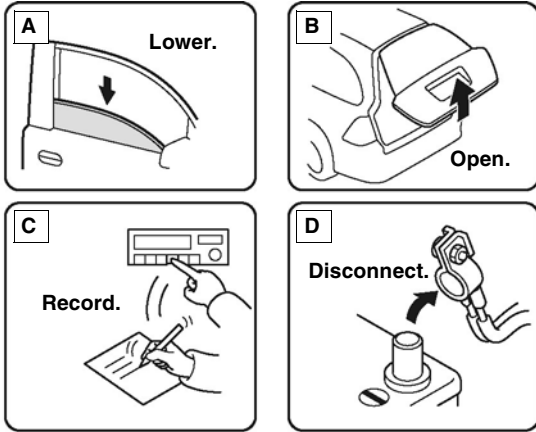
- Trim Tool Set (T/N SOJATP2014)
- Rubber Roller (T/N MHLE54D)
- Plastic Trim Tool (T/N SILTRIMTL10)

# INSTALLATION

1. Disconnect the negative cable from the battery.

## NOTE

With the driver's door open, turn the vehicle to the OFF (LOCK) mode, then wait at least 3 minutes before disconnecting the 12 volt negative battery cable.

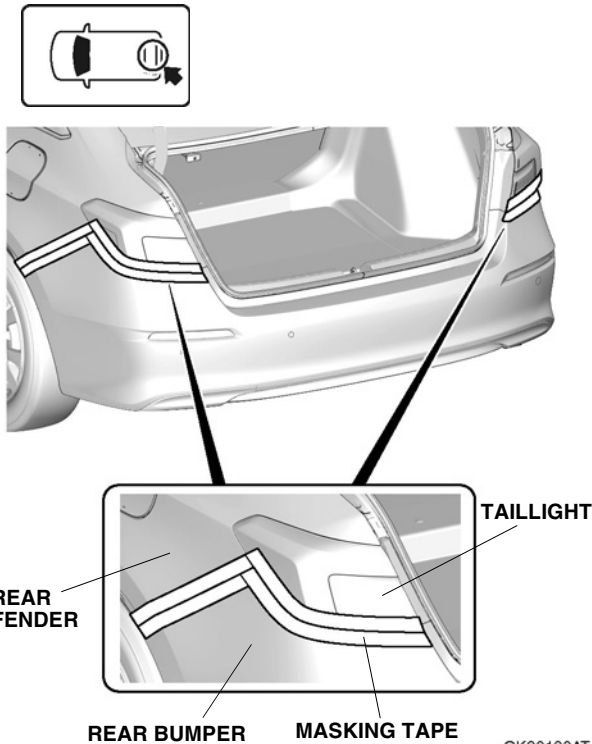


QCD0504BM

2. Attach masking tape to protect the vehicle.

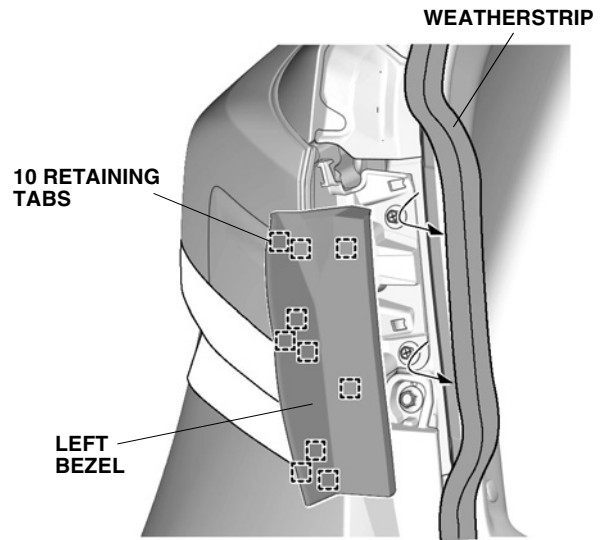
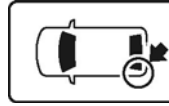
## NOTE

Do not remove the masking tape until after the parts are installed.



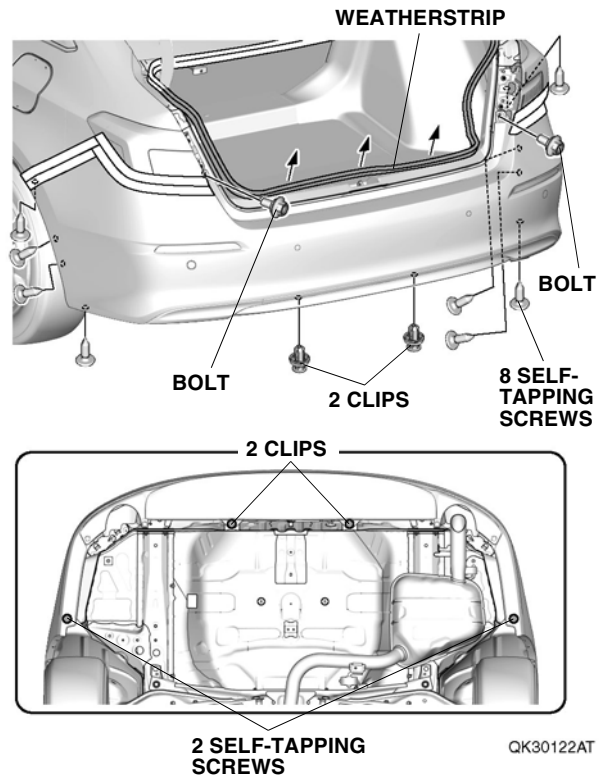
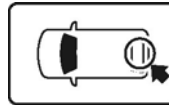
QK30120AT

3. Remove the left bezel.



QK30121AT

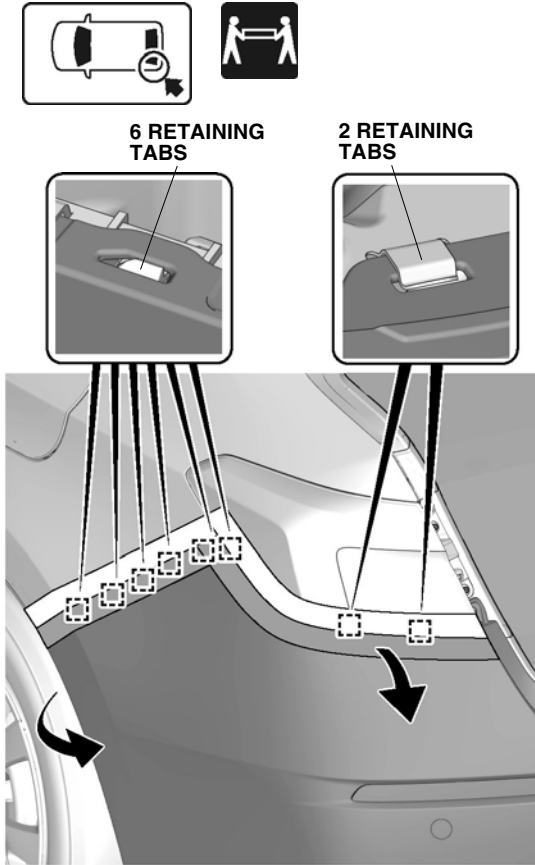
4. Repeat step 3 on the other side.
5. Remove the bolts, clips, and self-tapping screws.



QK30122AT

6. Release the retaining tabs.

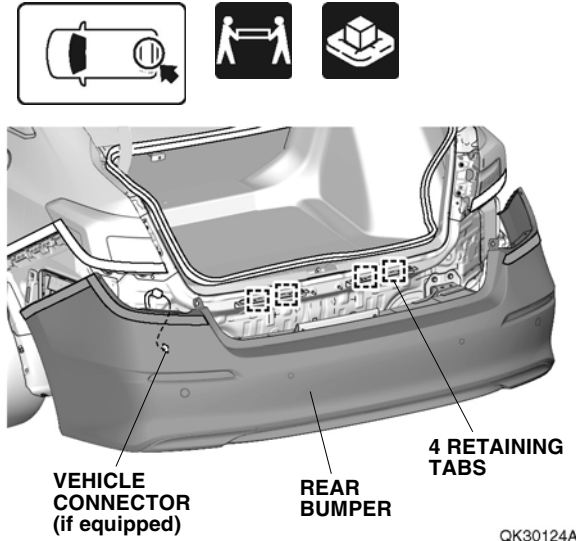
<b>NOTE</b>
<ul style="list-style-type: none"> <li>• Release the retaining tabs in order from outside.</li> <li>• Make sure to release the retaining tabs in the correct orientation.</li> </ul>



QK30123AT

7. Repeat step 6 on the other side.

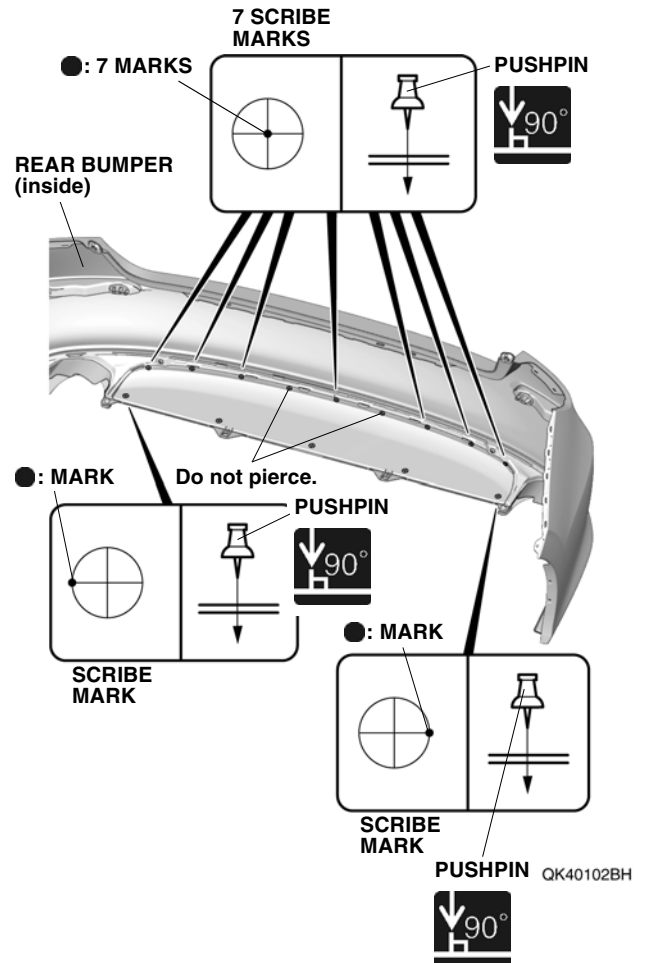
8. Remove the rear bumper.



QK30124AT

9. Pierce the rear bumper.

<b>NOTE</b>
Make sure to pierce the correct positions.

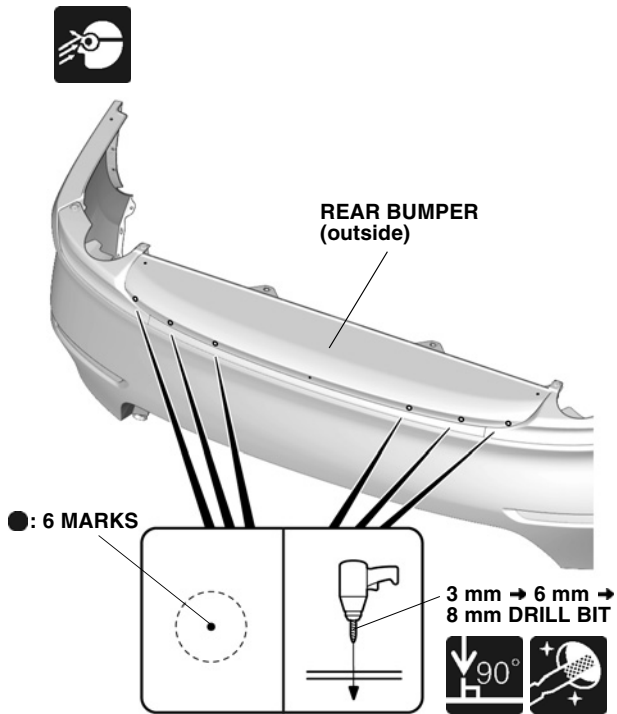


QK40102BH

10. Drill the rear bumper.

**NOTE**

Make sure to drill the correct positions.

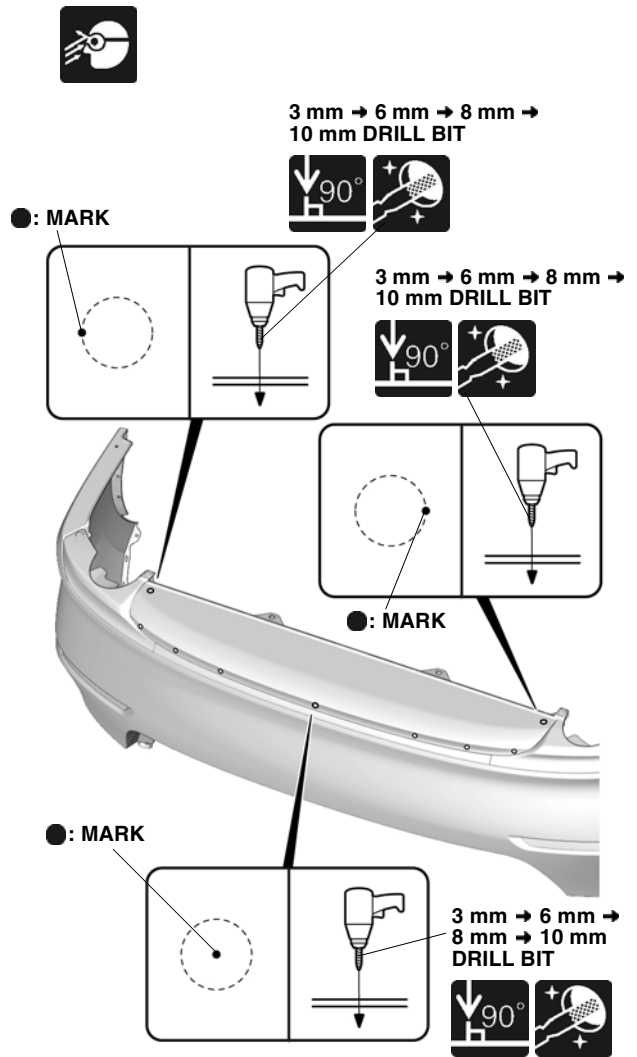


QK40103BH

11. Drill the rear bumper.

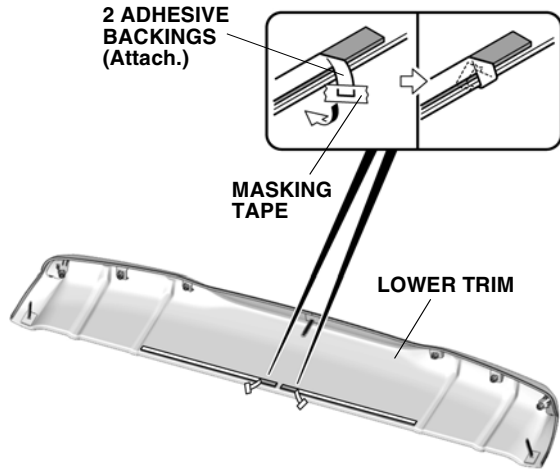
**NOTE**

Make sure to drill the correct positions.



QK40104CH

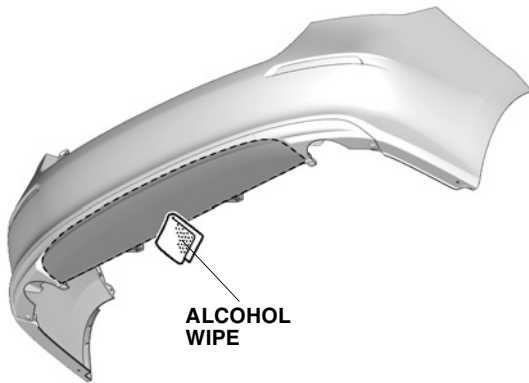
12. Temporarily attach the adhesive backings.



QK40105CH

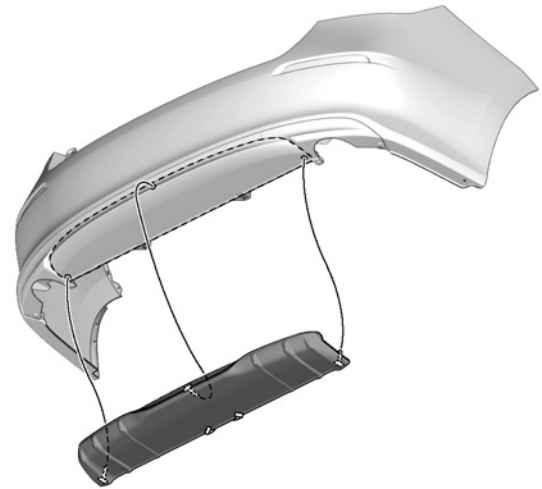
13. Clean the attaching area.

<b>NOTE</b>
Allow to dry thoroughly.



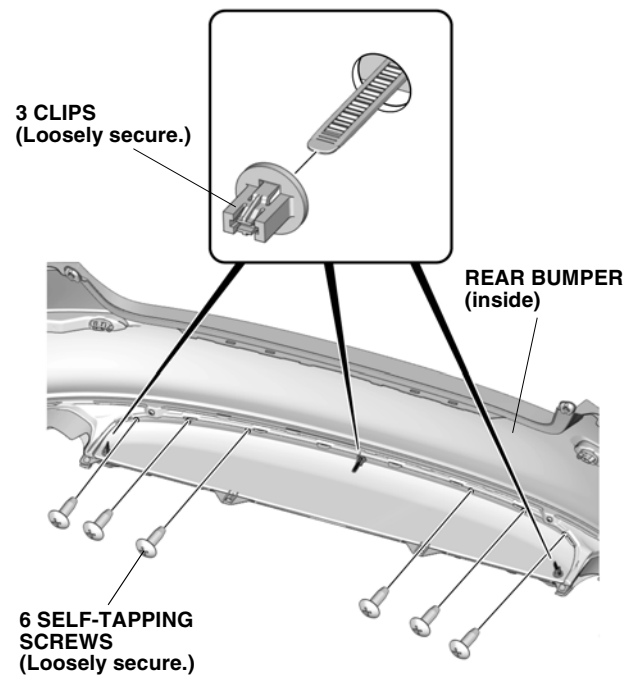
QK40106AH

14. Install the lower trim.



QK40107CH

15. Loosely secure the lower trim.

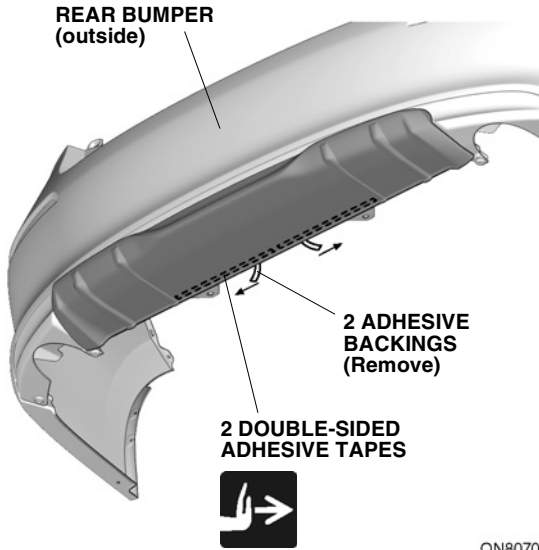


QK40108BH

16. Secure the lower trim.

**NOTE**

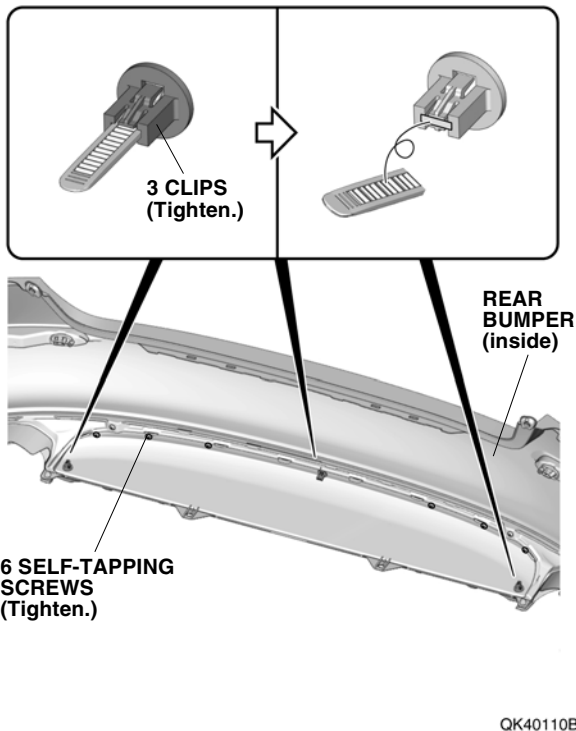
Check the position of the double-sided adhesive tapes and make sure to press firmly.



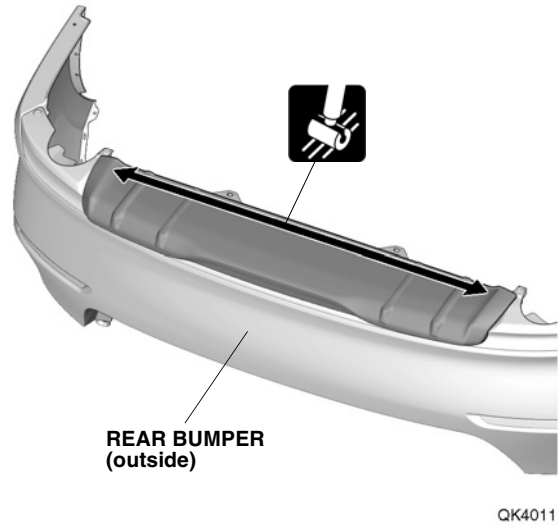
17. Secure the lower trim.

**NOTE**

Do not excessively push in the clip. Make sure to adjust the clip to install the lower trim.



18. Secure the lower trim.



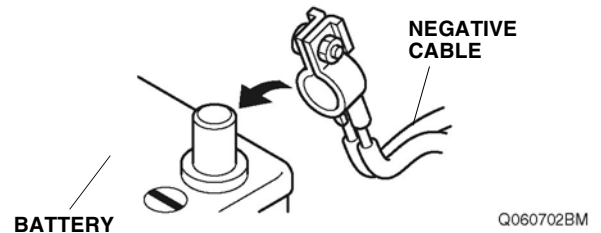
19. Check that all parts are installed and properly routed.

**NOTE**

- Check that all harnesses are not pulled or pinched.
- Make sure all clips and wire ties are securely installed.

20. Install all removed parts.

21. Connect the negative cable to the battery.



22. Perform operation check by referring to the accessory user's information manual.

23. Make sure all accessories and systems operate properly.

24. If necessary, restore the systems back to normal operation as described in the service information.

25. Press and hold the audio unit power button for 2 seconds to restore the audio and navi (if equipped) system functions.