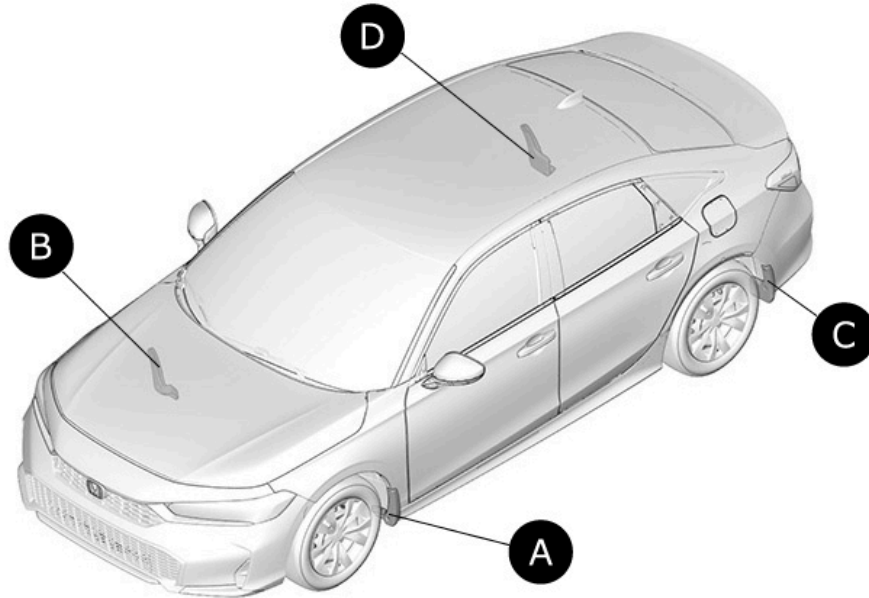


SPLASH GUARDS	2025 CIVIC MODEL SERIES	Publications No. VERSION 1
---------------	----------------------------	-------------------------------

GENERAL VIEW



QN80201AT

A	LEFT FRONT SPLASH GUARD
B	RIGHT FRONT SPLASH GUARD
C	LEFT REAR SPLASH GUARD
D	RIGHT REAR SPLASH GUARD

FOR YOUR SAFETY (Read carefully.)

Warning Symbols

Safety: Your safety, and the safety of others, is important. To help you make informed decisions about service procedures, we have provided safety messages where appropriate. Of course, it is not practical or possible to warn you about all the hazards associated with servicing a vehicle - you must use your own good judgment.

You will find important safety messages preceded by one of the following symbols:

*All symbols are not used in all installation instructions.

DANGER

You will be killed or seriously hurt if you do not follow the instructions.

WARNING

You can be killed or seriously hurt if you do not follow the instructions.

CAUTION

You can be hurt if you do not follow the instructions.

NOTICE

Gives advice to prevent damage to the product, vehicle, the environment or other property.

NOTE

Gives helpful information or instructions to be followed when installing this product.

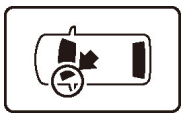
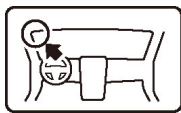














Indicates a prohibited action.

Procedure and Location Icons

These icons indicate the work location and the worker's point of view.

*All icons are not used in all installation instructions.

	The location on the vehicle.		The location in the vehicle. (Instrument panel.)
	Wear eye protection.		Wear heavy gloves.
	Use an assistant.		Place the part on a blanket.
	Work perpendicular.		Remove any burrs.
	Use touch-up paint and allow to dry.		Tighten to the specified torque.
	Apply firm pressure while rolling, especially at the ends, to set the adhesive.		Press firmly.
	Clean with isopropyl alcohol.		Return the original part to the client. (Do not reuse.)

Safety: General

- Observe all safety notes and precautions described in the service information, in addition to those described in this Installation Instruction. Be extremely careful for your safety and safety of others.
- Always use the parts and tools specified in the installation instructions.
- Be careful not to damage the vehicle or the parts.
- Note the locations of the parts before removing them so they can be properly installed in their original positions.
- The illustrations may differ slightly from the actual accessory.

PARTS LIST

Splash Guard Kit (P/N 08P00-T20-100A)

Parts	Parts name	QTY	Remarks
	Right front splash guard	1	
	Left front splash guard	1	
	Right rear splash guard	1	
	Left rear splash guard	1	
	5 x 20 mm Self-tapping screw	2	
	5 x 25 mm Self-tapping screw	2	
	Spring nut	2	

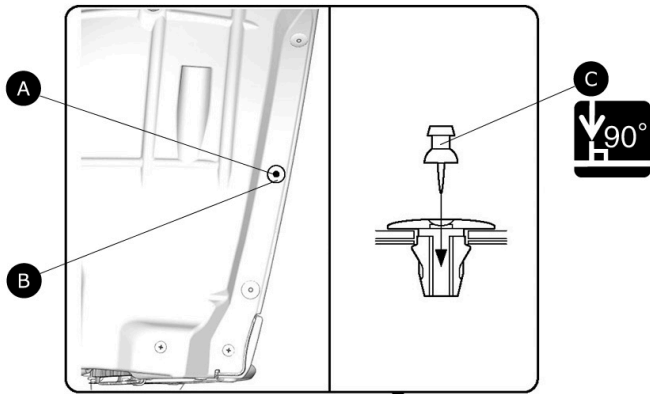
REQUIRED TOOLS AND SUPPLIES

- Pushpin
- Phillips screwdriver
- Stubby Phillips screwdriver

INSTALLATION

Installing the Splash Guards

1 Turn the steering wheel fully counterclockwise.



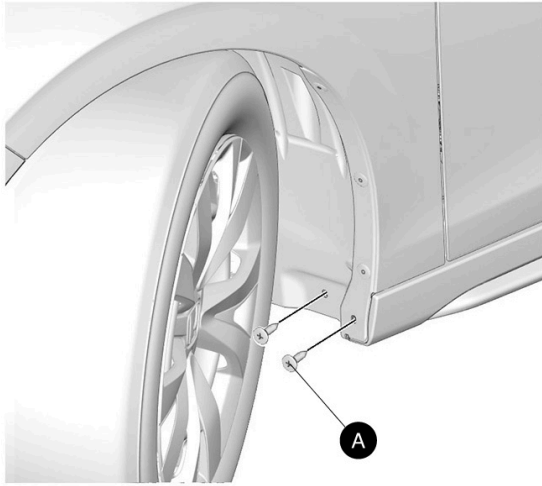
A	MARK
B	CLIP
C	PUSHPIN



QN80203AT

2 Pierce the clip.

3 Remove the self-tapping screws.



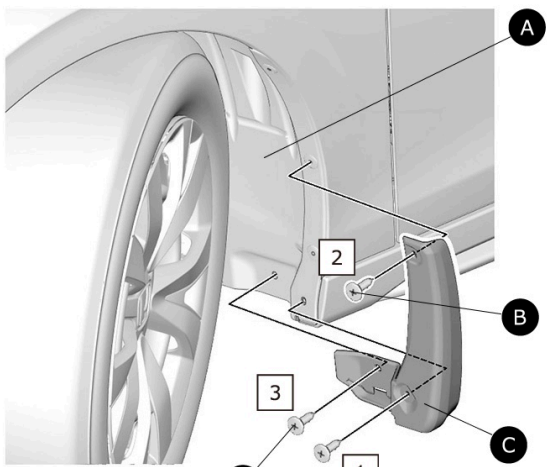
A	SELF-TAPPING SCREW(2)
----------	-----------------------

QN80204AT

4 Install the left front splash guard.

NOTE

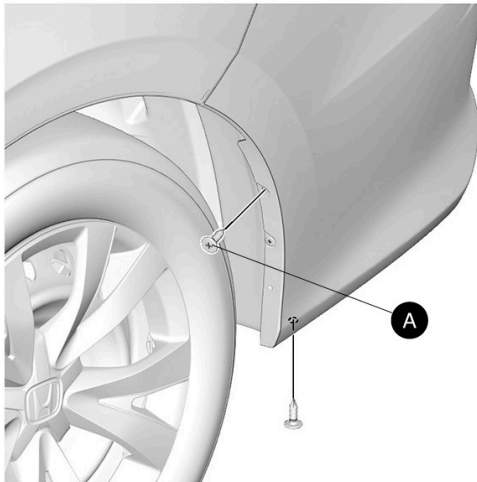
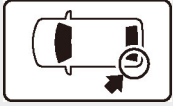
- Install in the order shown.
- Make sure that there is no gap between the splash guard and vehicle body. If there is a gap, loosen the self-tapping screws, hold the splash guard against the vehicle body, and retighten the screws.
- Make sure that the splash guard is properly installed.



A	LEFT FRONT INNER FENDER
B	5 x 20 mm SELF-TAPPING SCREW(supplied)
C	LEFT FRONT SPLASH GUARD
D	SELF-TAPPING SCREW(2)

QN80202AT

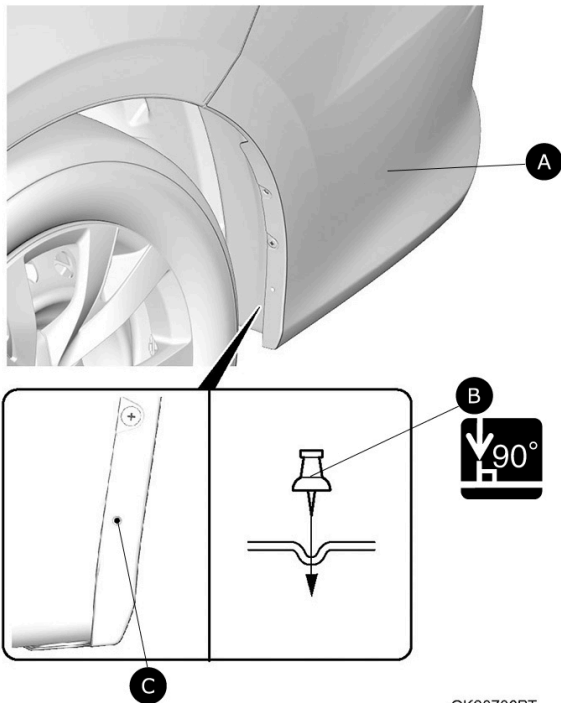
5 Remove the self-tapping screws.



A	SELF-TAPPING SCREW(2)
----------	-----------------------

QK30705AT

6 Pierce the rear bumper.



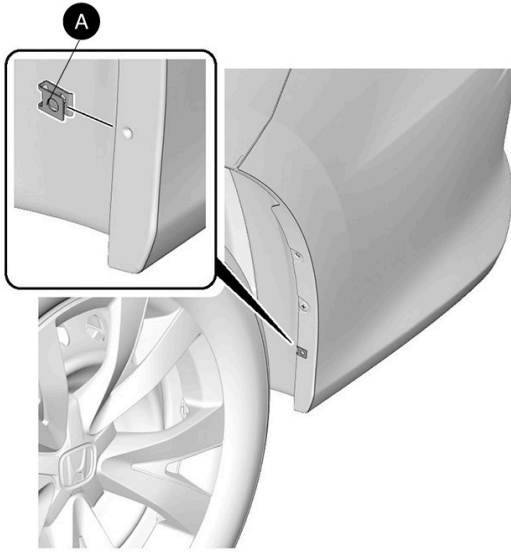
A	REAR BUMPER
B	PUSHPIN
C	RECESSED MARK

QK30706BT

7 Install the spring nut.

NOTE

Make sure to install the spring nut in the correct orientation and with the large hole facing out.



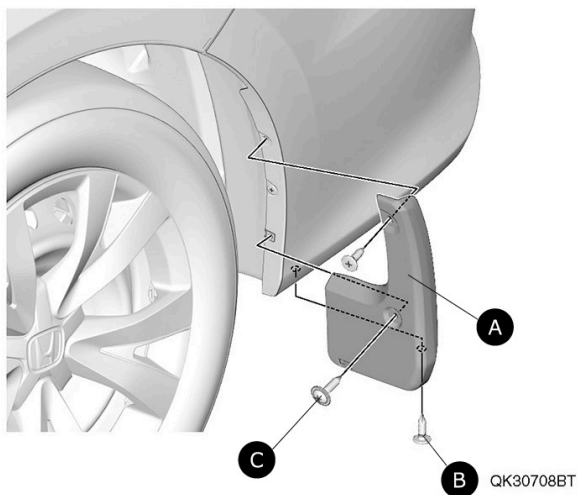
SPRING NUT

QK30707AT

8 Install the left rear splash guard.

NOTE

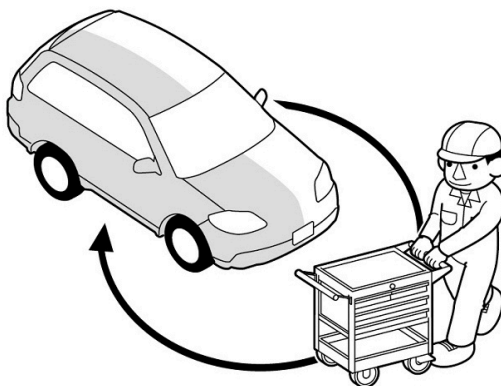
- Install in the order shown.
- Make sure that there is no gap between the splash guard and vehicle body. If there is a gap, loosen the self-tapping screws, hold the splash guard against the vehicle body, and retighten the screws.
- Make sure that the splash guard is properly installed.



A	LEFT REAR SPLASH GUARD
B	SELF-TAPPING SCREW(2)
C	5 x 25 mmSELF-TAPPING SCREW(supplied)

9 Turn the steering wheel fully clockwise.

10 Repeat steps 2 through 8 on the other side.



Q9D1014AM

11

Check that all parts are installed properly.