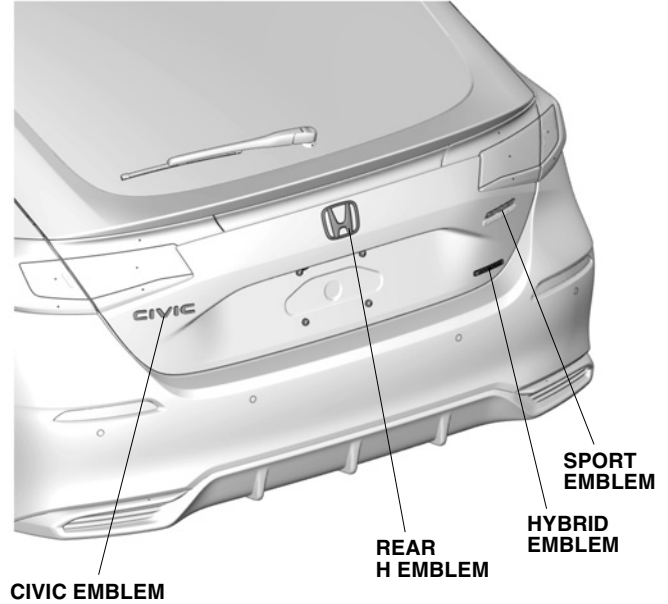
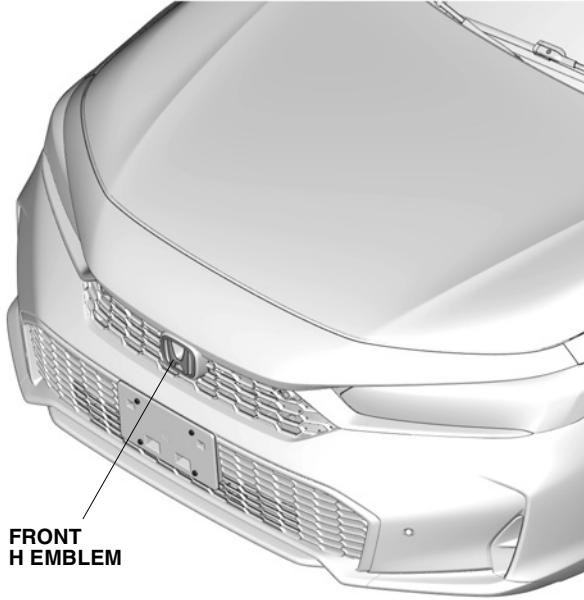




# INSTALLATION INSTRUCTIONS

Accessory	Application	Publications No.
BLACK EMBLEMS	2025 CIVIC 5-DOOR MODEL SERIES	VERSION 1
		Issue Date SEP 2024

## GENERAL VIEW



QND2101AJ

## FOR YOUR SAFETY (Read carefully.)

### Warning Symbols

Safety: Your safety, and the safety of others, is important. To help you make informed decisions about service procedures, we have provided safety messages where appropriate. Of course, it is not practical or possible to warn you about all the hazards associated with servicing a vehicle - you must use your own good judgment.

You will find important safety messages preceded by one of following symbols:

\*All symbols are not used in all installation instructions.

 **DANGER**

You will be killed or seriously hurt if you do not follow the instructions.

 **WARNING**

You can be killed or seriously hurt if you do not follow the instructions.

 **CAUTION**

You can be hurt if you do not follow the instructions.

**NOTICE**

Gives advice to prevent damage to the product, vehicle, the environment or other property.

**NOTE**

Gives helpful information or instructions to be followed when installing this product.

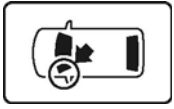


Indicates a prohibited action.

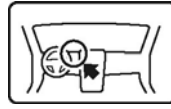
## Procedure and Location Icons

These icons indicate the work location and the worker's point of view.

\*All icons are not used in all installation instructions.



The location on the vehicle.



The location in the vehicle.  
(instrument panel.)



Wear eye protection.



Wear heavy gloves.



Use an assistant.



Place the part on a blanket.



Work perpendicular.



Remove any burrs.



Use touch-up paint and allow to dry.



Tighten to the specified torque.



Apply firm pressure while rolling, especially at the ends, to set the adhesive.



Press firmly.

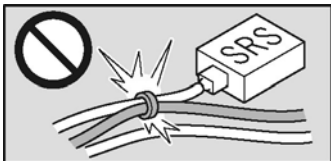


Clean with isopropyl alcohol.

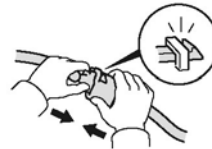


Return the original part to the customer.  
(Do not reuse.)

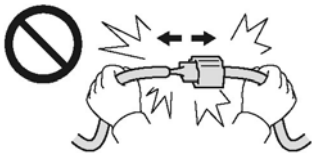
## Wire Harness Routing Precaution



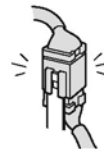
Do not secure the accessory harness to the SRS harness.  
(except for instruction cases.)



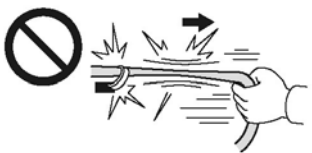
Push the connectors and terminals together until they lock.



Do not pull the harness to unplug the connectors.



Install removed connectors in their original location.



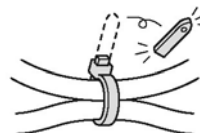
Do not pull the harness.



Secure the accessory harness as shown.



Do not pinch the harness.



Cut off the excess wire tie.

## Safety: General

- Observe all safety notes and precautions described in the service information, in addition to those described in this Installation Instruction. Be extremely careful for your safety and the safety of others.
- Be careful not to damage the vehicle or the parts.
- Be extremely careful when handling retaining tabs and clips.
- Note the locations of the parts before removing them so they can be properly installed in their original positions.
- The illustrations may differ slightly from the actual accessory.

## Safety: Electric Parts






Always disconnect the negative cable from the battery before beginning work.

## Safety: Accessory

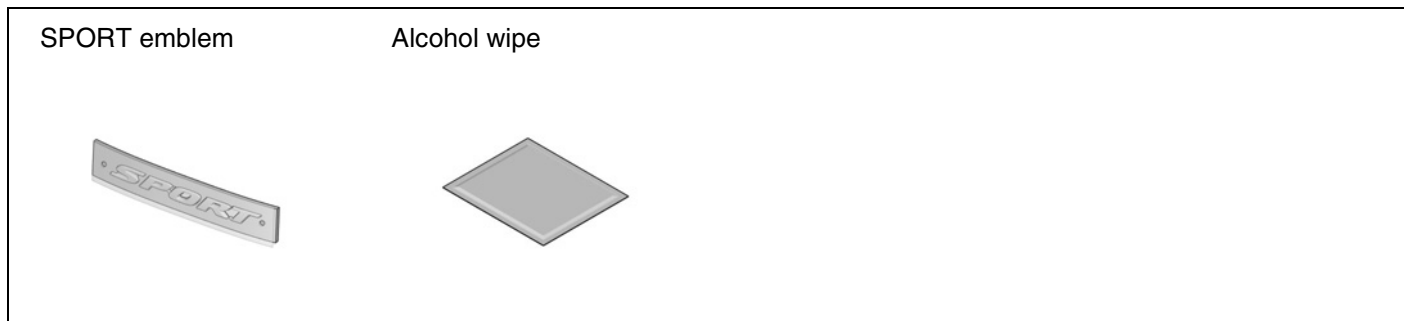
- Always use the parts and tools specified in the installation instructions.
- Do not install the accessory on a dirty surface or in direct sunlight.
- Make sure the ambient air temperature is 60°F (15°C) or above when installing accessories that use adhesive material.
- When pressing the accessory firmly with the palm of your hand, be careful not to damage it or the vehicle.
- When applying adhesive material, make sure it is lined up properly before attaching. Once the adhesive material touches the surface, do not try to remove it. If you do, you could damage the part.
- Do not wash the vehicle for 24 hours to allow the adhesive to cure.

## PARTS LIST

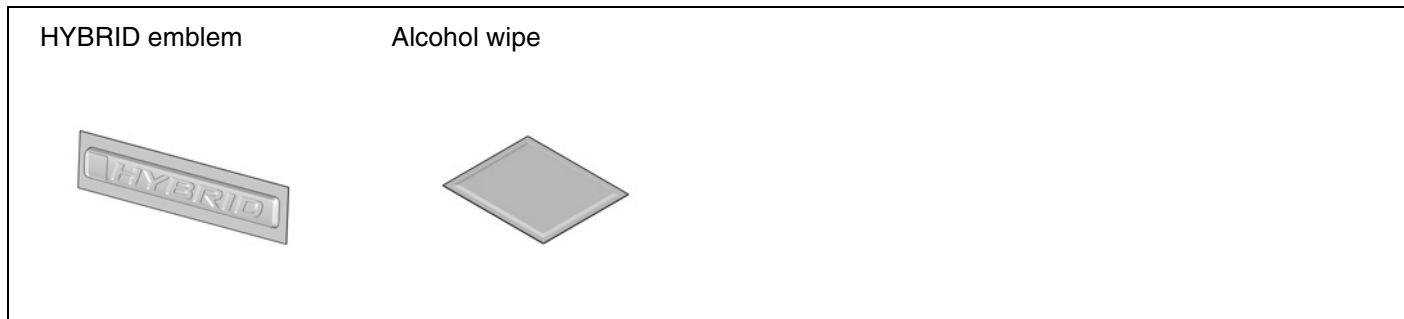
### Black Emblems Kit (P/N 08F20-T47-100A)

CIVIC emblem	Front H emblem	Rear H emblem	Push nuts (2)
			
Alcohol wipes (3)			
			

## Black Sport Emblem Kit (P/N 08F20-TVA-100C)



## Black Hybrid Emblem Kit (P/N 08F20-T20-100B)



## REQUIRED TOOLS AND SUPPLIES

- 10 mm Open end wrench
- Phillips screwdriver
- Blanket
- Felt-tip pen
- Ratchet
- Masking tape
- String
- 6 mm and 10 mm Sockets
- Diagonal cutters
- Ruler

The following tools are available through the Honda Tool and Equipment Program:

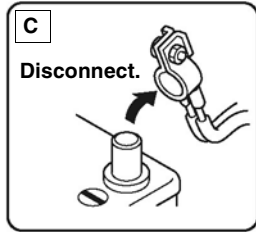
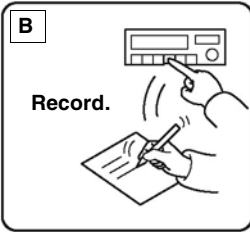
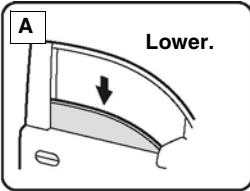
- Trim Tool Set (T/N SOJATP2014)
- Rubber Roller (T/N MHLE54D)
- Plastic Trim Tool (T/N SILTRIMTL10)
- Push Pin Pliers (T/N 07AAC-001A101)

# INSTALLATION

1. Disconnect the negative cable from the battery.

**NOTE**

With the driver's door open, turn the vehicle to the OFF (LOCK) mode, then wait at least 3 minutes before disconnecting the 12 volt negative battery cable.

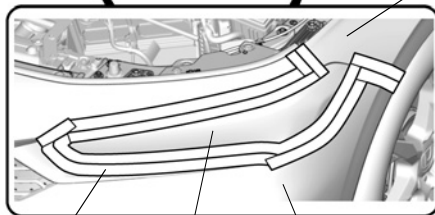
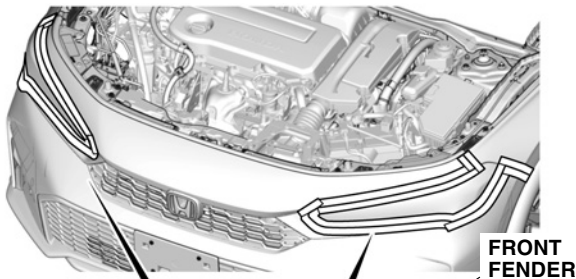
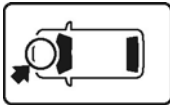


QCD0502BM

2. Attach masking tape to protect the vehicle.

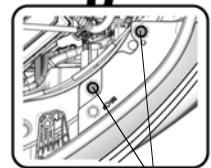
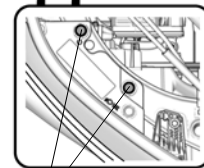
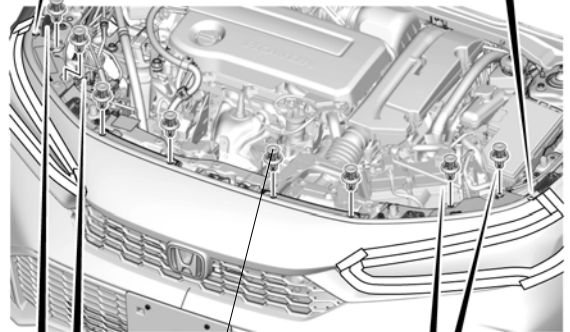
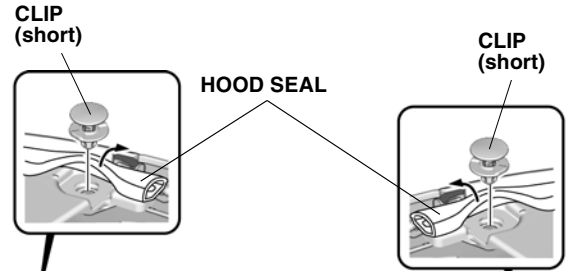
**NOTE**

Do not remove the masking tape until after the parts are installed.



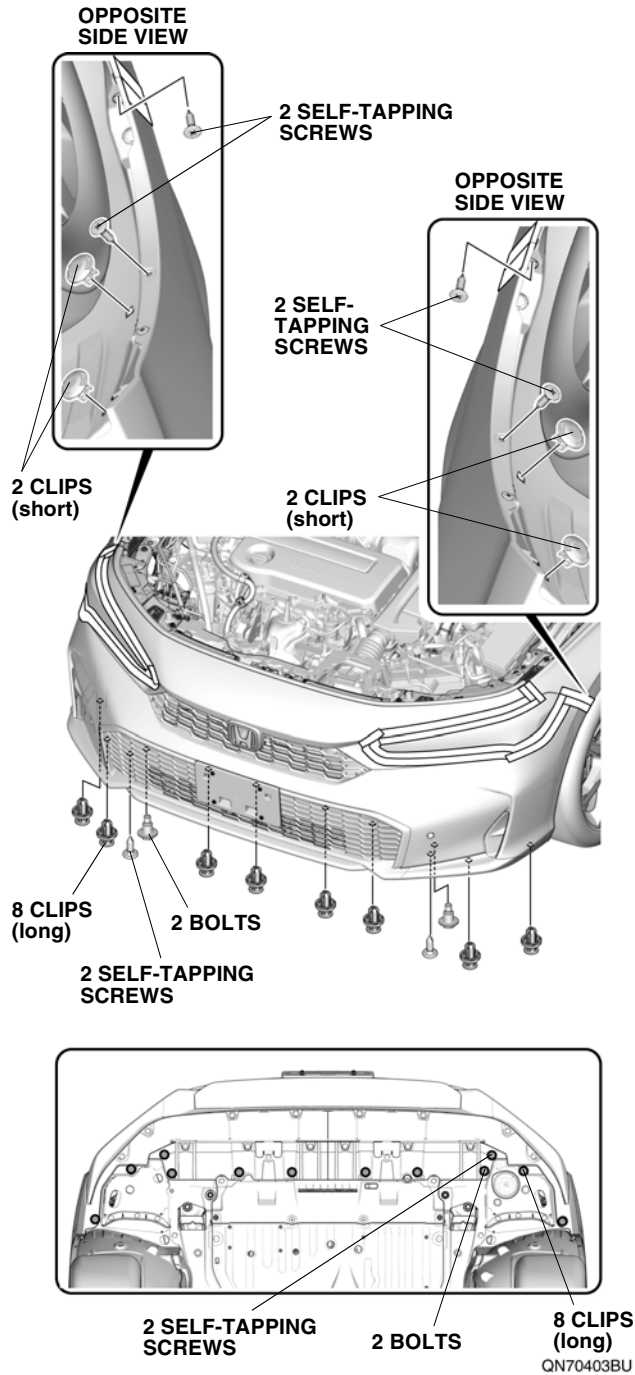
**MASKING TAPE** **HEADLIGHT** **FRONT BUMPER** QN70401AU

3. Remove the clips.



QN70402AU

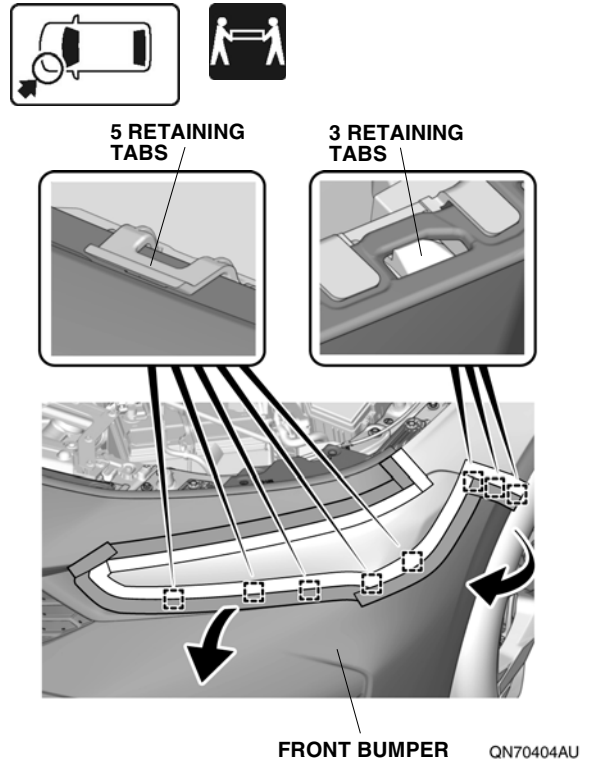
4. Remove the self-tapping screws, clips, and bolts.



5. Release the retaining tabs.

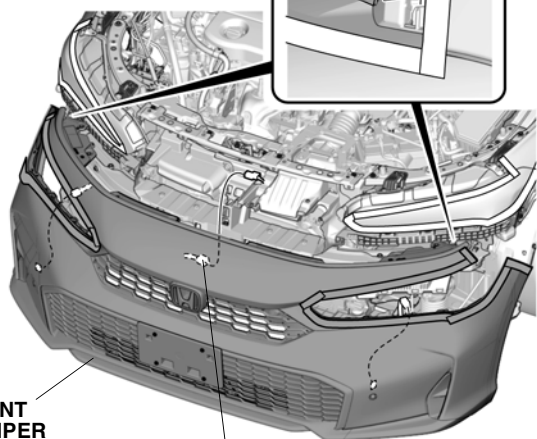
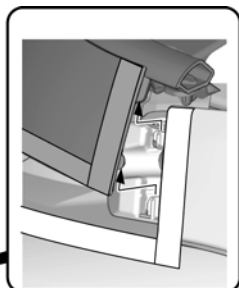
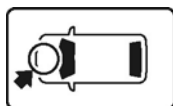
**NOTE**

- Release the retaining tabs in order starting from the outside.
- Make sure to release the retaining tabs in the correct orientation.



6. Repeat step 5 on the other side.

7. Remove the front bumper.



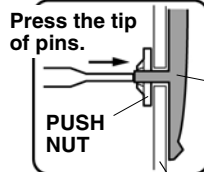
FRONT BUMPER

VEHICLE CONNECTORS (if equipped)

QN70405AU

8. Remove the vehicle front H emblem.

SECTION VIEW



Press the tip of pins.

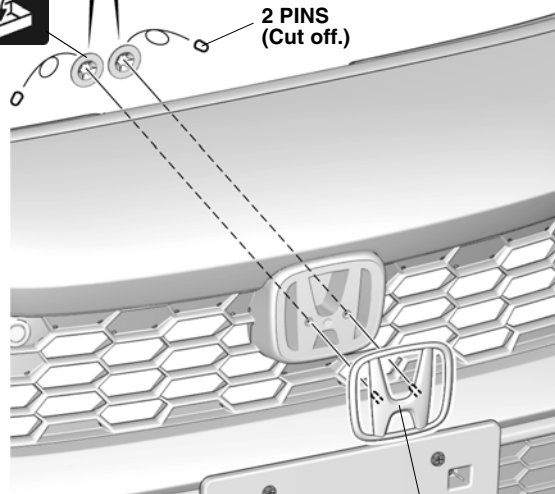
PUSH NUT

VEHICLE FRONT H EMBLEM

2 PUSH NUTS

FRONT GRILLE

2 PINS (Cut off.)



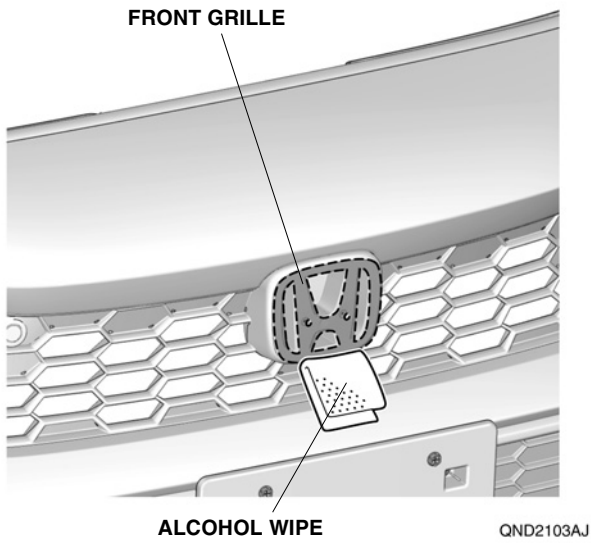
VEHICLE FRONT H EMBLEM QND2102AJ



9. Clean the front grille.

**NOTE**

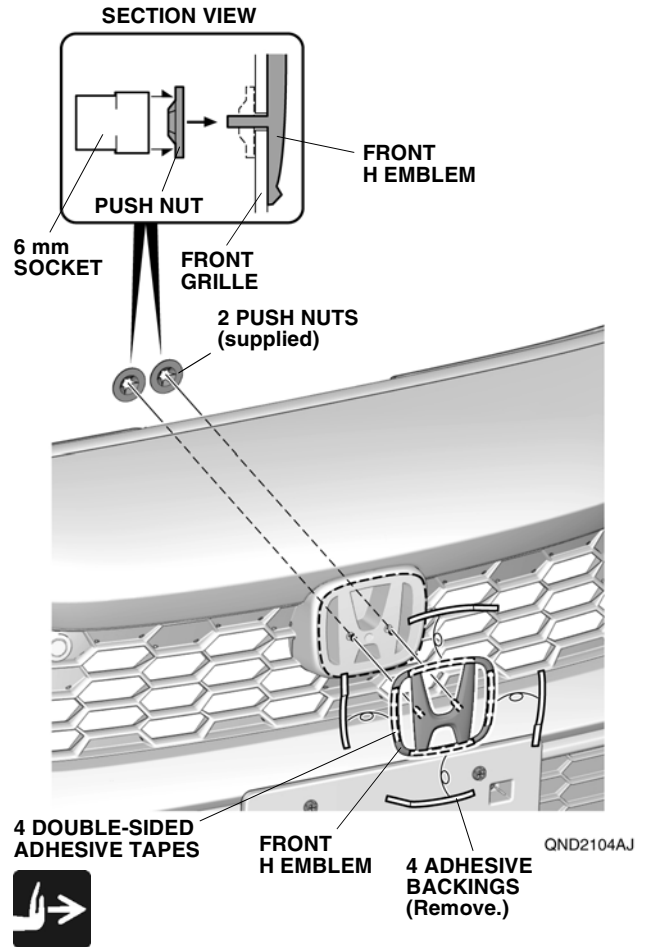
Allow to dry thoroughly.



10. Install the front H emblem.

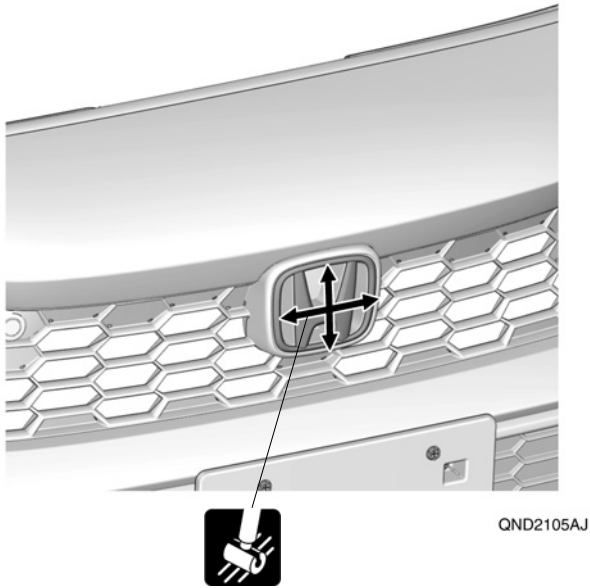
**NOTE**

- Check the orientation of the push nuts.
- Check the position of double-sided adhesive tape and make sure to press firmly.

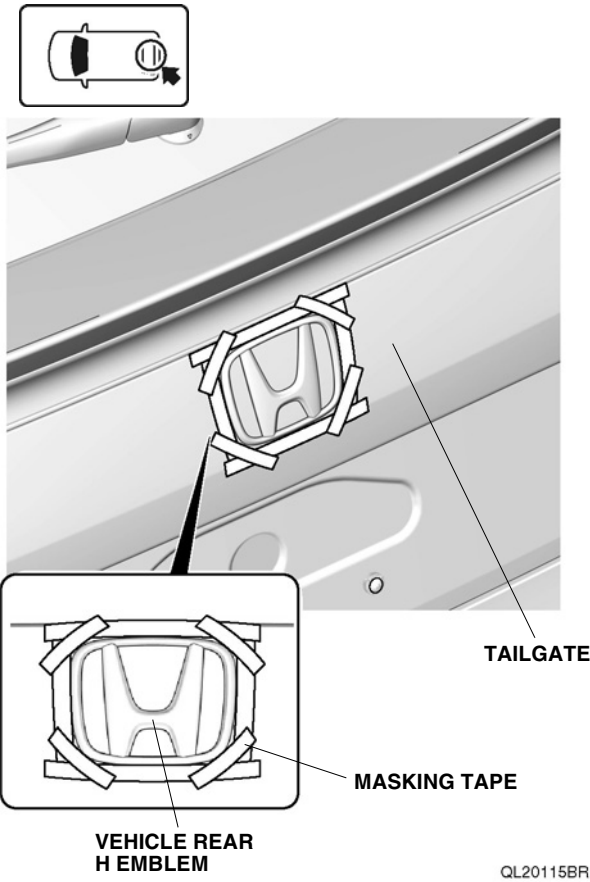




11. Set the adhesive.

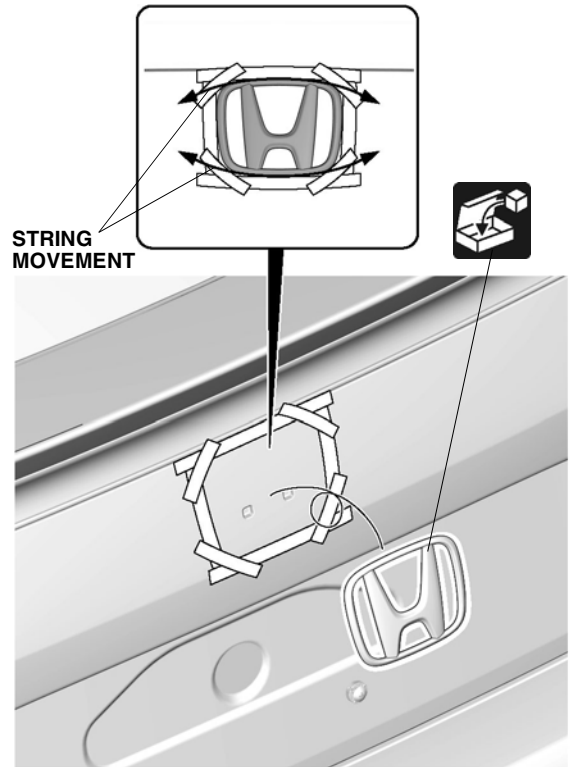


12. Attach the masking tape.



13. Remove the vehicle rear H emblem.

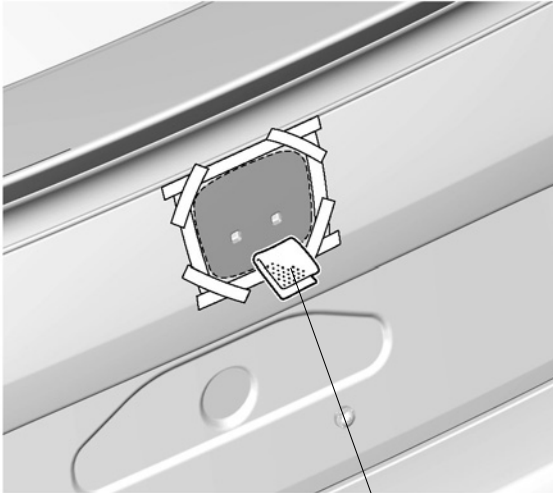
NOTE
<ul style="list-style-type: none"><li>• Do not damage the tailgate when removing the rear H emblem with the string.</li><li>• Make sure to thoroughly remove the adhesive tape from the tailgate.</li></ul>



14. Clean the tailgate.

**NOTE**

Allow to dry thoroughly.

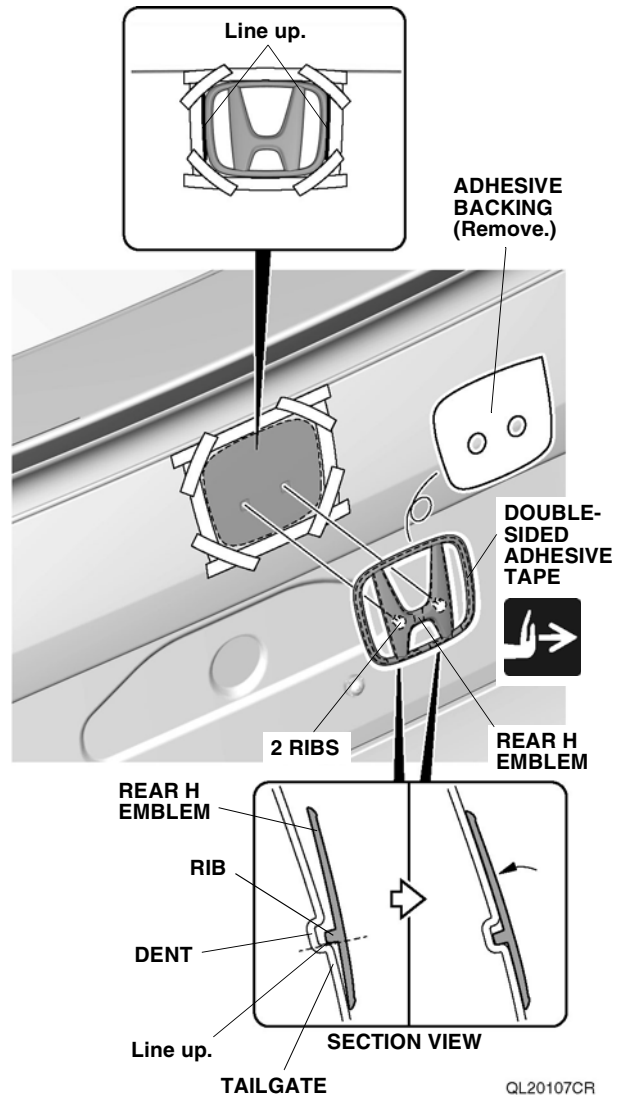


ALCOHOL WIPE QL20106CR

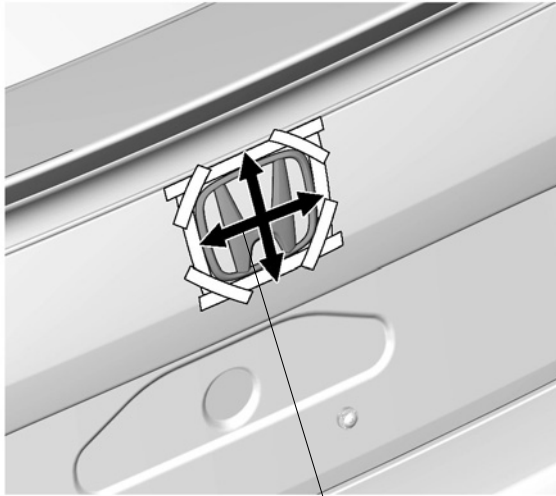
15. Install the rear H emblem.

**NOTE**

Check the position of double-sided adhesive tape and make sure to press firmly.



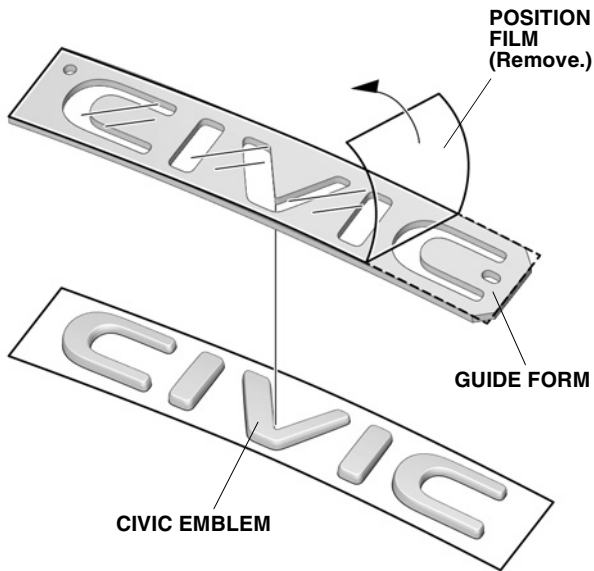
16. Set the adhesive.



QL70102AT

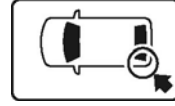
17. Remove the masking tape.

18. Remove the guide form.



QK40107AU

19. Install the guide form.



TAILGATE

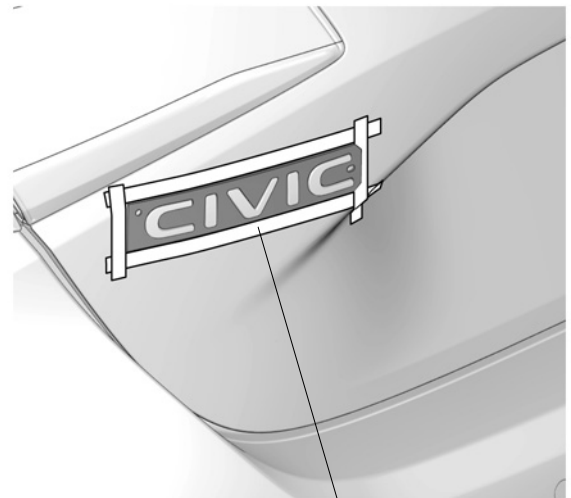


VEHICLE CIVIC EMBLEM

GUIDE FORM

QND2106AJ

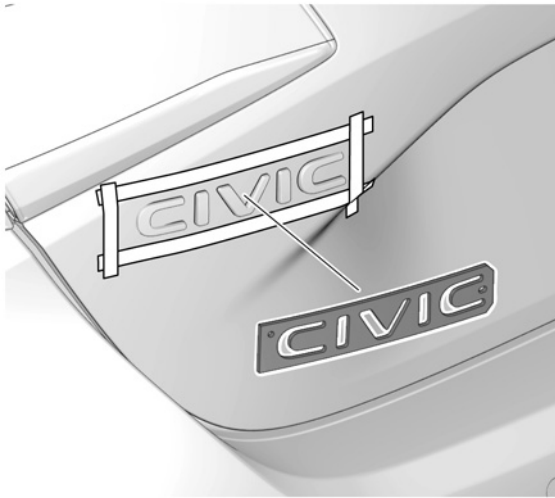
20. Attach the masking tape.



MASKING TAPE

QND2107AJ

21. Remove the guide form.



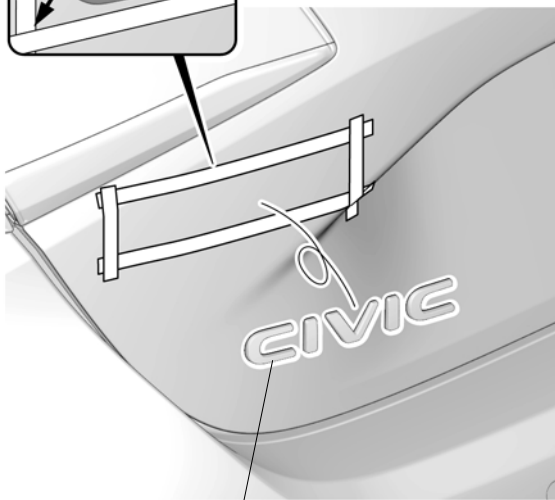
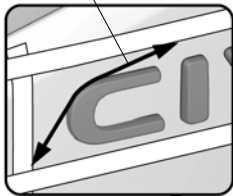
QND2108AJ

22. Remove the vehicle CIVIC emblem.

**NOTE**

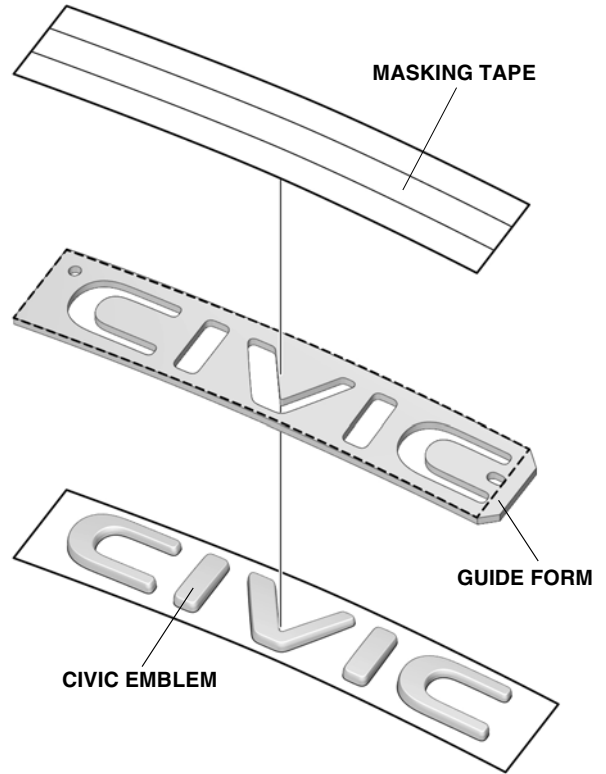
- Do not damage the tailgate when removing the CIVIC emblem with the string.
- Make sure to thoroughly remove the adhesive tape from the tailgate.

STRING  
MOVEMENT



QND2109AJ

23. Install the guide form.



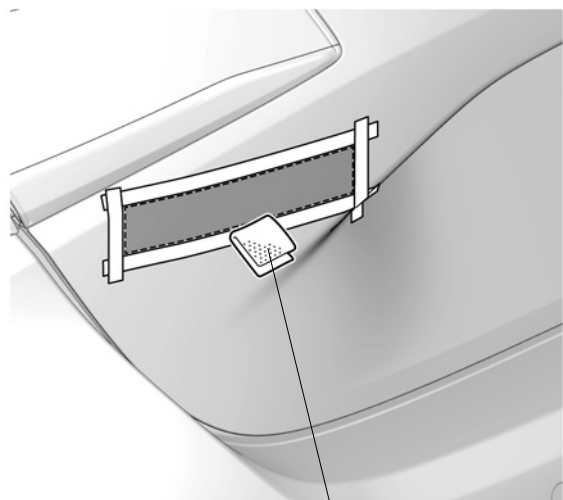
QK40112AU

24. Attach the masking tape.

25. Clean the tailgate.

**NOTE**

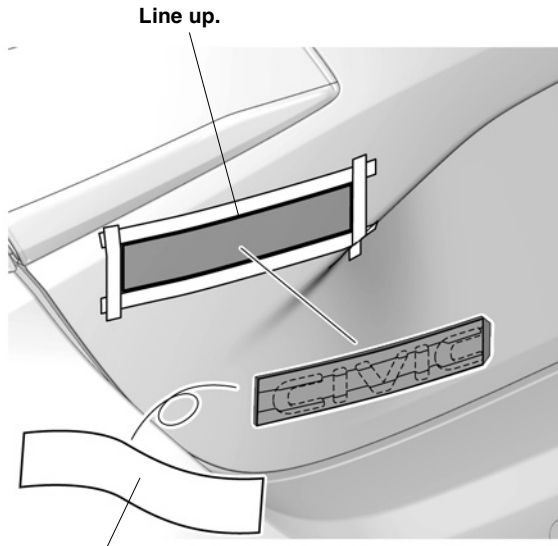
Allow to dry thoroughly.



ALCOHOL WIPE

QND2110AJ

26. Line up the guide form.



**ADHESIVE BACKING  
(Remove.)**

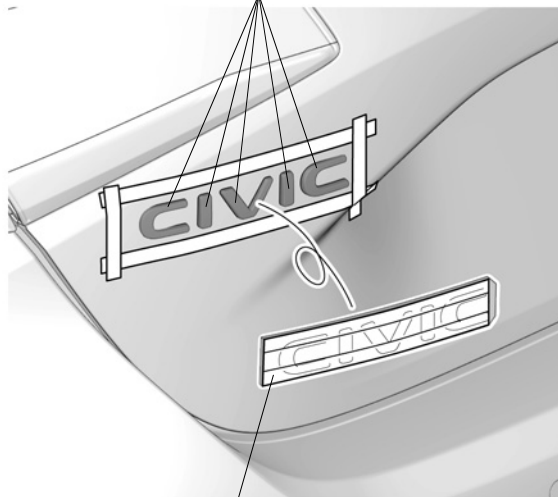
QND2111AJ

27. Attach the CIVIC emblem.

**NOTE**

Check the position of double-sided adhesive tape and make sure to press firmly.

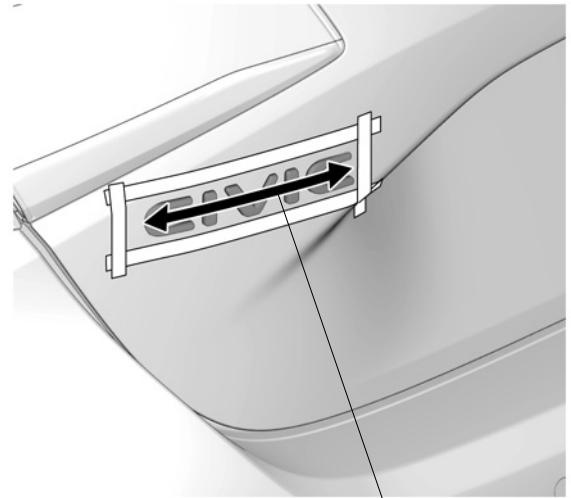
**5 DOUBLE-SIDED  
ADHESIVE TAPES**



QND2112AJ

28. Remove the guide form.

29. Set the adhesive.



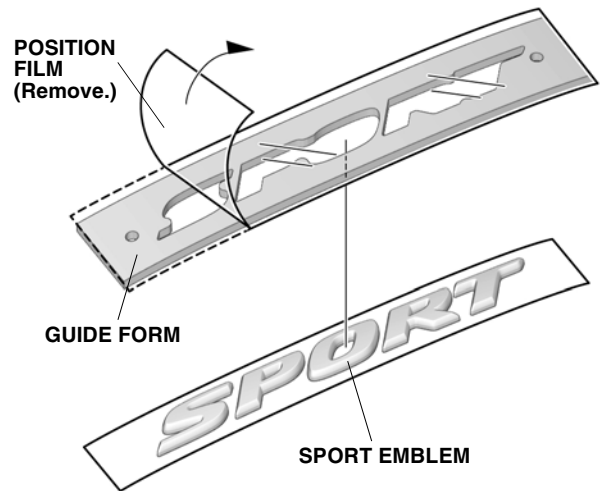
QND2113AJ

30. Remove the masking tape.

31. Choose one of these options.

- With SPORT emblem Go to step 32
- Without SPORT emblem Go to step 61

32. Remove the guide form.

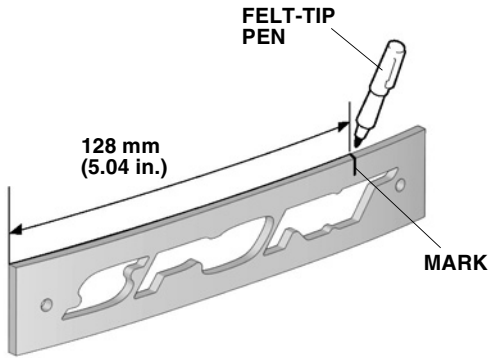


QK40202AU

33. Choose one of these options.

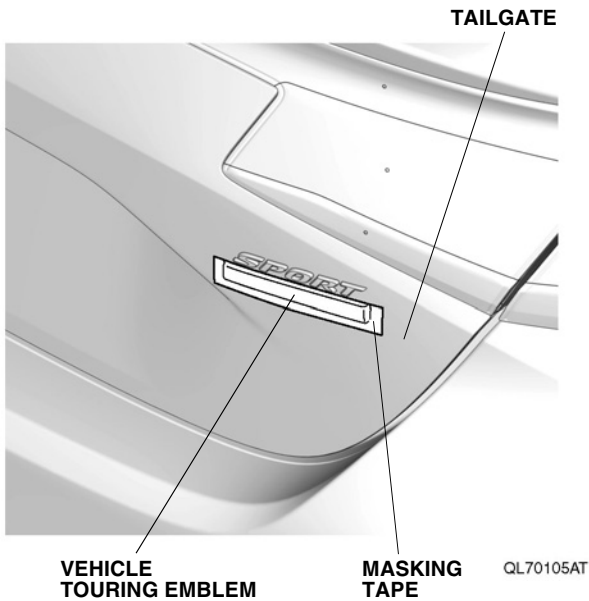
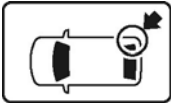
- |                                |               |
|--------------------------------|---------------|
| • With TOURING grade emblem    | Go to step 34 |
| • Without TOURING grade emblem | Go to step 49 |

34. Mark the guide form.



QL70104AT

35. Apply masking tape to protect the vehicle.

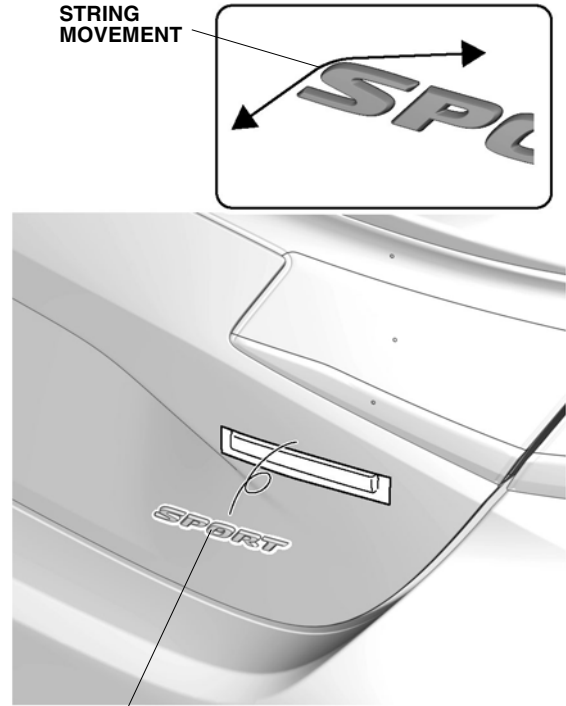


QL70105AT

36. Remove the vehicle SPORT emblem.

### NOTE

- Do not damage the tailgate when removing the SPORT emblem with the string.
- Make sure to thoroughly remove the adhesive tape from the tailgate.

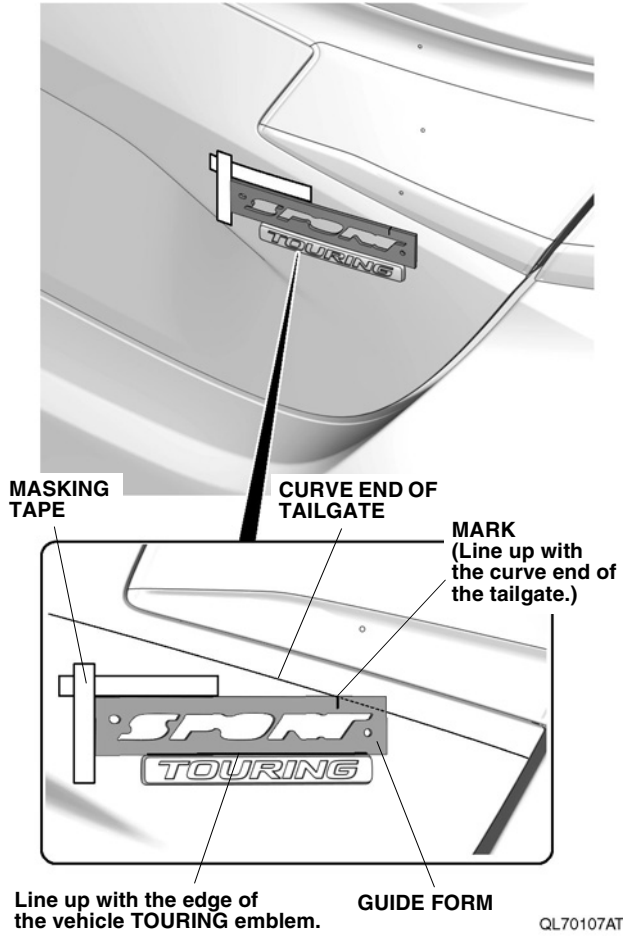


QL70106AT



37. Remove the masking tape.

38. Line up the guide form.



39. Attach the masking tape.

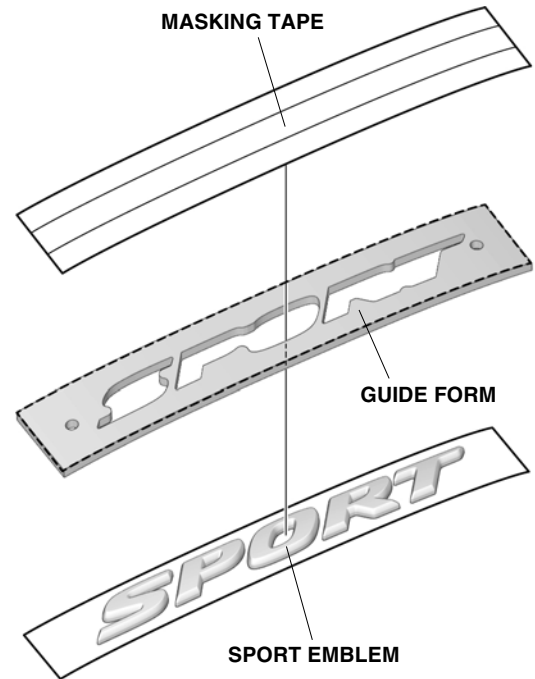
40. Remove the guide form.

41. Clean the tailgate.

<b>NOTE</b>
Allow to dry thoroughly.

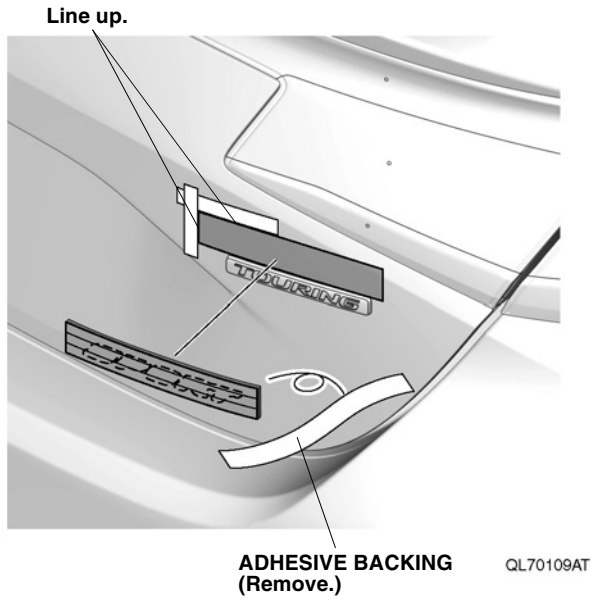


42. Install the guide form.



43. Attach the masking tape.

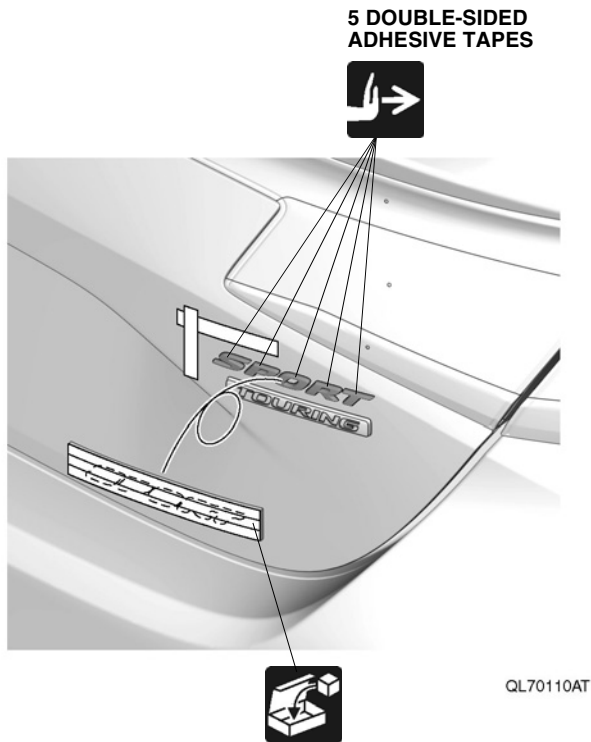
44. Line up the guide form.



45. Attach the SPORT emblem.

**NOTE**

Check the position of double-sided adhesive tape and make sure to press firmly.



46. Remove the guide form.

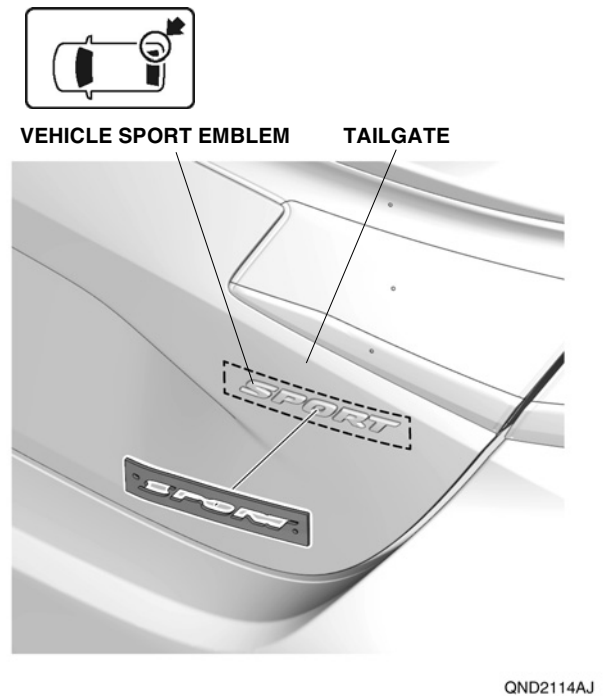
47. Set the adhesive.



48. Remove the masking tape.

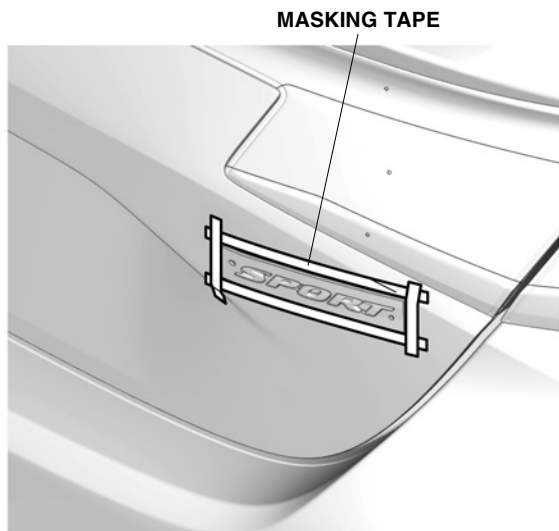
Go to step 61

49. Install the guide form.



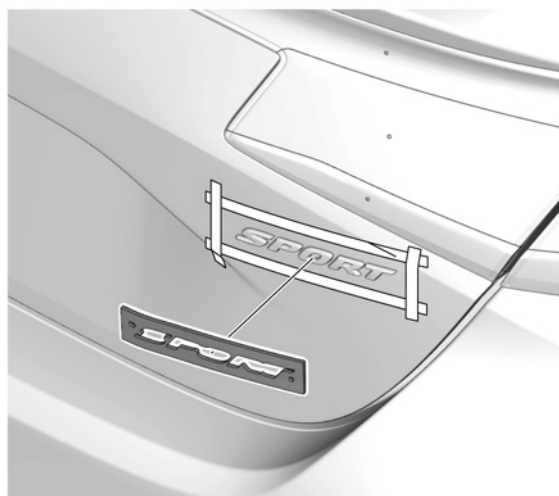


50. Attach the masking tape.



QND2115AJ

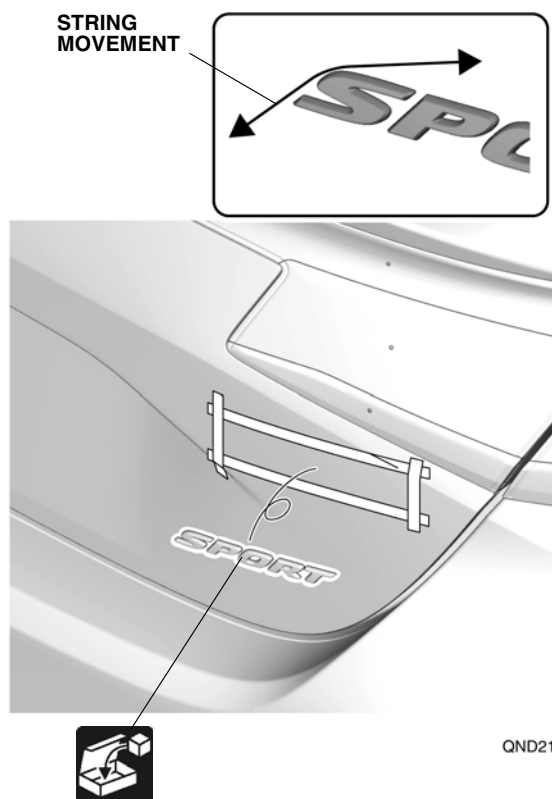
51. Remove the guide form.



QND2116AJ

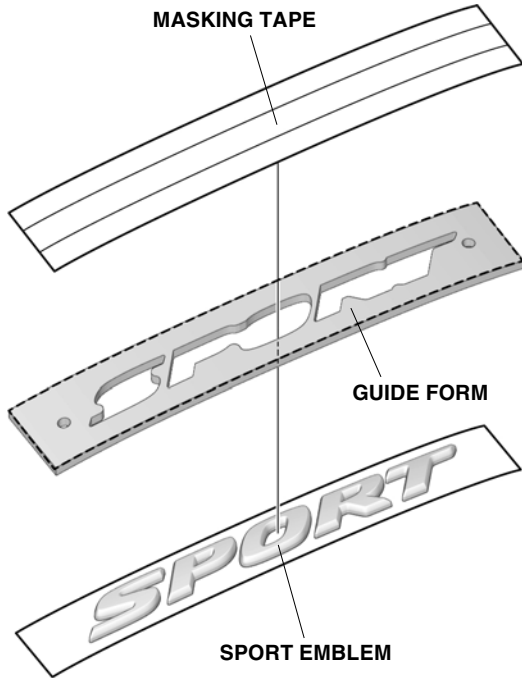
52. Remove the vehicle SPORT emblem.

NOTE
<ul style="list-style-type: none"><li>• Do not damage the tailgate when removing the SPORT emblem with the string.</li><li>• Make sure to thoroughly remove the adhesive tape from the tailgate.</li></ul>



QND2117AJ

53. Install the guide form.



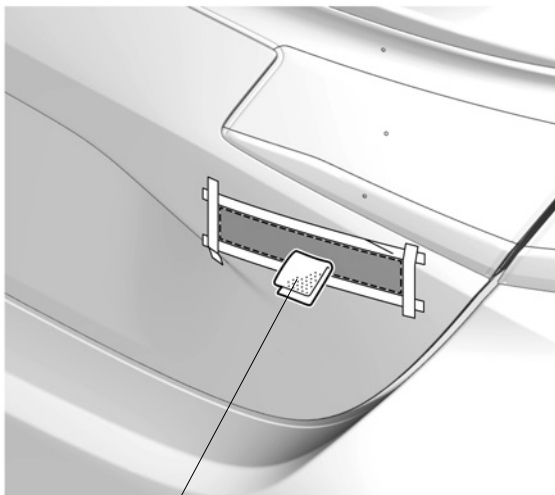
QK40207AU

54. Attach the masking tape.

55. Clean the tailgate.

**NOTE**

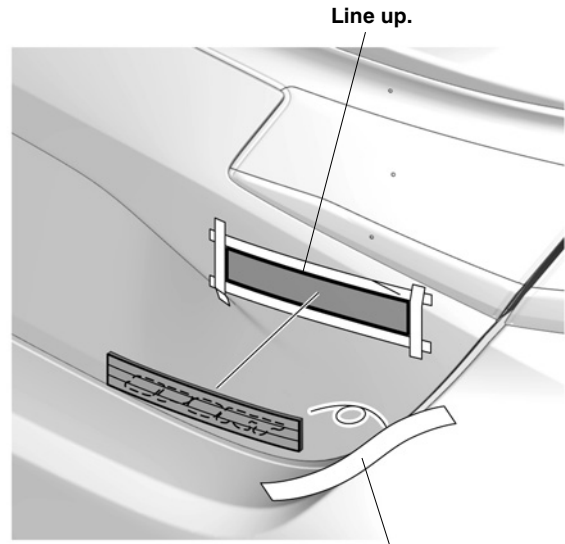
Allow to dry thoroughly.



ALCOHOL WIPE

QND2118AJ

56. Line up the guide form.



Line up.

ADHESIVE BACKING (Remove.)

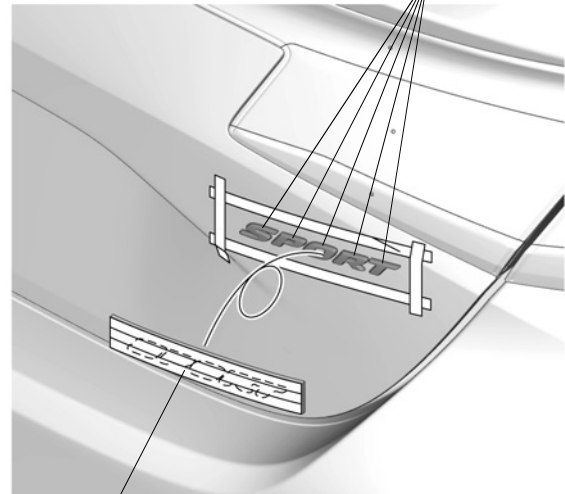
QND2119AJ

57. Attach the SPORT emblem.

**NOTE**

Check the position of double-sided adhesive tape and make sure to press firmly.

5 DOUBLE-SIDED ADHESIVE TAPES



QND2120AJ

58. Remove the guide form.

59. Set the adhesive.



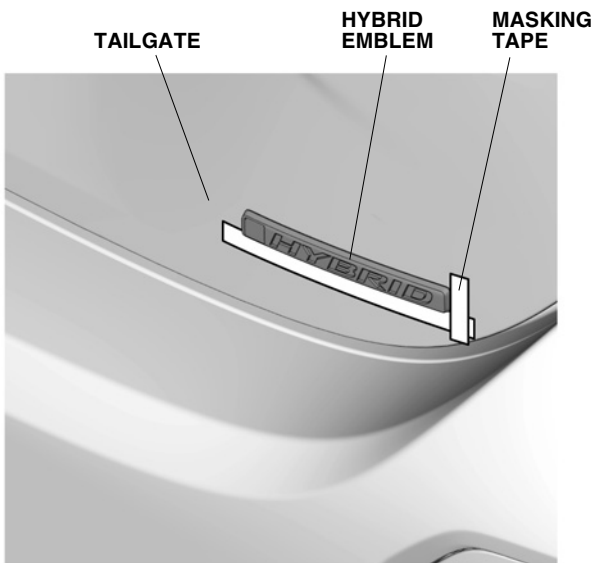
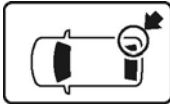
QND2121AJ

60. Remove the masking tape.

61. Choose one of these options.

- |                         |               |
|-------------------------|---------------|
| • With HYBRID emblem    | Go to step 62 |
| • Without HYBRID emblem | Go to step 69 |

62. Attach the masking tape.



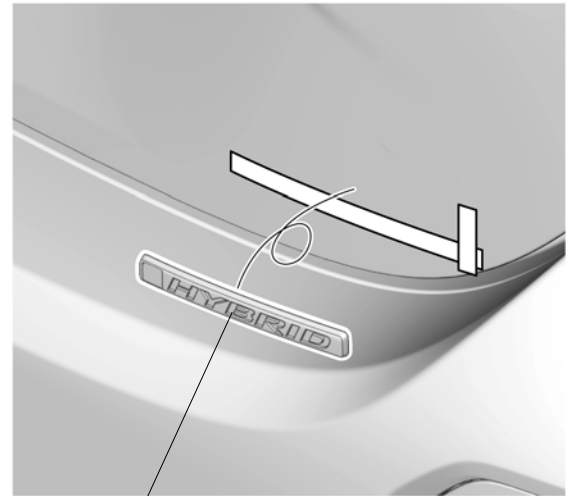
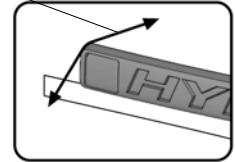
QND2122AJ

63. Remove the HYBRID emblem.

**NOTE**

- Do not damage the tailgate when removing the HYBRID emblem with the string.
- Make sure to thoroughly remove the adhesive tape from the tailgate.

STRING  
MOVEMENT

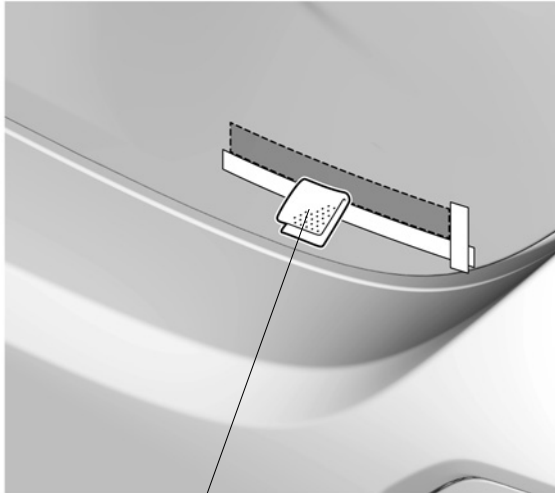


QND2123AJ

64. Clean the tailgate.

**NOTE**

Allow to dry thoroughly.



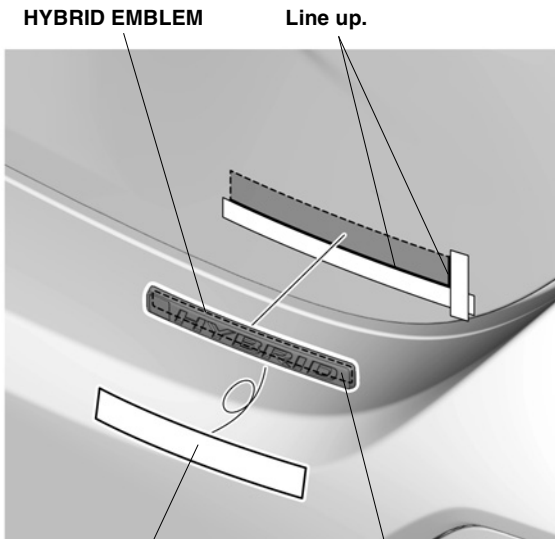
ALCOHOL WIPE

QND2124AJ

65. Attach the HYBRID emblem.

**NOTE**

Check the position of double-sided adhesive tape and make sure to press firmly.



HYBRID EMBLEM

Line up.

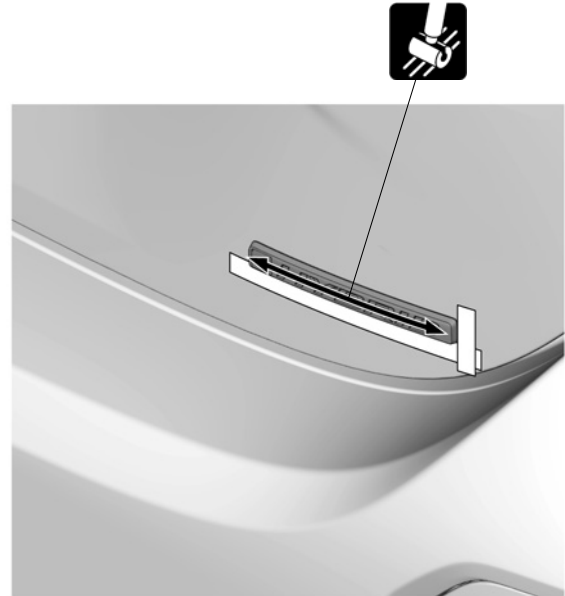
ADHESIVE BACKING  
(Remove.)

DOUBLE-SIDED  
ADHESIVE TAPE

QND2125BJ

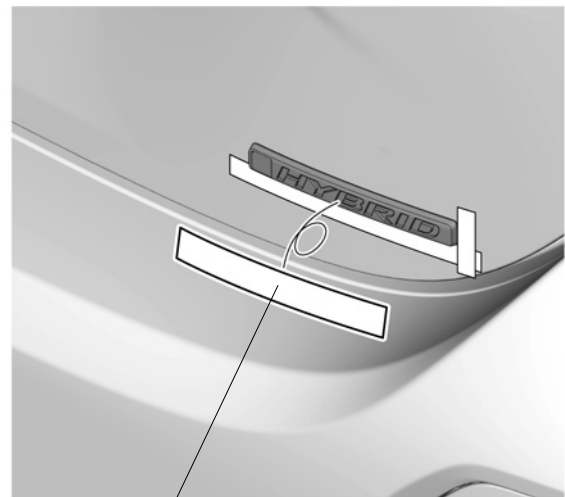


66. Set the adhesive.



QND2126AJ

67. Remove the film.



FILM  
(Remove.)

QND2127AJ

68. Remove the masking tape.

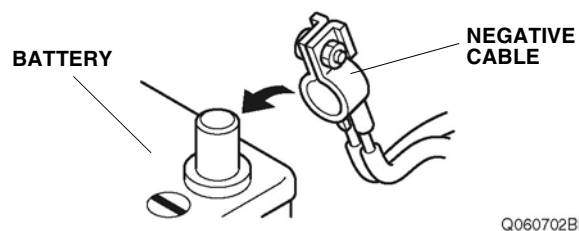
69. Check that all parts are installed and properly routed.

**NOTE**

- Check that all harnesses are not pulled or pinched.
- Make sure all clips and wire ties are securely installed.

70. Install all removed parts.

71. Connect the negative cable to the battery.



- 72. Make sure all accessories and systems operate properly.
- 73. If necessary, restore the systems back to normal operation as described in the service information.
- 74. Press and hold the audio unit power button for 2 seconds to restore the audio and navi (if equipped) system functions.