

# Germain Honda of College Hills



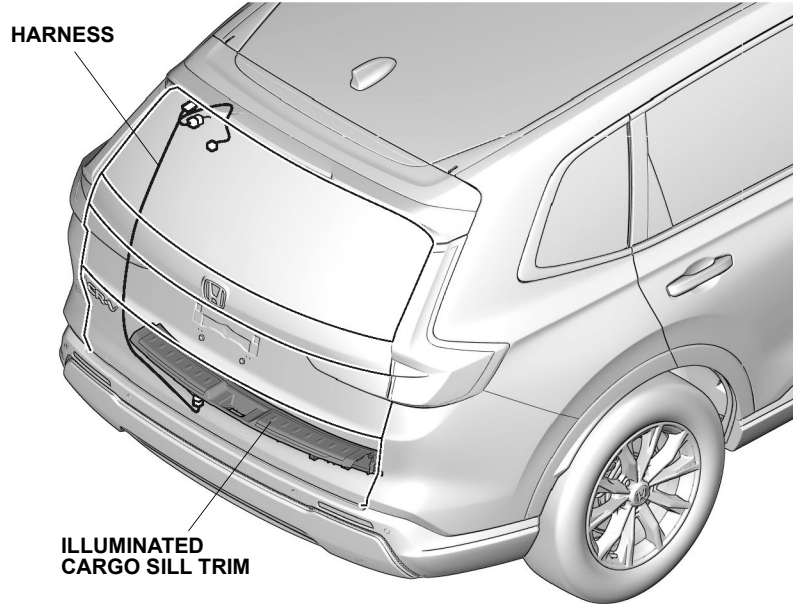
## INSTALLATION INSTRUCTIONS

Accessory  
ILLUMINATED  
CARGO SILL TRIM

Application  
2023 CR-V  
MODEL SERIES

Publications No.  
VERSION 1  
Issue Date  
AUG 2022

### GENERAL VIEW



QL01103AG

### FOR YOUR SAFETY (Read carefully.)

#### Warning Symbols

Safety: Your safety, and the safety of others, is important. To help you make informed decisions about service procedures, we have provided safety messages where appropriate. Of course, it is not practical or possible to warn you about all the hazards associated with servicing a vehicle - you must use your own good judgment.

You will find important safety messages preceded by one of the following symbols:

\*All symbols are not used in all installation instructions.

**⚠ DANGER**

You will be killed or seriously hurt if you do not follow the instructions.

**⚠ WARNING**

You can be killed or seriously hurt if you do not follow the instructions.

**⚠ CAUTION**

You can be hurt if you do not follow the instructions.

**NOTICE**

Gives advice to prevent damage to the product, vehicle, the environment or other property.

**NOTE**

Gives helpful information or instructions to be followed when installing this product.



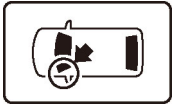
Indicates a prohibited action.

# Germain Honda of College Hills

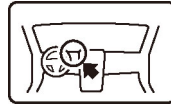
## Procedure and Location Icons

These icons indicate the work location and the worker's point of view.

\*All icons are not used in all installation instructions.



The location on the vehicle.



The location in the vehicle.  
(Instrument panel.)



Wear eye protection.



Wear heavy gloves.



Use an assistant.



Place the part on a blanket.



Work perpendicular.



Remove any burrs.



Use touch-up paint and allow to dry.



Tighten to the specified torque.



Apply firm pressure while rolling, especially at the ends, to set the adhesive.



Press firmly.

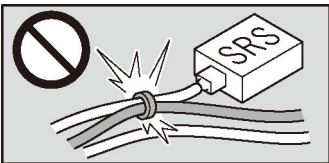


Clean with isopropyl alcohol.

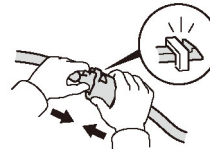


Return the original part to the customer.  
(Do not reuse.)

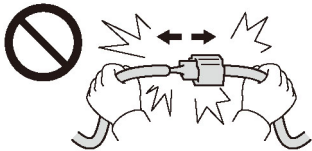
## Wire Harness Routing Precaution



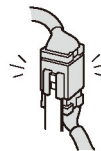
Do not secure the accessory harness to the SRS harness.  
(except for instruction cases.)



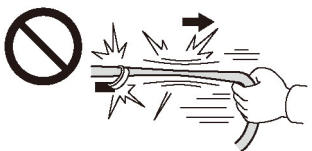
Push the connectors and terminals together until they lock.



Do not pull the harness to unplug the connectors.



Install removed connectors in their original location.



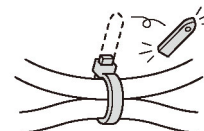
Do not pull the harness.



Secure the accessory harness as shown.



Do not pinch the harness.



Cut off the excess wire tie.

# Germain Honda of College Hills

## Safety: General

- Observe all safety notes and precautions described in the service information, in addition to those described in this Installation Instruction. Be extremely careful for your safety and safety of others.
- Be careful not to damage the vehicle or the parts.
- Be extremely careful when handling retaining tabs and clips.
- Note the locations of the parts before removing them so they can be properly installed in their original positions.
- The illustrations may differ slightly from the actual accessory.

## Safety: Electric Parts

Always disconnect the negative cable from the battery before beginning work.

## Safety: Accessory

- Do not install the accessory on a dirty surface or in direct sunlight.
- Make sure the ambient air temperature is 60°F (15°C) or above when installing accessories that use adhesive material.
- When pressing the accessory firmly with the palm of your hand, be careful not to damage it or the vehicle.
- When applying adhesive material, make sure it is lined up properly before attaching. Once the adhesive material touches the surface, do not try to remove it. If you do, you could damage the part.

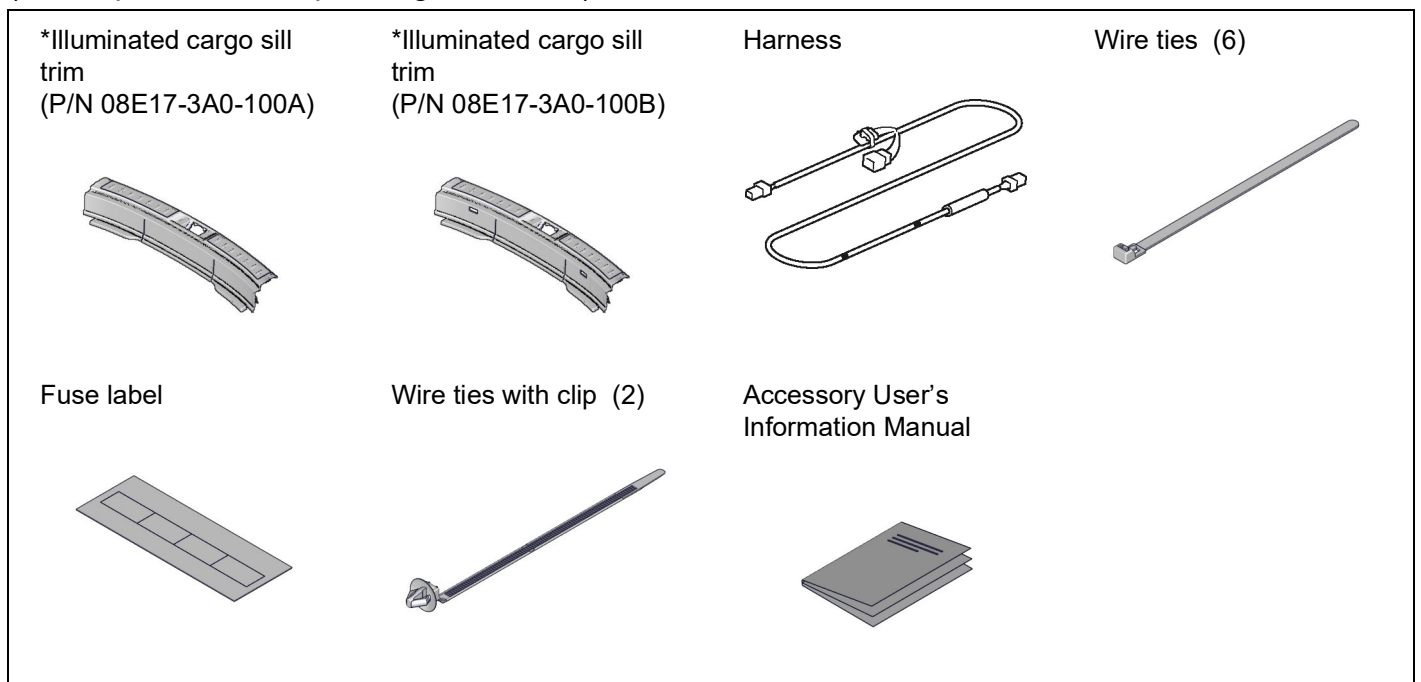
## PARTS LIST

### Illuminated Cargo Sill Trim Kit

(P/N 08E17-3A0-100A)

(P/N 08E17-3A0-100B)

(\*: The part differs depending on the kit.)



# Germain Honda of College Hills

## REQUIRED TOOLS AND SUPPLIES

- 10 mm Open end wrench
- Phillips screwdriver
- Isopropyl alcohol
- Diagonal cutters
- Shop towel

The following tools are available through the Honda Tool and Equipment Program:

- Trim Tool Set (T/N SOJATP2014)
- Plastic Trim Tool (T/N SILTRIMTL10)

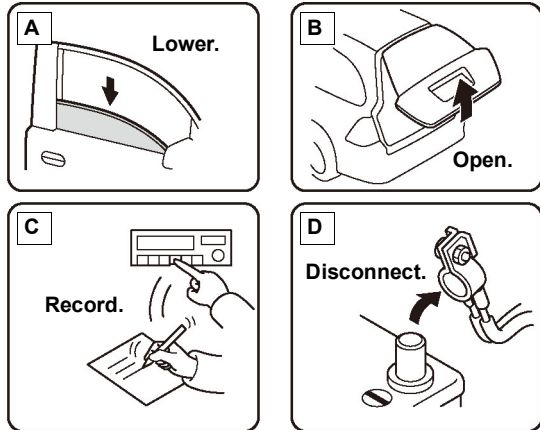
# Germain Honda of College Hills

## INSTALLATION

1. Disconnect the negative cable from the battery.

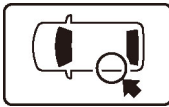
### NOTE

With the driver's door open, turn the vehicle to the OFF (LOCK) mode, then wait at least 3 minutes before disconnecting the 12 volt negative battery cable.



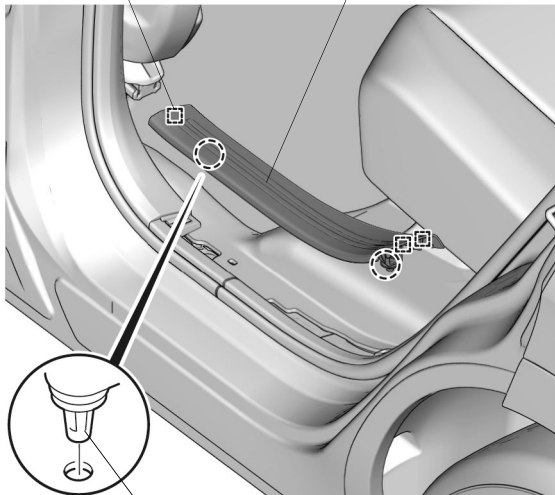
QCD0504BM

2. Remove the left rear door sill trim.



3 RETAINING  
TABS

LEFT REAR DOOR  
SILL TRIM



2 CLIPS

QL01111AB

3. Choose one of these options.

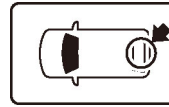
• Petrol models

Go to step 4

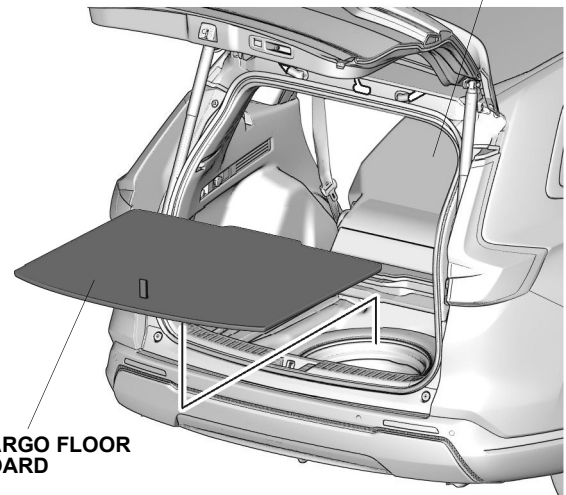
• Hybrid models

Go to step 12

4. Fold down the left rear seat-back.



LEFT REAR  
SEAT-BACK



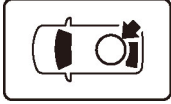
CARGO FLOOR  
BOARD

QL01104AG

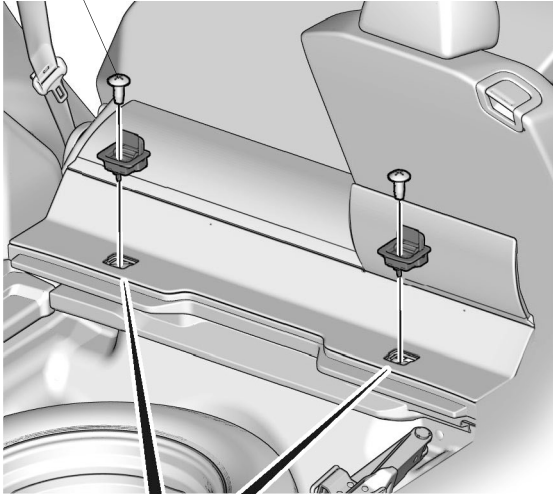
5. Remove the cargo floor board.

# Germain Honda of College Hills

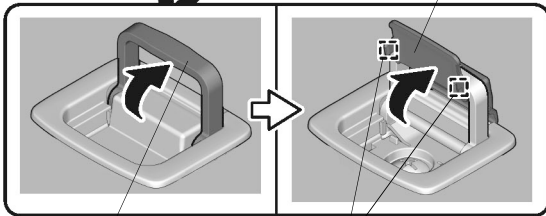
6. Remove the tie-down hooks.



2 SELF-TAPPING SCREWS



2 COVERS



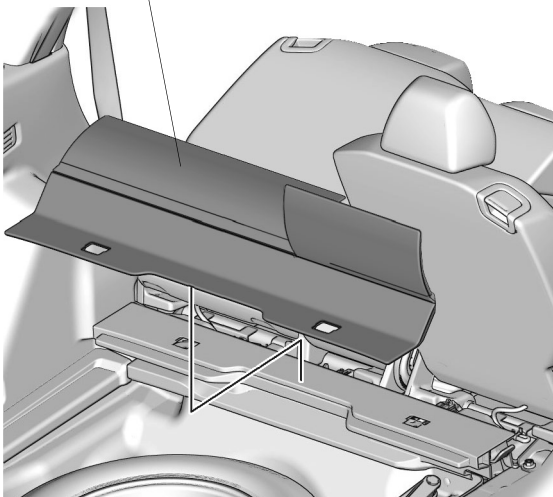
2 TIE-DOWN HOOKS

4 RETAINING TABS

QL01105AG

7. Remove the cargo floor lid.

CARGO FLOOR LID

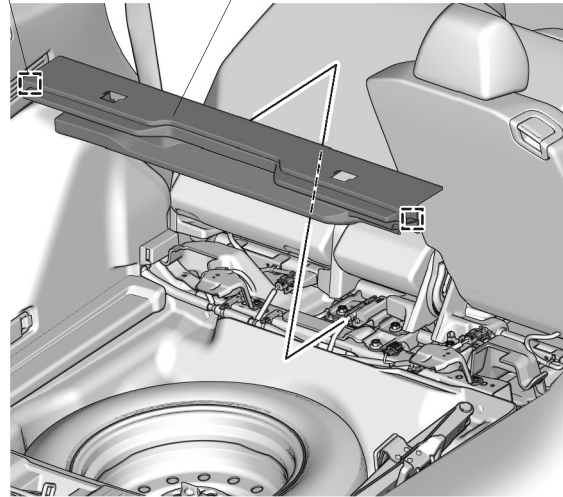


QL01106AG

8. Remove the floor carpet cover.

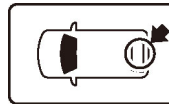
2 RETAINING TABS

FLOOR CARPET COVER

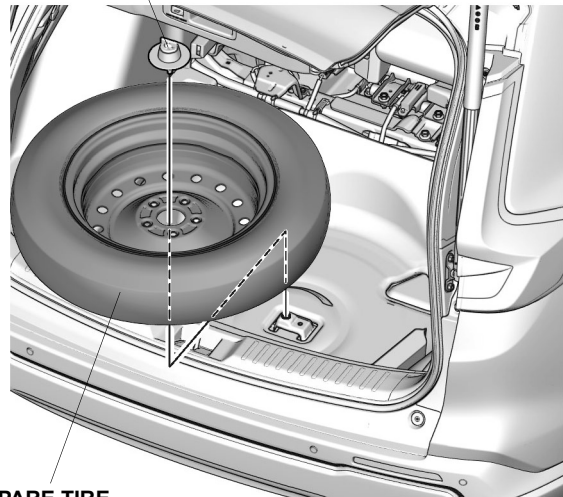


QL01107AG

9. Remove the spare tire.



BOLT

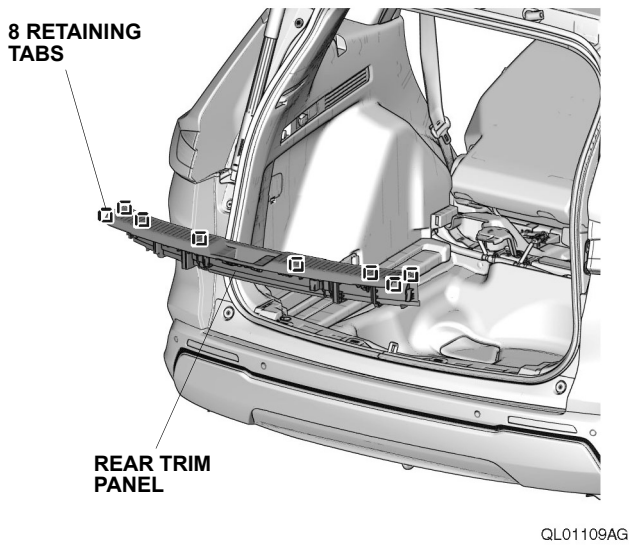


SPARE TIRE

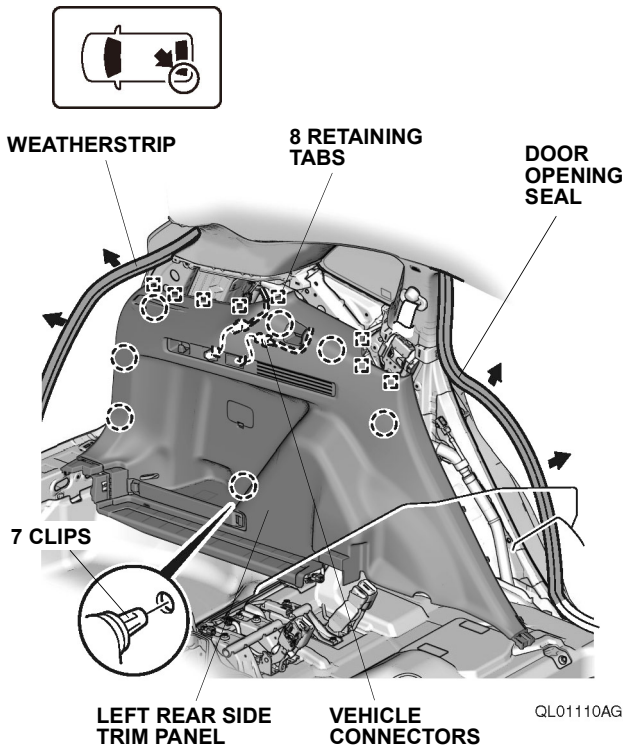
QL01108AG

# Germain Honda of College Hills

10. Remove the rear trim panel.

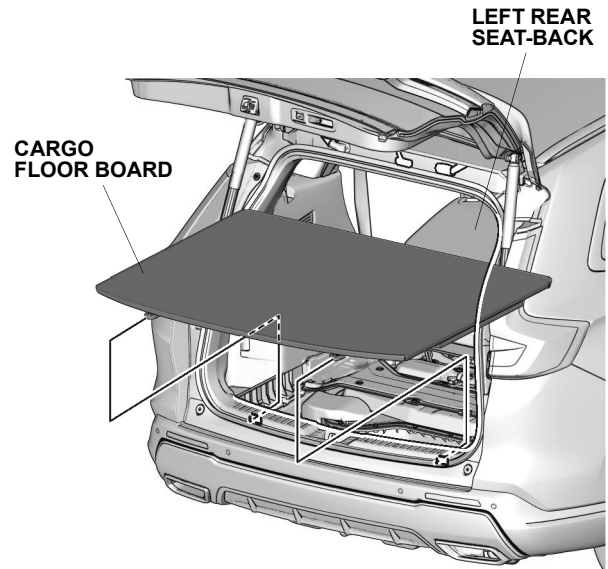
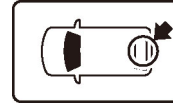


11. Remove the left rear side trim panel.



Go to step 18

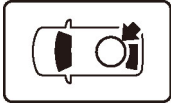
12. Fold down the left rear seat-back.



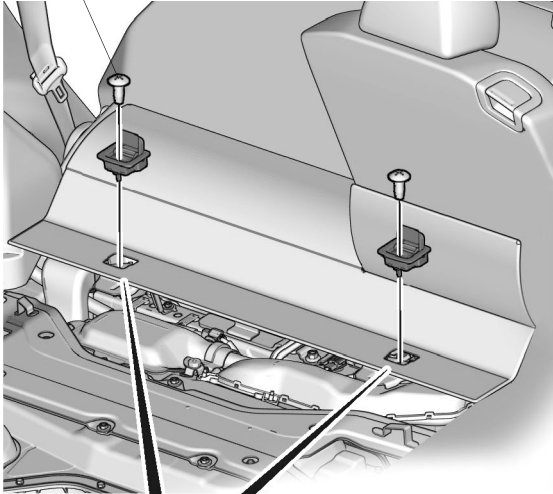
13. Remove the cargo floor board.

# Germain Honda of College Hills

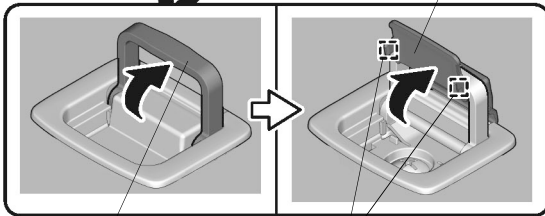
14. Remove the tie-down hooks.



2 SELF-TAPPING SCREWS



2 COVERS



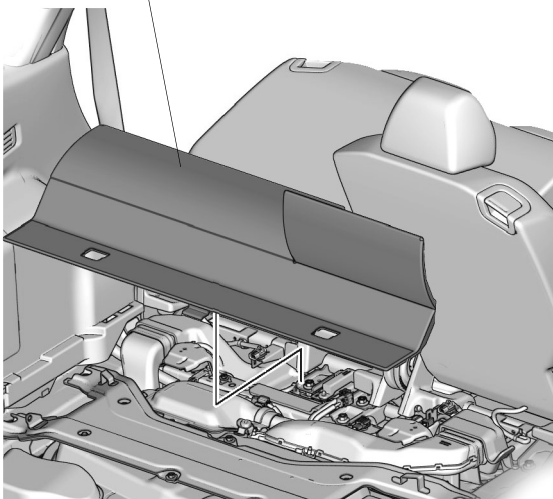
2 TIE-DOWN HOOKS

4 RETAINING TABS

QL01112AG

15. Remove the cargo floor lid.

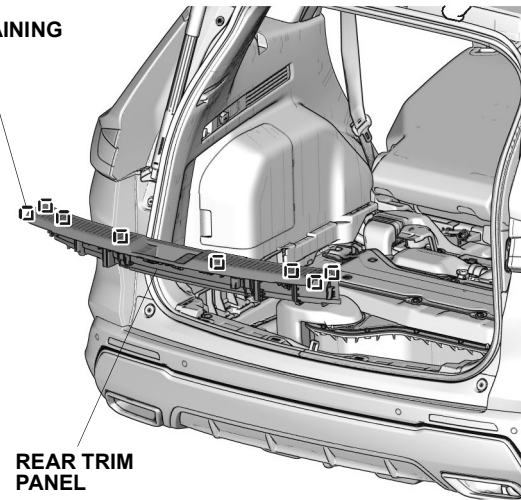
CARGO FLOOR LID



QL01113AG

16. Remove the rear trim panel.

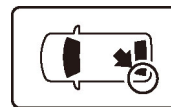
8 RETAINING TABS



REAR TRIM PANEL

QL01114AG

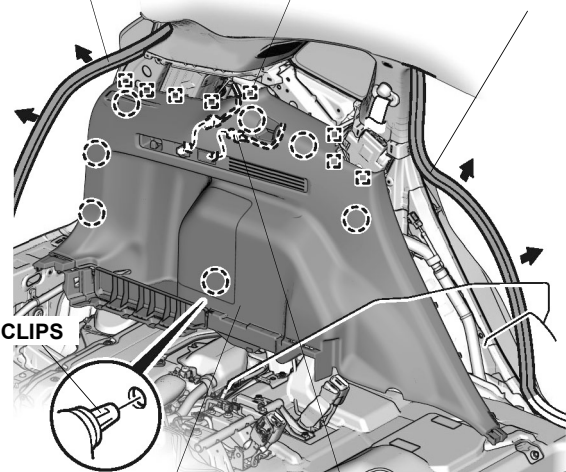
17. Remove the left rear side trim panel.



WEATHERSTRIP

8 RETAINING TABS

DOOR OPENING SEAL



7 CLIPS

LEFT REAR SIDE TRIM PANEL

VEHICLE CONNECTORS

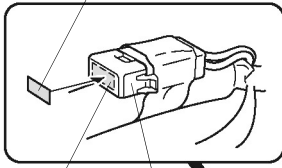
QL01115AG



# Germain Honda of College Hills

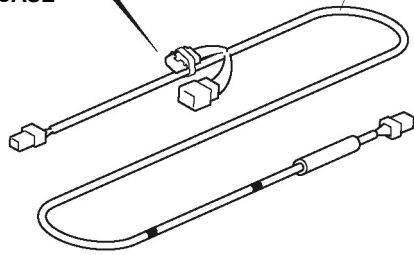
18. Attach the fuse label.

FUSE LABEL  
(2A STEP ILLUMI)



FUSE  
CASE

HARNESS

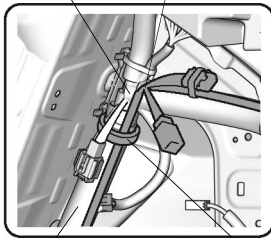


QL01209AG

19. Secure the harness.

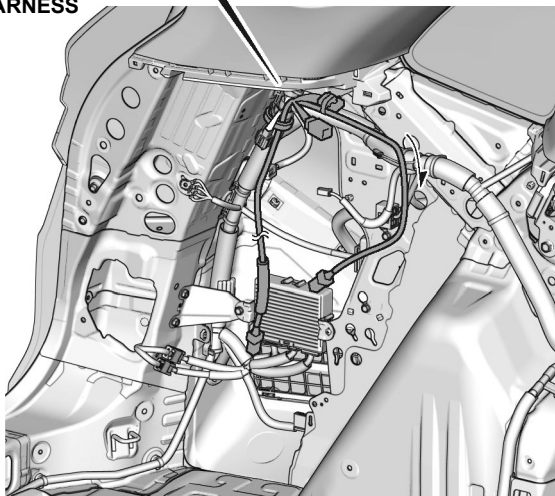
HARNESS  
BRANCH SECTION

VEHICLE HARNESS  
BRANCH SECTION



VEHICLE  
HARNESS

WIRE TIE

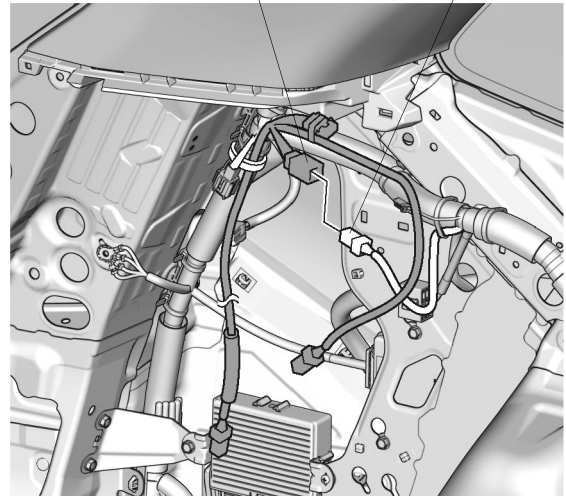


QL01201AG

20. Plug-in the vehicle connector.

HARNESS 2-PIN  
CONNECTOR

VEHICLE 2-PIN  
CONNECTOR

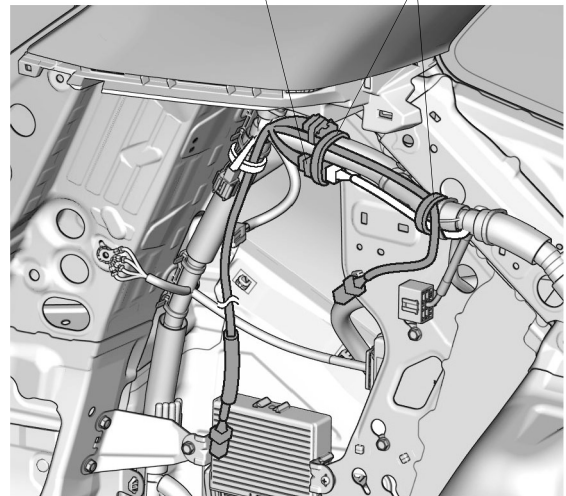


QL01202AG

21. Secure the harness and connectors.

2-PIN  
CONNECTORS

2 WIRE  
TIES



QL01203AG

# Germain Honda of College Hills

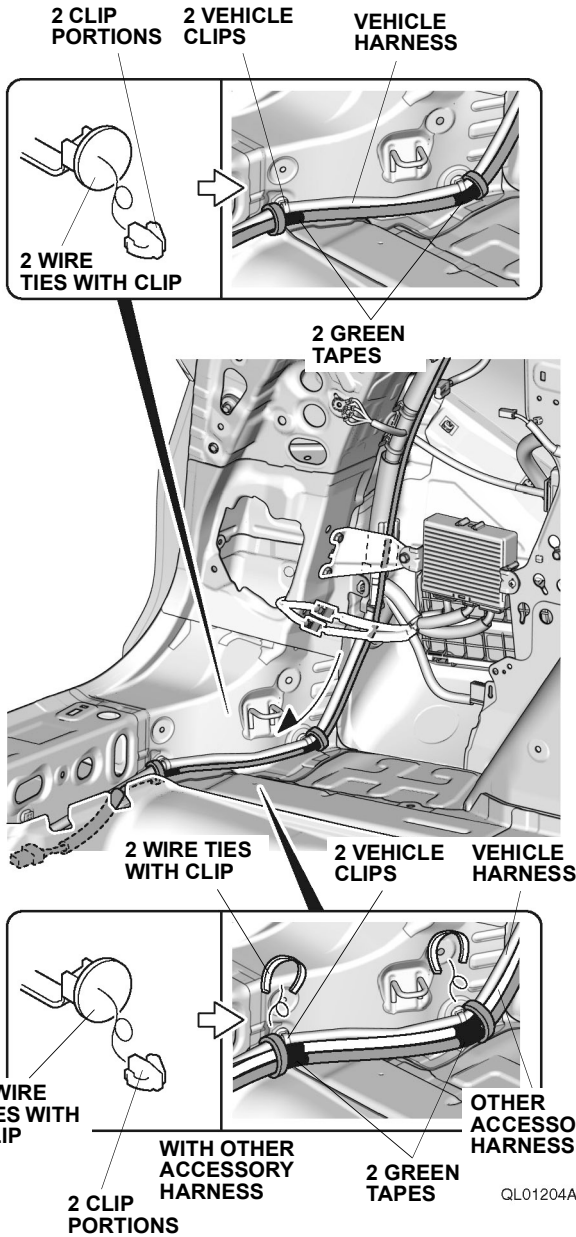
22. Choose one of these options.

- |                           |               |
|---------------------------|---------------|
| • With vehicle harness    | Go to step 23 |
| • Without vehicle harness | Go to step 24 |

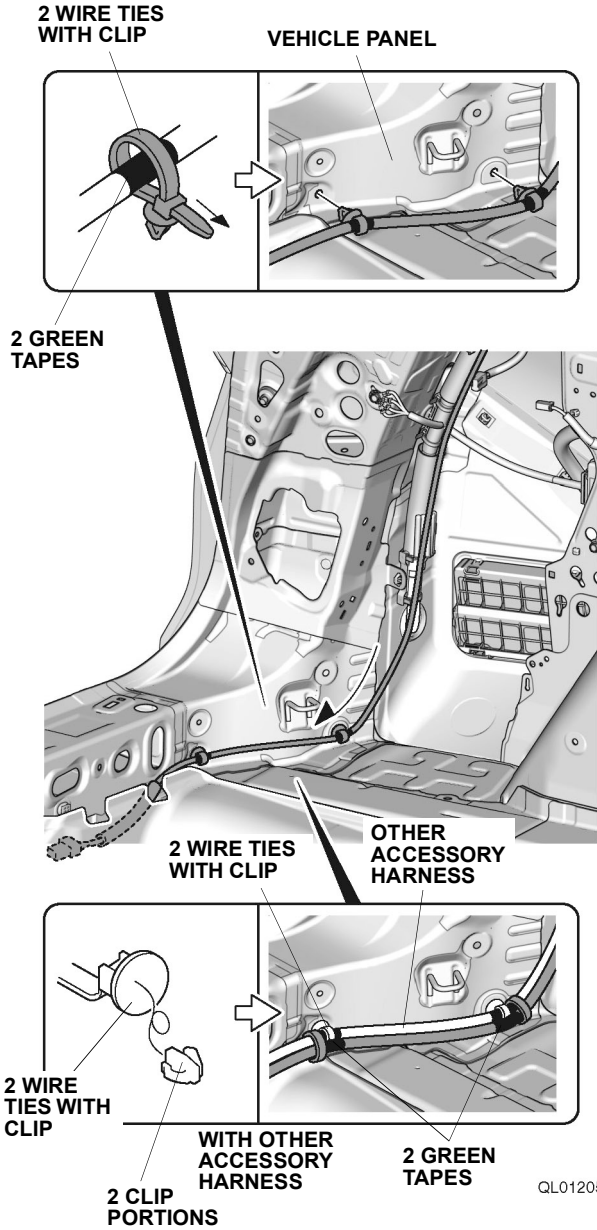
23. Secure the harness.

## NOTE

Be careful not to damage the harness.



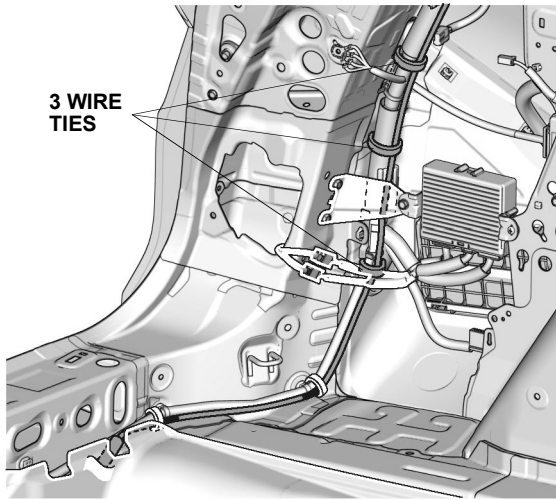
24. Secure the harness.



Go to step 25

# Germain Honda of College Hills

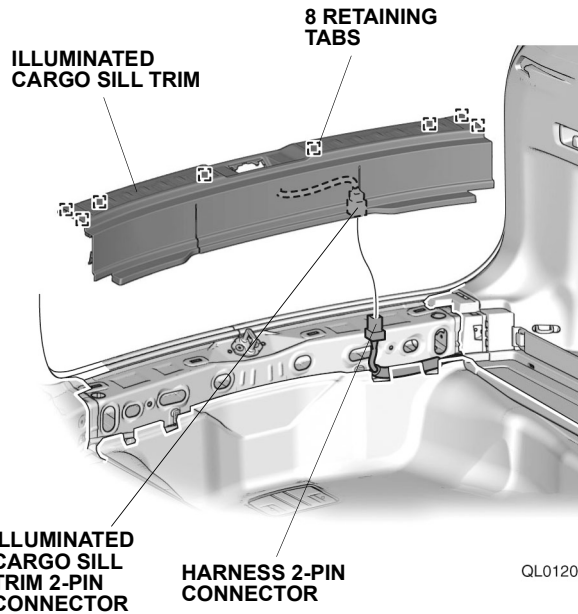
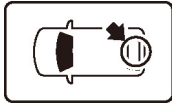
25. Secure the harness.



QL01206AG

26. Install the left rear side trim panel.

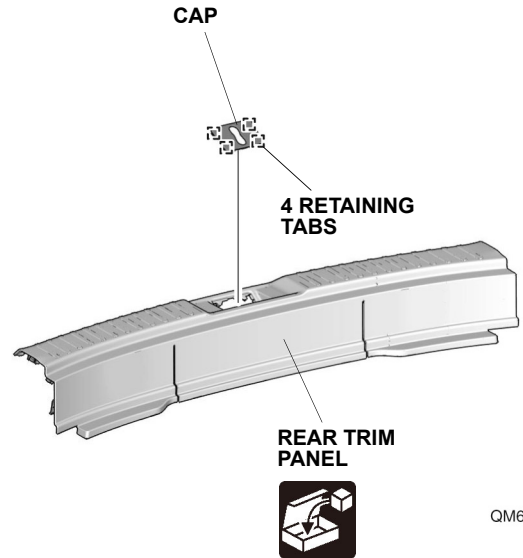
27. Plug-in the harness connector.



QL01207BG

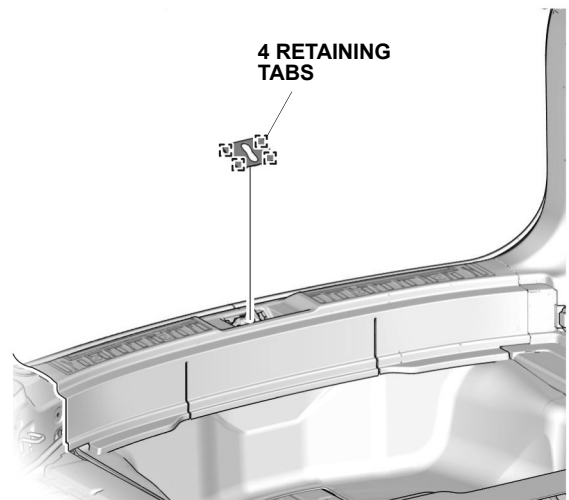
28. Install the illuminated cargo sill trim.

29. Remove the cap.



QM62101AG

30. Install the cap.



QM62102AG

# Germain Honda of College Hills

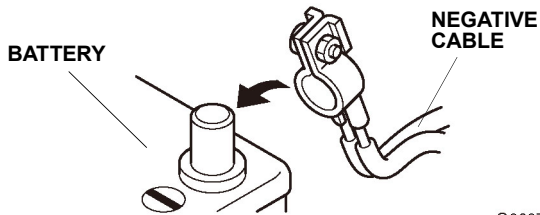
31. Check that all parts are installed and properly routed.

## NOTE

- Check that all harnesses are not pulled and not pinched.
- Make sure all clamps and wire ties are securely installed.

32. Install all removed parts.

33. Connect the negative cable to the battery.



34. Make sure the accessory operates as described in the Accessory User's Information Manual.

35. Make sure all accessories and systems operate properly.

36. If necessary, restore the systems back to normal operation as described in the service information.

37. Press and hold the audio unit power button for 2 seconds to restore the audio and navi (if equipped) system functions.

38. Give the Accessory User's Information Manual to the customer.