

Germain Honda of College Hills



INSTALLATION INSTRUCTIONS

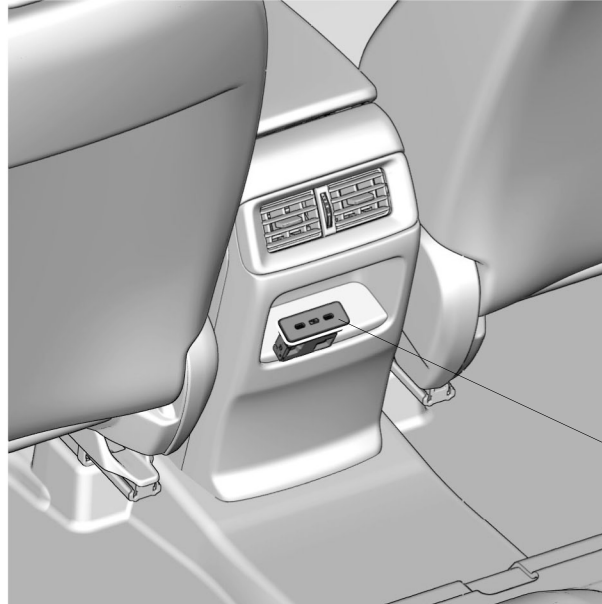
Accessory
REAR USB CHARGER

Application
**2023 CR-V
MODEL SERIES**

Publications No.
VERSION 1

Issue Date
AUG 2022

GENERAL VIEW



QM60201AB

FOR YOUR SAFETY (Read carefully.)

Warning Symbols

Safety: Your safety, and the safety of others, is important. To help you make informed decisions about service procedures, we have provided safety messages where appropriate. Of course, it is not practical or possible to warn you about all the hazards associated with servicing a vehicle - you must use your own good judgment.

You will find important safety messages preceded by one of the following symbols:

*All symbols are not used in all installation instructions.

 **DANGER**

You will be killed or seriously hurt if you do not follow the instructions.

 **WARNING**

You can be killed or seriously hurt if you do not follow the instructions.

 **CAUTION**

You can be hurt if you do not follow the instructions.

NOTICE

Gives advice to prevent damage to the product, vehicle, the environment or other property.

NOTE

Gives helpful information or instructions to be followed when installing this product.



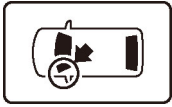
Indicates a prohibited action.

Germain Honda of College Hills

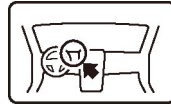
Procedure and Location Icons

These icons indicate the work location and the worker's point of view.

*All icons are not used in all installation instructions.



The location on the vehicle.



The location in the vehicle.
(Instrument panel.)



Wear eye protection.



Wear heavy gloves.



Use an assistant.



Place the part on a blanket.



Work perpendicular.



Remove any burrs.



Use touch-up paint and allow to dry.



Tighten to the specified torque.



Apply firm pressure while rolling, especially at the ends, to set the adhesive.



Press firmly.

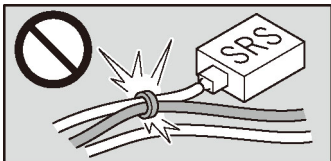


Clean with isopropyl alcohol.

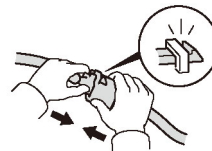


Return the original part to the customer.
(Do not reuse.)

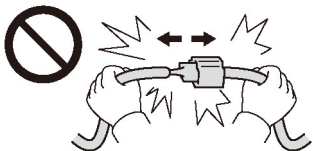
Wire Harness Routing Precaution



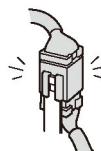
Do not secure the accessory harness to the SRS harness. (except for instruction cases.)



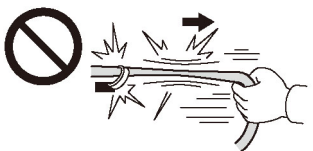
Push the connectors and terminals together until they lock.



Do not pull the harness to unplug the connectors.



Install removed connectors in their original location.



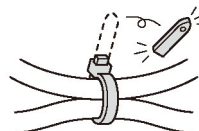
Do not pull the harness.



Secure the accessory harness as shown.



Do not pinch the harness.



Cut off the excess wire tie.

Germain Honda of College Hills

Safety: General

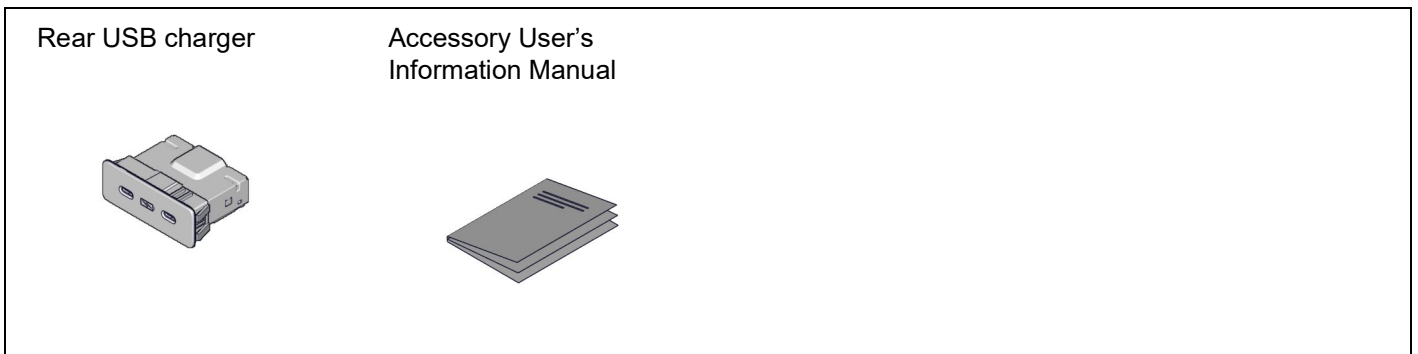
- Observe all safety notes and precautions described in the service information, in addition to those described in this Installation Instruction. Be extremely careful for your safety and safety of others.
- Be careful not to damage the vehicle or the parts.
- Be extremely careful when handling retaining tabs and clips.
- Note the locations of the parts before removing them so they can be properly installed in their original positions.
- The illustrations may differ slightly from the actual accessory.

Safety: Electric Parts

Always disconnect the negative cable from the battery before beginning work.

PARTS LIST

Rear USB Charger Kit (P/N 08U57-3A0-100)



REQUIRED TOOLS AND SUPPLIES

10 mm Open end wrench

The following tools are available through the Honda Tool and Equipment Program:

- Trim Tool Set (T/N SOJATP2014)
- Plastic Trim Tool (T/N SILTRIMTL10)

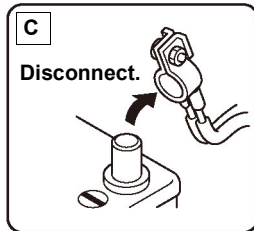
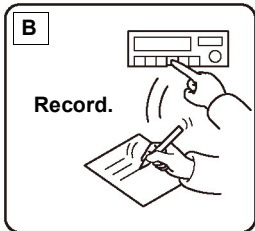
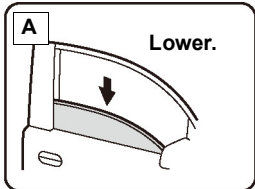
Germain Honda of College Hills

INSTALLATION

1. Disconnect the negative cable from the battery.

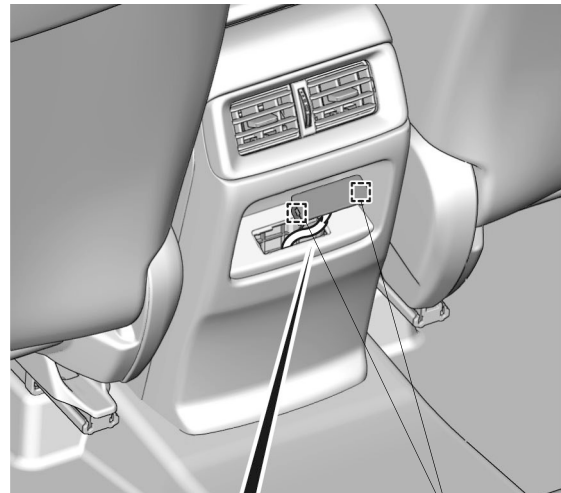
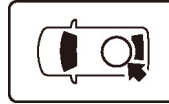
NOTE

With the driver's door open, turn the vehicle to the OFF (LOCK) mode, then wait at least 3 minutes before disconnecting the 12 volt negative battery cable.



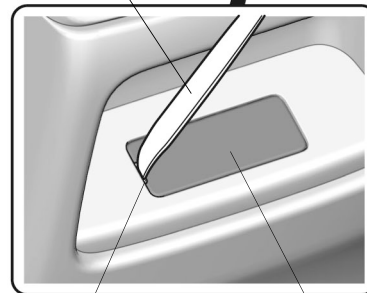
QCD0502BM

2. Remove the lid.



PLASTIC TRIM TOOL

2 RETAINING TABS



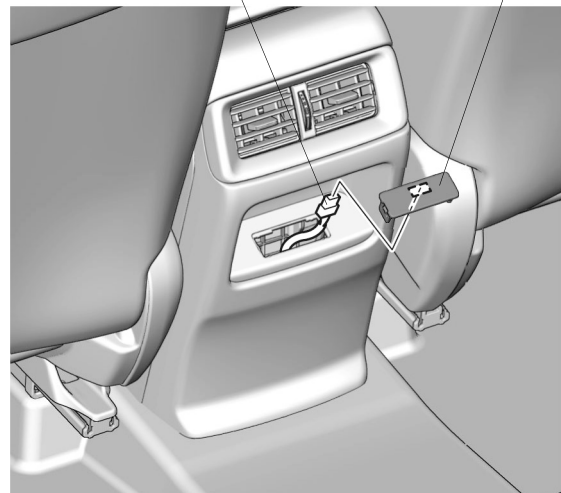
SLOT

LID

QM60202BB

3. Unplug the vehicle connector.

VEHICLE 5-PIN CONNECTOR



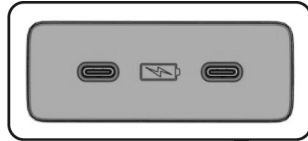
QM60203BB

Germain Honda of College Hills

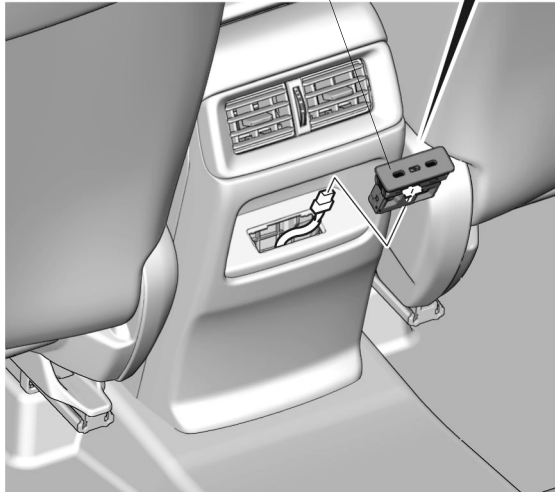
4. Plug-in the vehicle connector.

NOTE

Make sure to install the rear USB charger in the correct orientation.



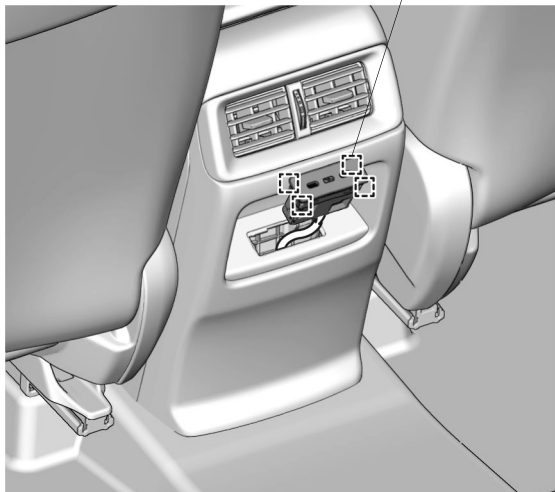
REAR USB CHARGER



QM60204BB

5. Install the rear USB charger.

4 RETAINING TABS



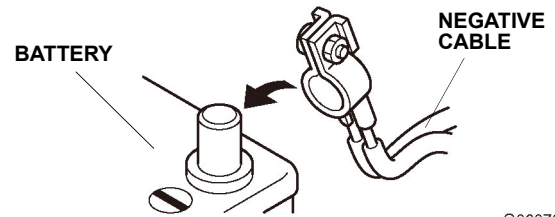
QM60205BB

6. Check that all parts are installed and properly routed.

NOTE

- Check that all harnesses are not pulled or pinched.
- Make sure all clips and wire ties are securely installed.

7. Connect the negative cable to the battery.



Q060702BM

8. Make sure the accessory operates as described in the Accessory User's Information Manual.
9. Make sure all accessories and systems operate properly.
10. If necessary, restore the systems back to normal operation as described in the service information.
11. Press and hold the audio unit power button for 2 seconds to restore the audio and navi (if equipped) system functions.
12. Give the Accessory User's Information Manual to the customer.