

Germain Honda of College Hills



INSTALLATION INSTRUCTIONS

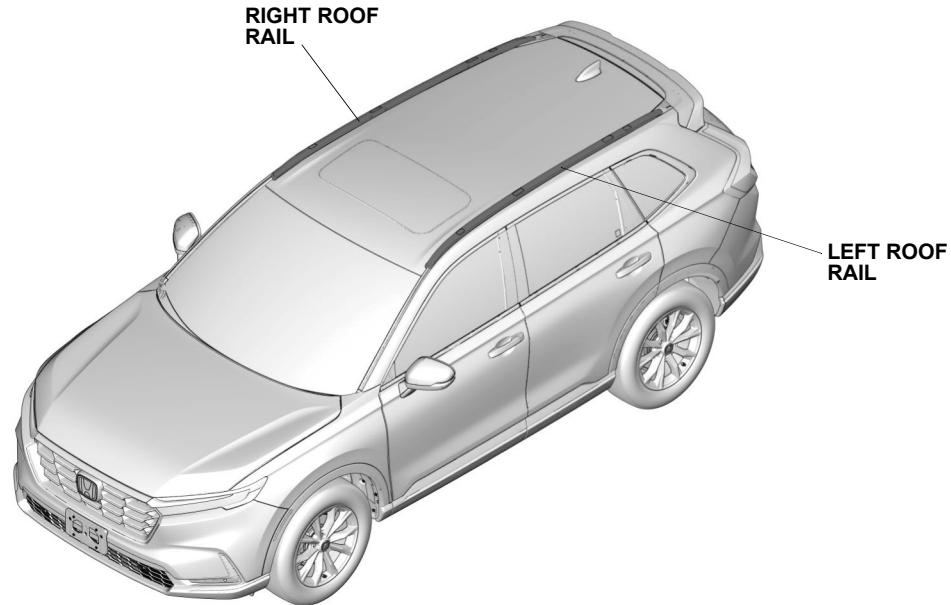
Accessory
ROOF RAILS

Application
**2023 CR-V
MODEL SERIES**

Publications No.
VERSION 1

Issue Date
AUG 2022

GENERAL VIEW



QL01801AN

FOR YOUR SAFETY (Read carefully.)

Warning Symbols

Safety: Your safety, and the safety of others, is important. To help you make informed decisions about service procedures, we have provided safety messages where appropriate. Of course, it is not practical or possible to warn you about all the hazards associated with servicing a vehicle - you must use your own good judgment.

You will find important safety messages preceded by one of the following symbols:

*All symbols are not used in all installation instructions.

 **DANGER**

You will be killed or seriously hurt if you do not follow the instructions.

 **WARNING**

You can be killed or seriously hurt if you do not follow the instructions.

 **CAUTION**

You can be hurt if you do not follow the instructions.

NOTICE

Gives advice to prevent damage to the product, vehicle, the environment or other property.

NOTE

Gives helpful information or instructions to be followed when installing this product.



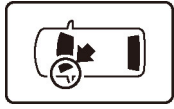
Indicates a prohibited action.

Germain Honda of College Hills

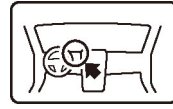
Procedure and Location Icons

These icons indicate the work location and the worker's point of view.

*All icons are not used in all installation instructions.



The location on the vehicle.



The location in the vehicle.
(Instrument panel.)



Wear eye protection.



Wear heavy gloves.



Use an assistant.



Place the part on a blanket.



Work perpendicular.



Remove any burrs.



Use touch-up paint and allow to dry.



Tighten to the specified torque.



Apply firm pressure while rolling, especially at the ends, to set the adhesive.



Press firmly.



Clean with isopropyl alcohol.



Return the original part to the customer.
(Do not reuse.)

Safety: General

- Observe all safety notes and precautions described in the service information, in addition to those described in this Installation Instruction. Be extremely careful for your safety and safety of others.
- Be careful not to damage the vehicle or the parts.
- Be extremely careful when handling retaining tabs and clips.
- Note the locations of the parts before removing them so they can be properly installed in their original positions.
- The illustrations may differ slightly from the actual accessory.

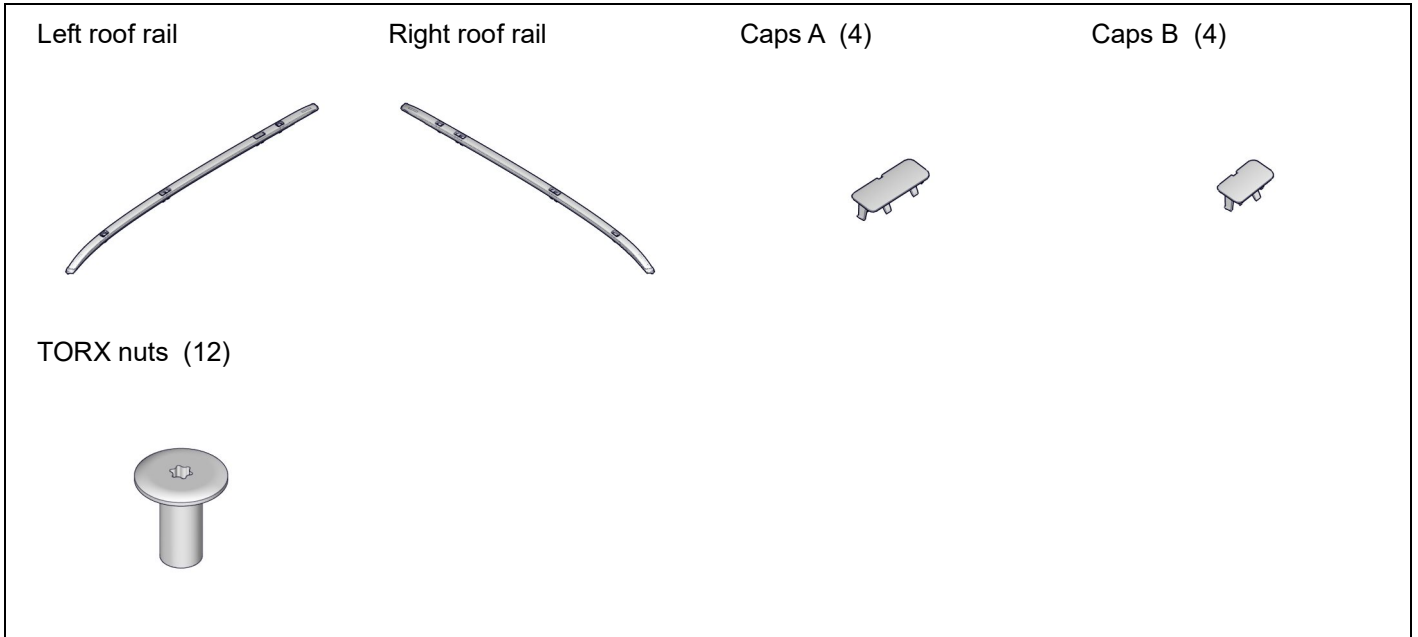
Safety: Accessory

Always use the parts and tools specified in the installation instructions.

Germain Honda of College Hills

PARTS LIST

Roof Rails Kit (P/N 08L02-3A0-100)



REQUIRED TOOLS AND SUPPLIES

- Flat-tip screwdriver
- Felt-tip pen
- Ruler
- T-30 TORX bit
- Blanket
- Eye protection (face shield, safety goggles, etc.)
- File
- Torque wrench
- Approx. 120 mm height empty cardboard box

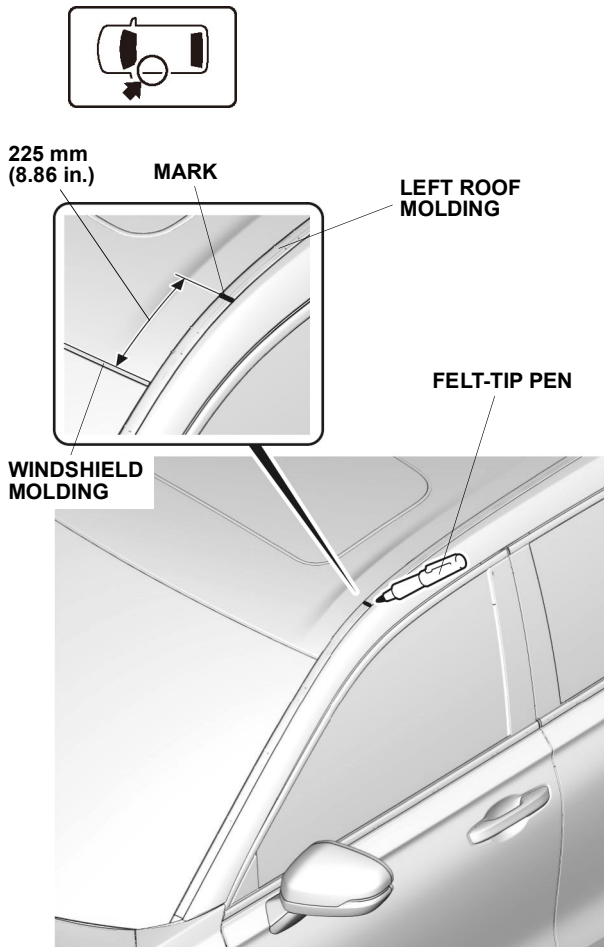
The following tools are available through the Honda Tool and Equipment Program:

- Trim Tool Set (T/N SOJATP2014)
- Plastic Trim Tool (T/N SILTRIMTL10)
- Air Saw (T/N AT192A)

Germain Honda of College Hills

INSTALLATION

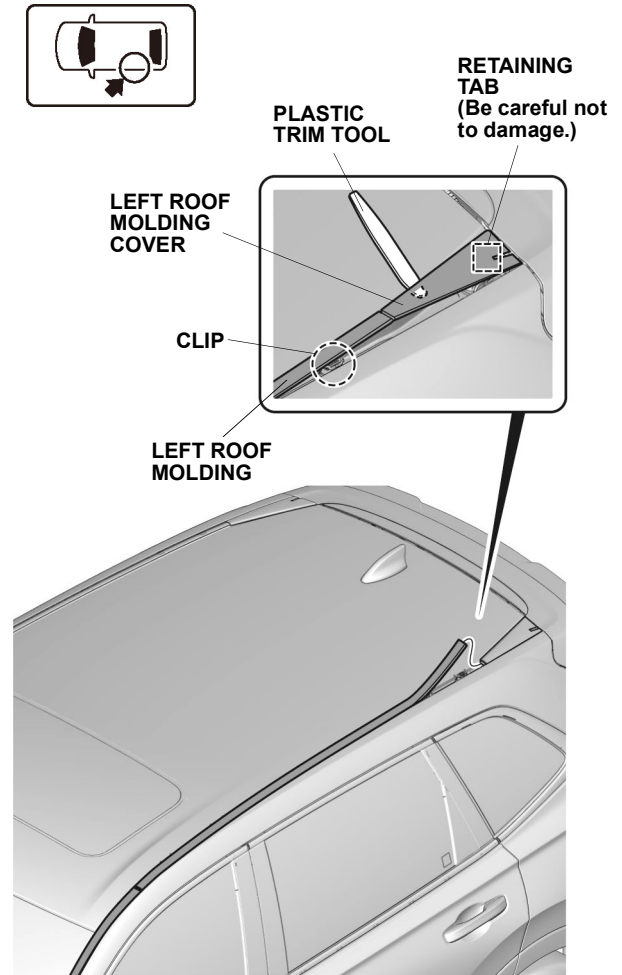
1. Mark the left roof molding.



QL01802BN

2. Pry up the left roof molding cover.

| NOTE |
|---|
| Be careful not to damage the retaining tab. |



QL01803BN

3. Release the left roof molding.
4. Install the left roof molding cover.

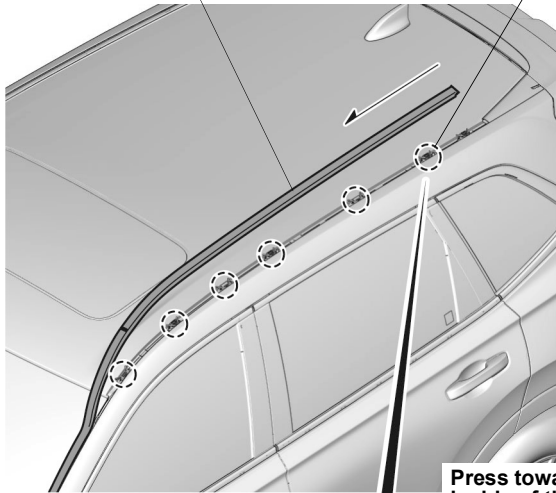
Germain Honda of College Hills

5. Release the left roof molding.



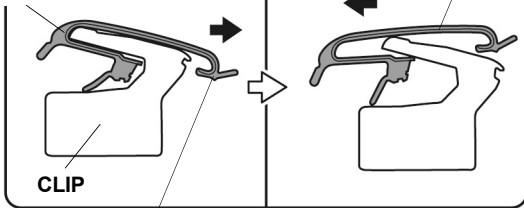
LEFT ROOF MOLDING
(Remove the clips from rear of the vehicle one by one.)

6 CLIPS



Press toward inside of the vehicle.

LEFT ROOF MOLDING



CLIP

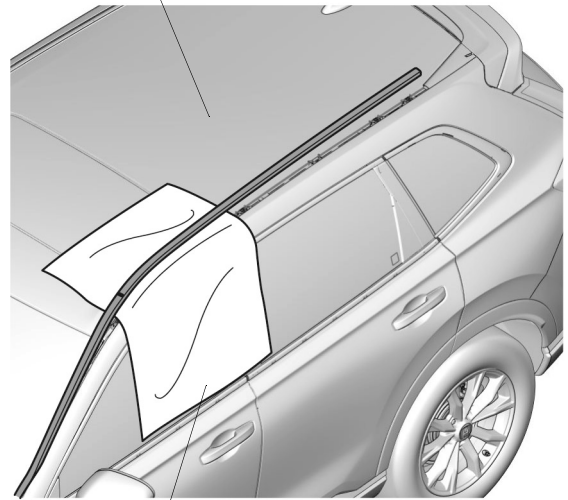
SECTION VIEW

LEFT ROOF MOLDING
(Pull toward outside of the vehicle.)

QL01804BN

6. Place a blanket.

ROOF

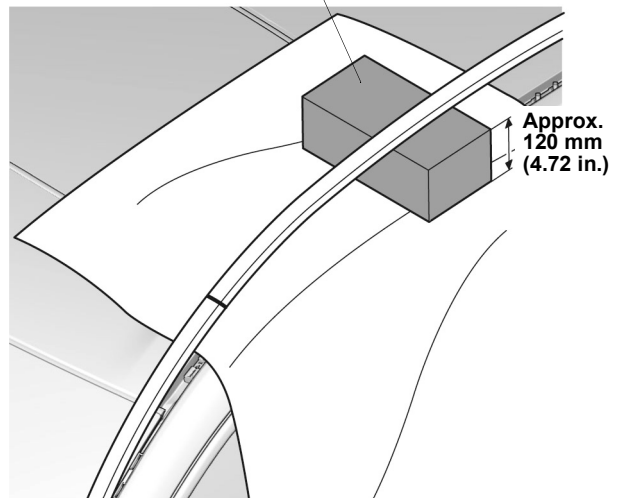


BLANKET

QL01806BN

7. Place an empty cardboard box.

EMPTY CARDBOARD BOX



Approx.
120 mm
(4.72 in.)

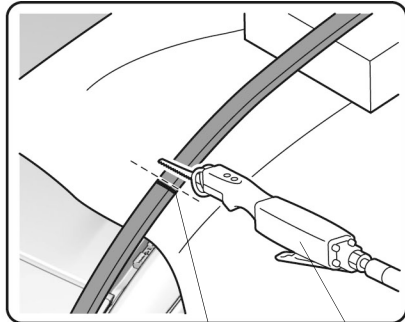
QL01807BN

Germain Honda of College Hills

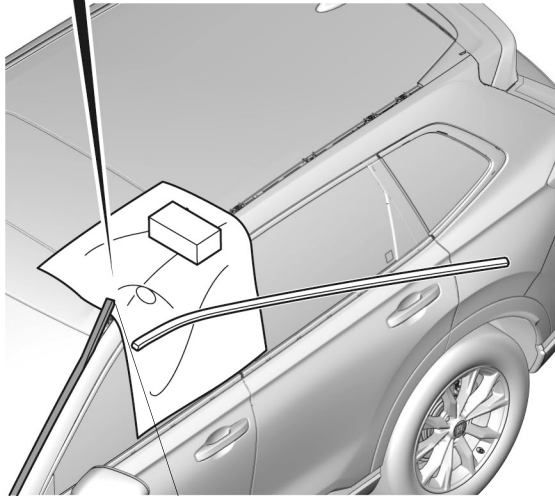
8. Cut the left roof molding.

NOTE

- Do not use a cutting wheel or shears to cut the roof molding; that can damage the roof molding.
- With the help of an assistant, hold the rear edge while cutting.



MARK AIR SAW



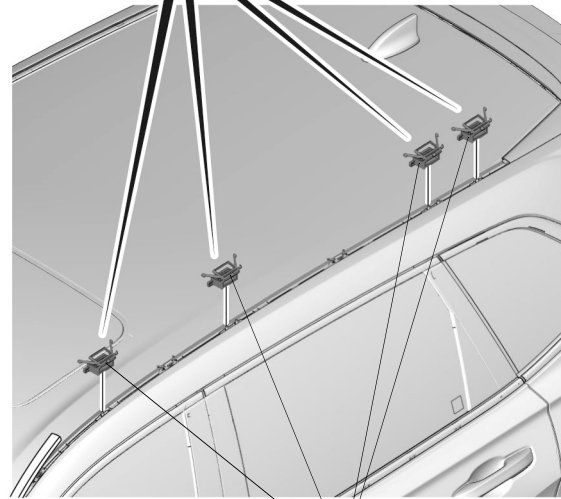
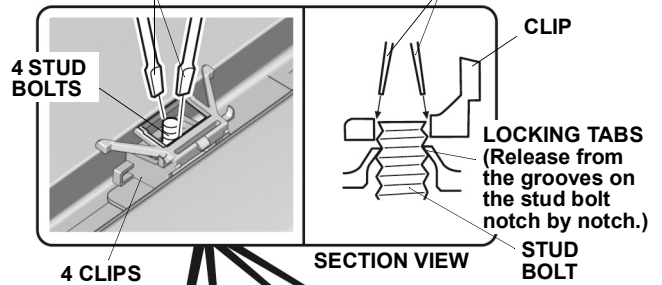
QL01808CN



10. Remove the clips.

FLAT-TIP SCREWDRIVERS
(Alternately insert to release the locking tabs.)

FLAT-TIP SCREWDRIVERS



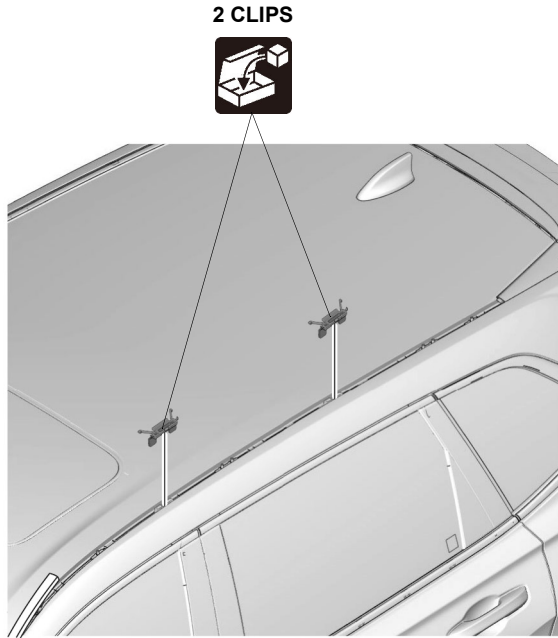
QL01810BN



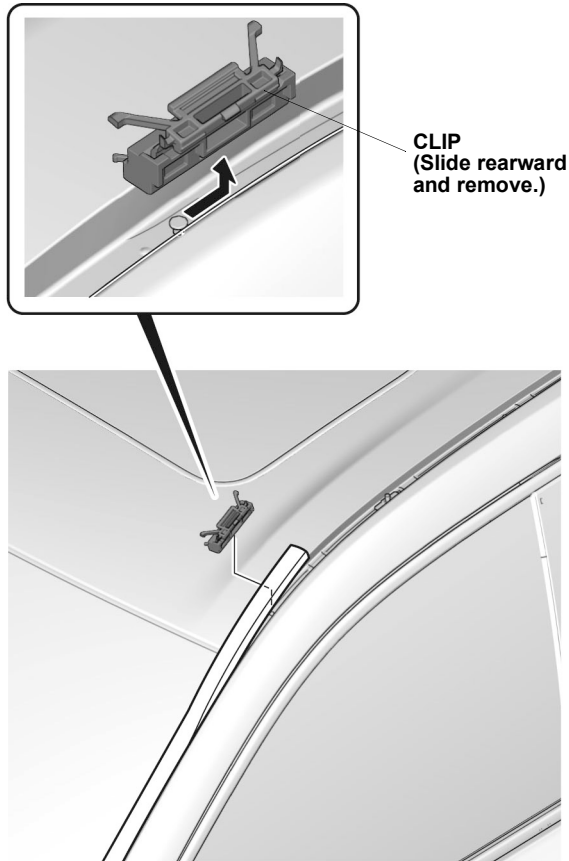
9. Remove the empty cardboard box and blanket.

Germain Honda of College Hills

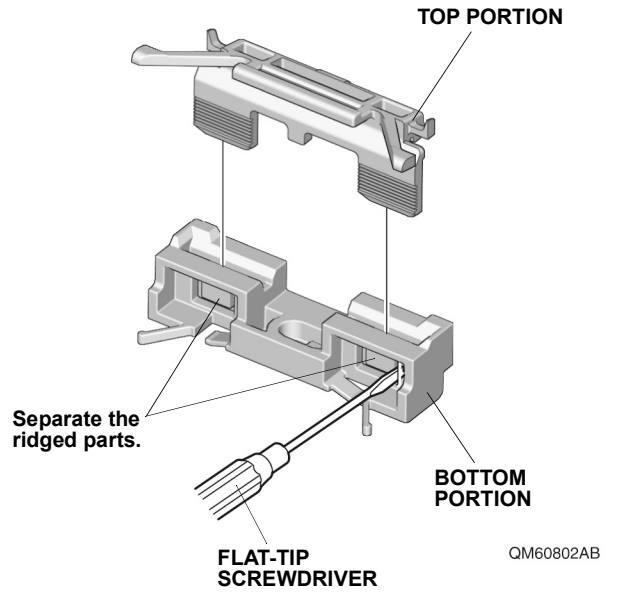
11. Remove the clips.



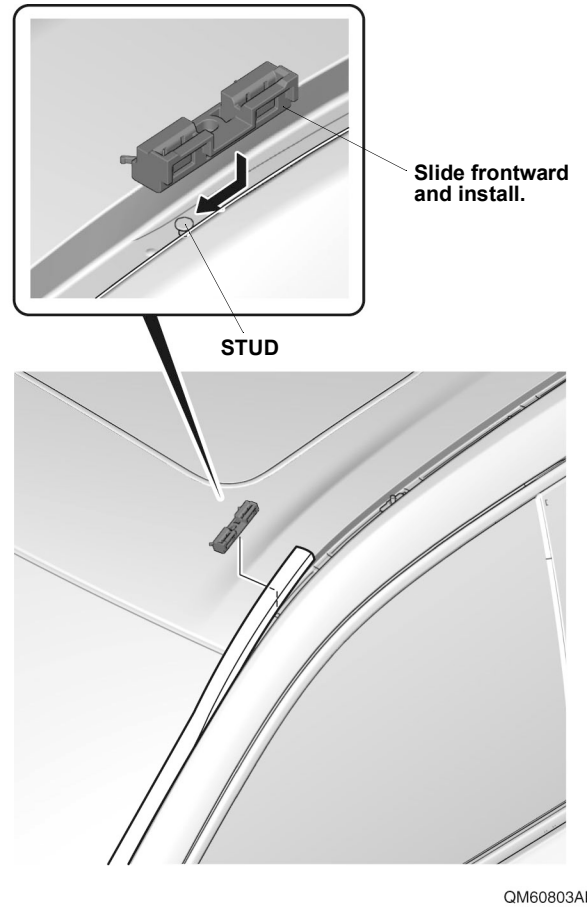
12. Remove the clip.



13. Separate the clip.

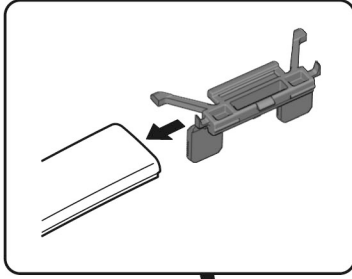


14. Install the bottom portion of the clip.



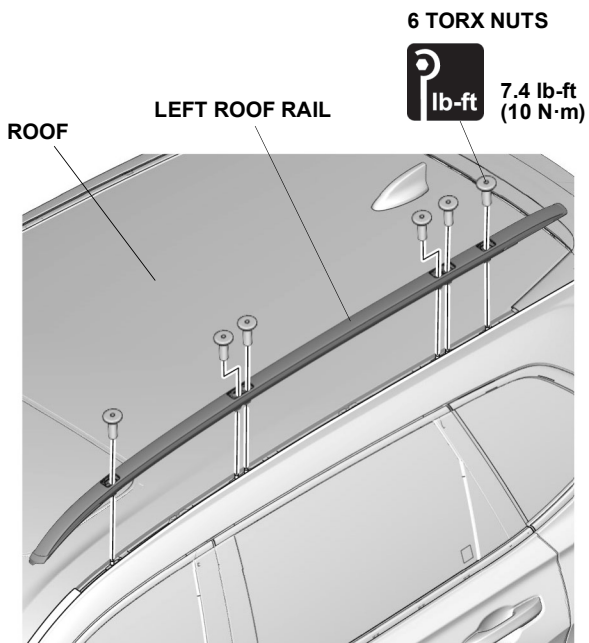
Germain Honda of College Hills

15. Install the top portion of the clip.



QM60804AB

16. Secure the left roof molding.
17. Install the left roof rail.



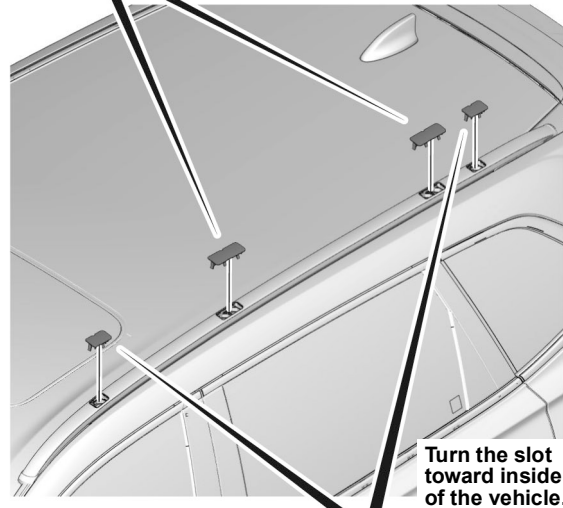
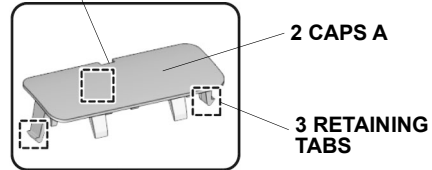
QL01812BN

18. Install the caps A and caps B.

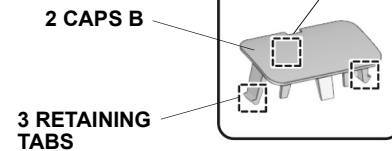
NOTE

Make sure to install the caps in the correct orientation.

Turn the slot toward inside of the vehicle.

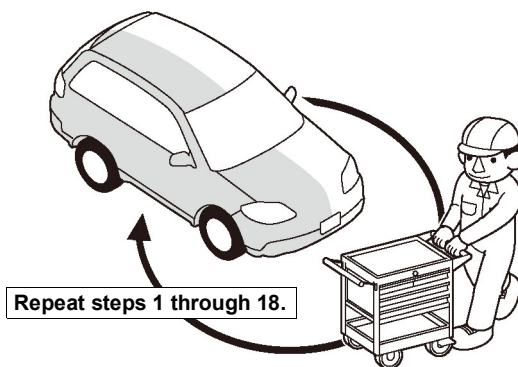


Turn the slot toward inside of the vehicle.



QL01813AN

19. Repeat the same procedures on the other side.



Q9D1014AM

20. Check that all parts are installed properly.

Germain Honda of College Hills

Please give your customer a copy of this page.

ROOF RAILS

USE AND CARE

- The crossbar (sold separately) is required for loading cargo.
- Distribute the weight of the cargo evenly, and do not exceed the maximum weight capacity of 165 lbs (75 kg) on the crossbar.