



INSTALLATION INSTRUCTIONS

Accessory

TIE-DOWNS
P/N 08L96-T5A-100A

Application

2020 FIT

Publications No.

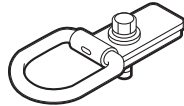
VERSION 1

Issue Date

NOV 2019

PARTS LIST

2 Tie-downs



TOOLS AND SUPPLIES REQUIRED

Utility knife

Ratchet

10 mm Socket

Ruler

Felt-tip pen

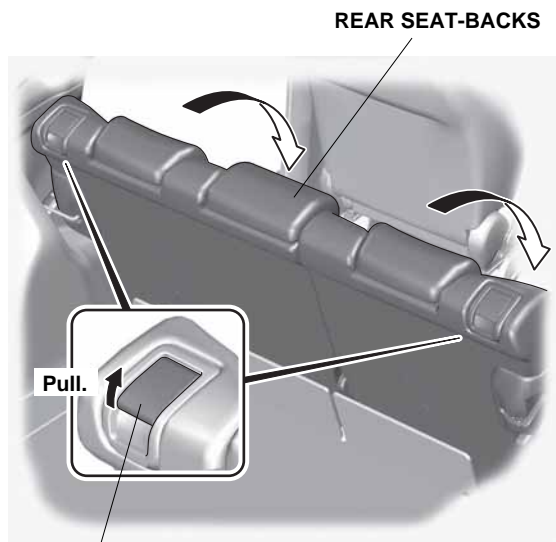
Torque wrench

INSTALLATION

Customer Information: The information in this installation instruction is intended for use only by skilled technicians who have the proper tools, equipment, and training to correctly and safely add equipment to your vehicle. These procedures should not be attempted by “do-it-yourselfers.”

NOTE: Be careful not to damage the body.

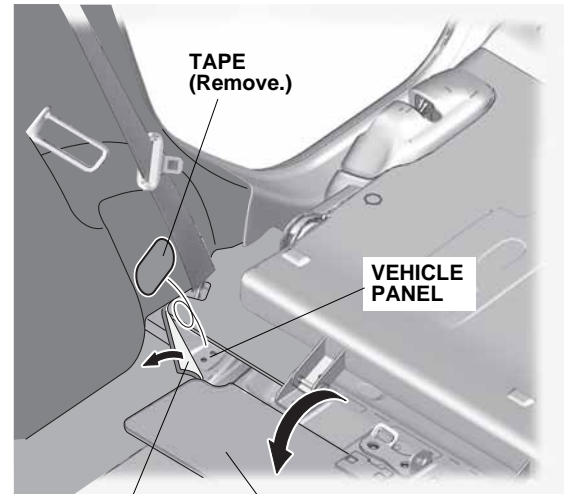
1. Pull both levers and fold each rear seat-back forward.



2 LEVERS

QC82710AK

2. Lift the cargo board and remove the tape attached to the vehicle panel.

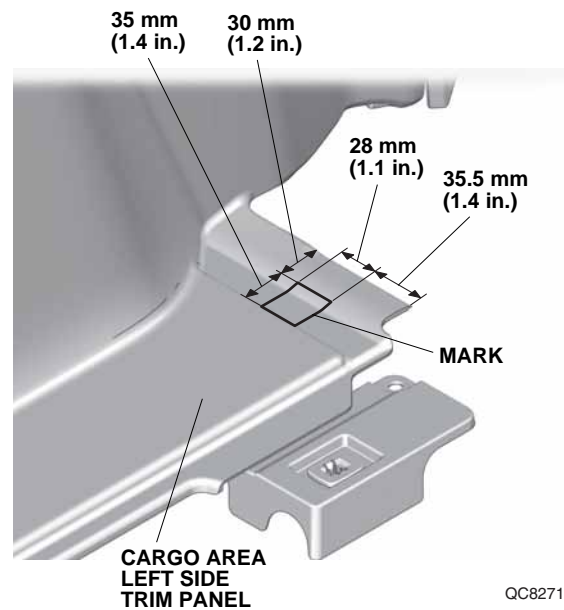


CARGO AREA LEFT SIDE TRIM PANEL (Lift.)

CARGO BOARD (Lift.)

QC82711AK

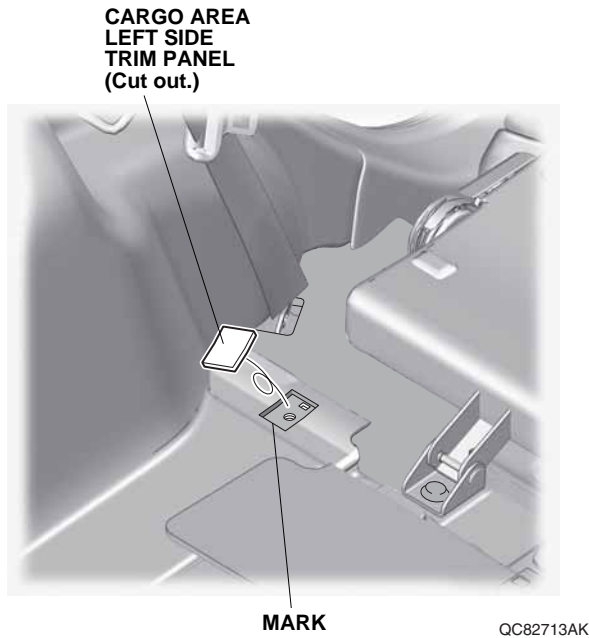
3. Put the cargo area left side trim panel down. Mark the cargo area left side trim panel at the measurements shown.



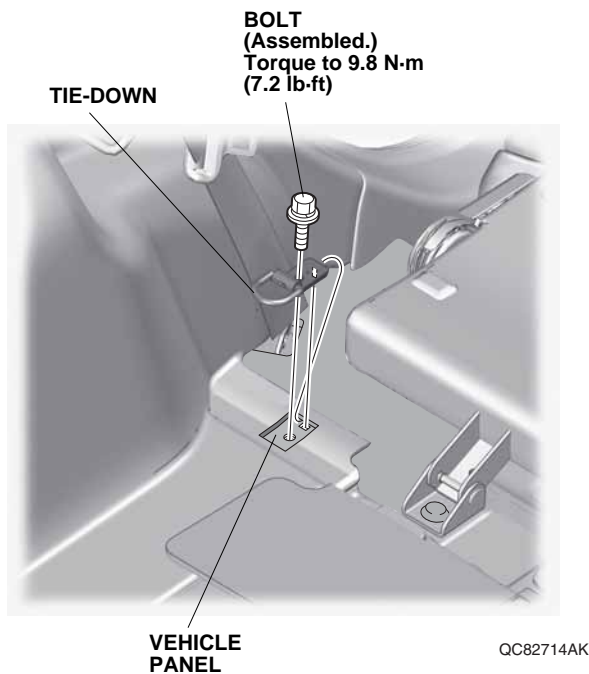
CARGO AREA LEFT SIDE TRIM PANEL

QC82712AK

4. Use a utility knife to cut out the cargo area left side trim panel as shown.



5. Install one tie-down using the bolt supplied. Torque the bolt to 9.8 N·m (7.2 lb·ft).



6. Repeat steps 2 through 5 to install a tie-down on the right side of the vehicle. Return the cargo board to the original position.