



INSTALLATION INSTRUCTIONS

Accessory
BODY SIDE MOLDINGS
 P/N 08P05-T7S-100

Application
2016 HR-V

Publications No.
VERSION 1
 Issue Date
APR 2015

PARTS LIST

Left front body side molding
 (Identification mark: FR-L)



Right front body side molding
 (Identification mark: FR-R)



Left rear body side molding
 (Identification mark: RR-L)



Right rear body side molding
 (Identification mark: RR-R)



Front template



Rear template



4 Alcohol swabs



TOOLS AND SUPPLIES REQUIRED

Masking tape

Ruler

The following tool is available through the Honda Tool and Equipment Program. On the iN, click on: Service > Service Bay > Tool and Equipment Program, then enter the number under "Search". Or, call 888-424-6857.

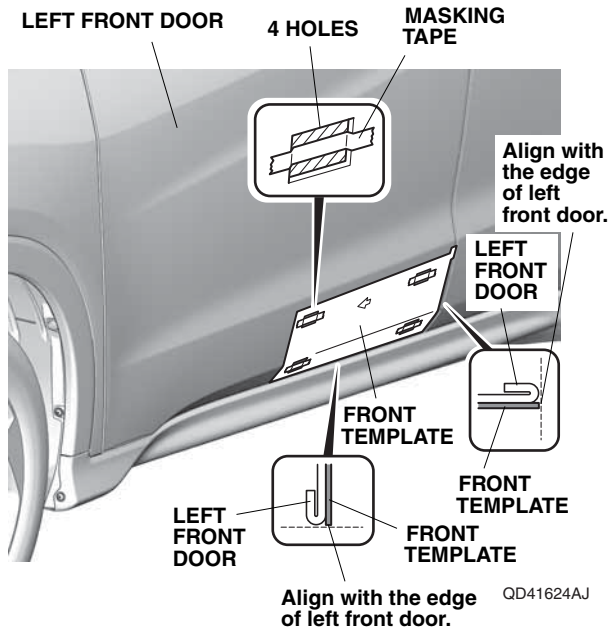
- Rubber Roller (T/N MHLE54D)

INSTALLATION

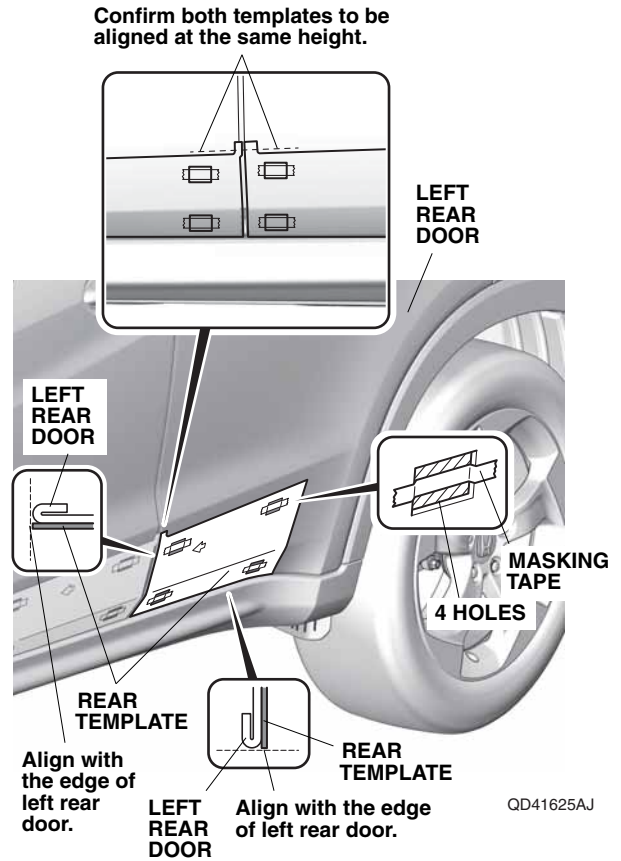
NOTE:

- If you are also installing door edge guards (sold separately), install them after you install the body side moldings.
- If you are also installing door edge films (sold separately), install them before you install the body side moldings.
- These installation instructions show the left body side moldings being installed. The same procedure applies to installing the right body side moldings.
- Be careful not to damage the paint finish.
- This body side moldings kit should be installed only if the ambient air temperature is 15°C (60°F) or above.
- To allow the adhesive to cure, do not wash the vehicle for 24 hours. Please advise the customer.

1. Align the front template with the edges of the left front door, and attach it to the left front door with masking tape.

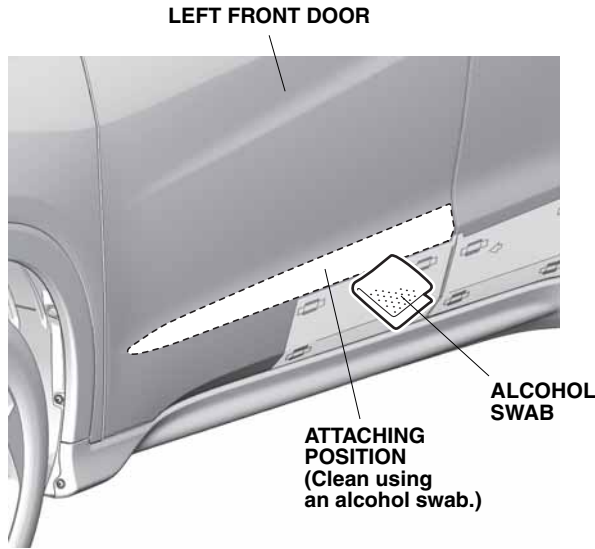


2. Align the rear template with the edges of the left rear door, and attach it to the left rear door with masking tape.



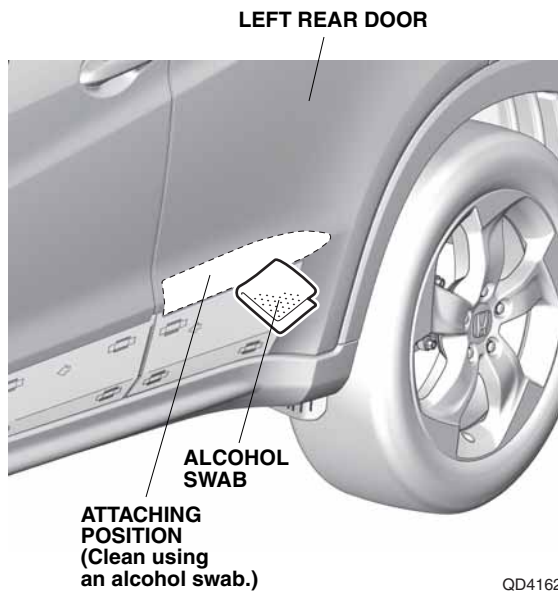
- Using two alcohol swabs, clean the door surfaces above the templates where the body side moldings will attach. Allow the alcohol to dry before installing the body side moldings.

Left Front Body Side Molding:



QD41626AJ

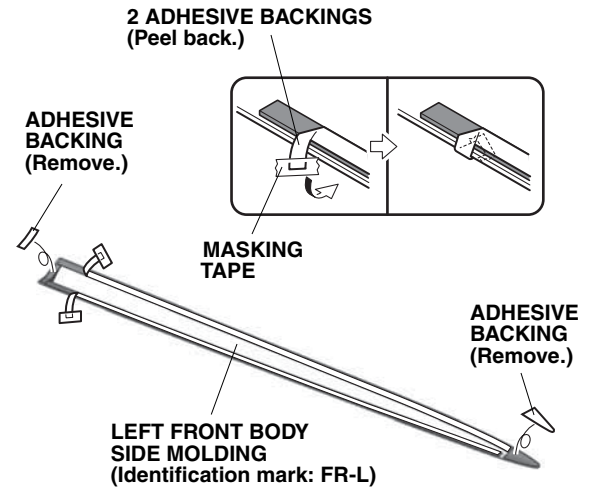
Left Rear Body Side Molding:



QD41627AJ

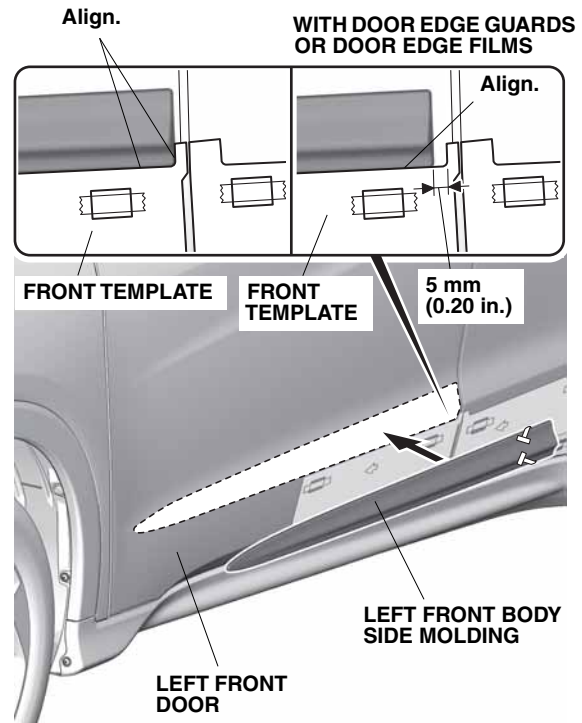
Installing the Front Body Side Moldings

- Peel back the end of adhesive backings on the left front body side molding, and tape the ends to the front surface of the left front body side molding. Remove the other adhesive backings.



QD41628AJ

- Align the left front body side molding with the front template, and install the left front body side molding on the left front door.



QD41629BJ

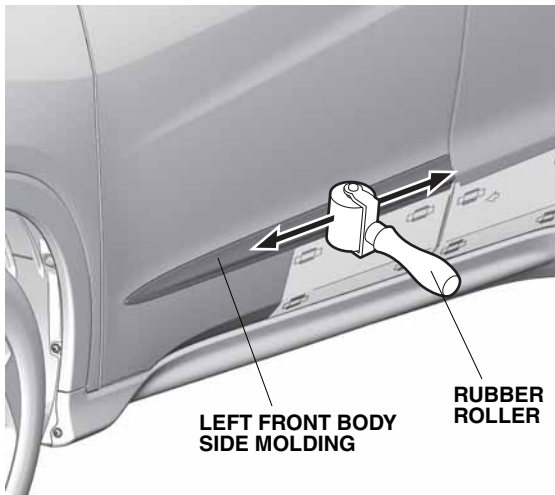
6. Hold the left front body side molding on place while removing about 50 to 100 mm (1.97 to 3.94 in.) of the adhesive backings at a time.

2 ADHESIVE BACKINGS
(Press on the left front body side molding firmly with the palm of your hand while removing the adhesive backings.)



QD41631AJ

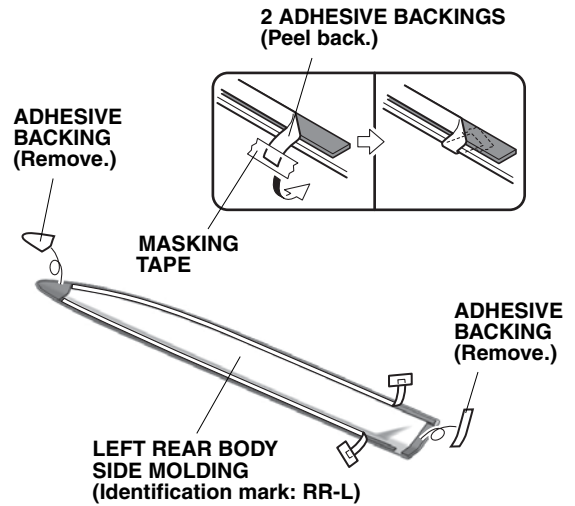
7. Using the rubber roller, apply firm pressure while rolling to set the adhesive. Apply firm pressure especially at the ends.



QD41632AJ

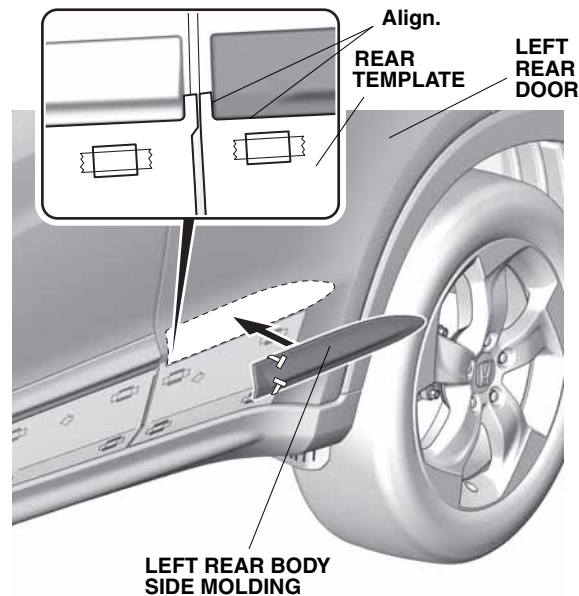
Installing the Rear Body Side Moldings

8. Peel back the end of adhesive backings on the left rear body side molding, and tape the ends to the front surface of the left rear body side molding. Remove the other adhesive backings.



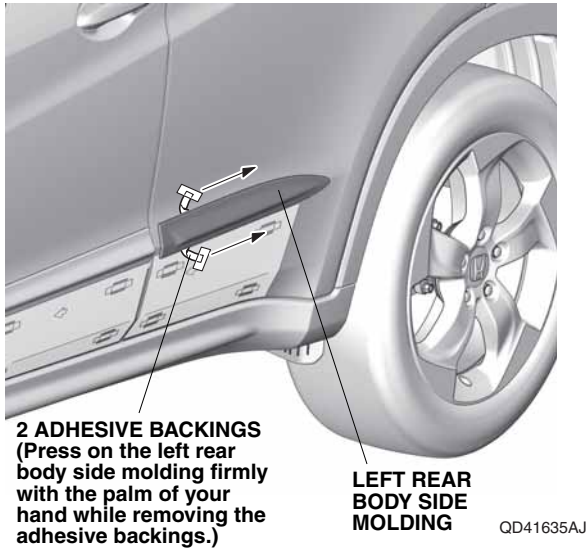
QD41633AJ

9. Align the left rear body side molding with the rear template, and install the left rear body side molding on the left rear door.

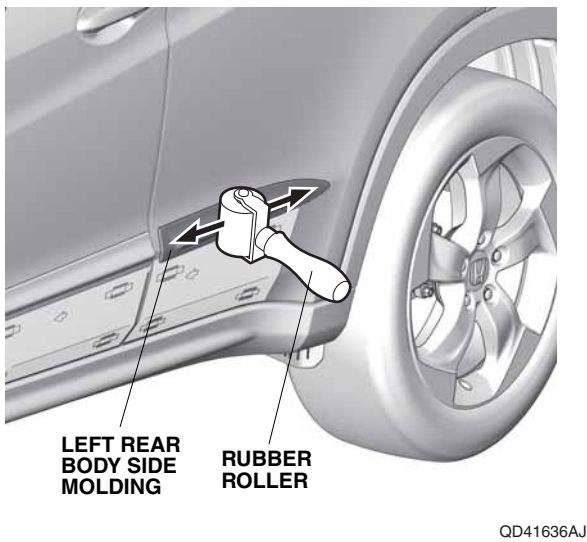


QD41634AJ

10. Hold the left front body side molding on place while removing about 50 to 100 mm (1.97 to 3.94 in.) of the adhesive backings at a time.



11. Using the rubber roller, apply firm pressure while rolling to set the adhesive. Apply firm pressure especially at the ends.



12. Remove the front and rear templates.
13. Turn the front and rear templates over, and repeat steps 1 through 12 to install the right side moldings.