

Germain Honda of College Hills



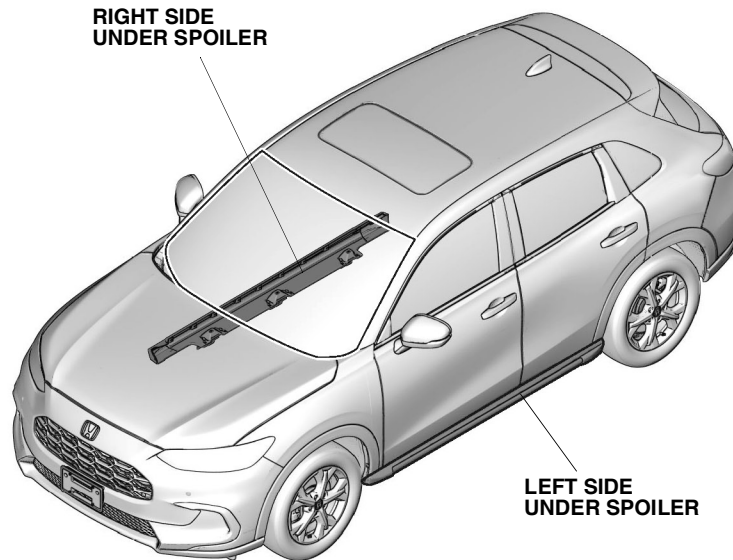
INSTALLATION INSTRUCTIONS

Accessory
SIDE UNDER SPOILERS

Application
2023 HR-V
MODEL SERIES

Publications No.
VERSION 1
Issue Date
MAY 2022

GENERAL VIEW



QL51801AG

FOR YOUR SAFETY (Read carefully.)

Warning Symbols

Safety: Your safety, and the safety of others, is important. To help you make informed decisions about service procedures, we have provided safety messages where appropriate. Of course, it is not practical or possible to warn you about all the hazards associated with servicing a vehicle - you must use your own good judgment.

You will find important safety messages preceded by one of following symbols:

*All symbols are not used in all installation instructions.

⚠ DANGER

You will be killed or seriously hurt if you do not follow the instructions.

⚠ WARNING

You can be killed or seriously hurt if you do not follow the instructions.

⚠ CAUTION

You can be hurt if you do not follow the instructions.

NOTICE

Gives advice to prevent damage to the product, vehicle, the environment or other property.

NOTE

Gives helpful information or instructions to be followed when installing this product.

Germain Honda of College Hills

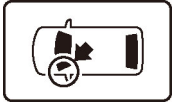


Indicates a prohibited action.

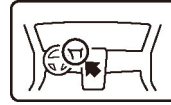
Procedure and Location Icons

These icons indicate the work location and the worker's point of view.

*All icons are not used in all installation instructions.



The location on the vehicle.



The location in the vehicle.
(instrument panel.)



Wear eye protection.



Wear heavy gloves.



Use an assistant.



Place the part on a blanket.



Work perpendicular.



Remove any burrs.



Use touch-up paint and allow to dry.



Tighten to the specified torque.



Apply firm pressure while rolling, especially at the ends, to set the adhesive.



Press firmly.



Clean with isopropyl alcohol.



Return the original part to the customer.
(Do not reuse.)

Safety: General

- Observe all safety notes and precautions described in the service information, in addition to those described in this Installation Instruction. Be extremely careful for your safety and safety of others.
- Be careful not to damage the vehicle or the parts.
- Be extremely careful when handling retaining tabs and clips.
- Note the locations of the parts before removing them so they can be properly installed in their original positions.
- The illustrations may differ slightly from the actual accessory.

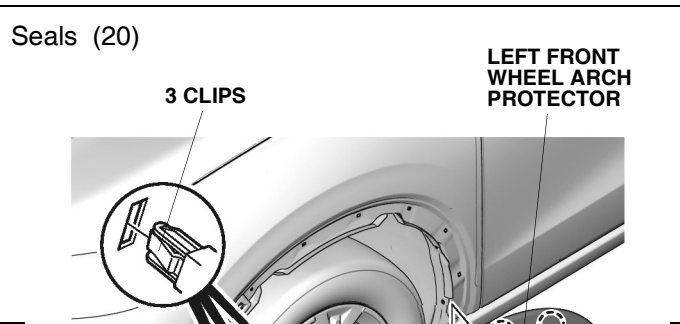
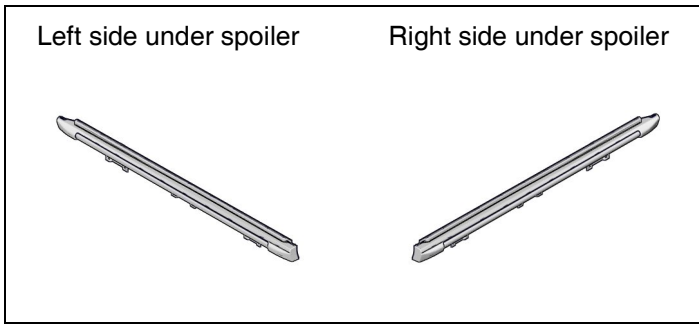
Safety: Accessory

Always use the parts and tools specified in the installation instructions.

PARTS LIST

Side Under Spoilers Kit (P/N 08F04-3V0-100)

Germain Honda of College Hills



REQUIRED TOOLS AND SUPPLIES

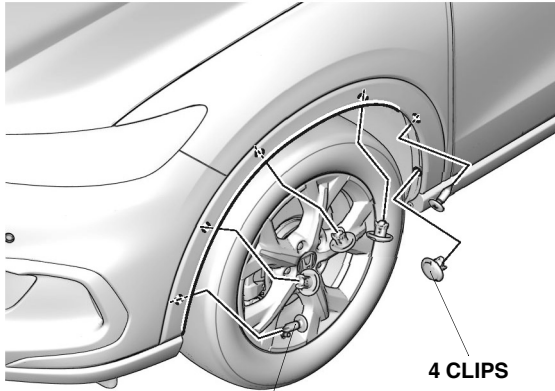
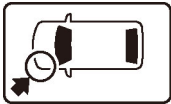
- Stubby Phillips screwdriver
- Blanket

The following tools are available through the Honda Tool and Equipment Program:

- Trim Tool Set (T/N SOJATP2014)
- Plastic Trim Tool (T/N

INSTALLATION

1. Remove the self-tapping screws and clips.



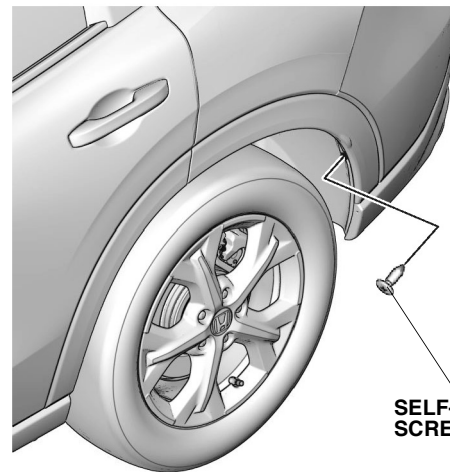
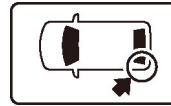
2 SELF-TAPPING SCREWS

4 CLIPS

QL51802AG

2. Remove the left front wheel arch protector.

3. Remove the self-tapping screw.

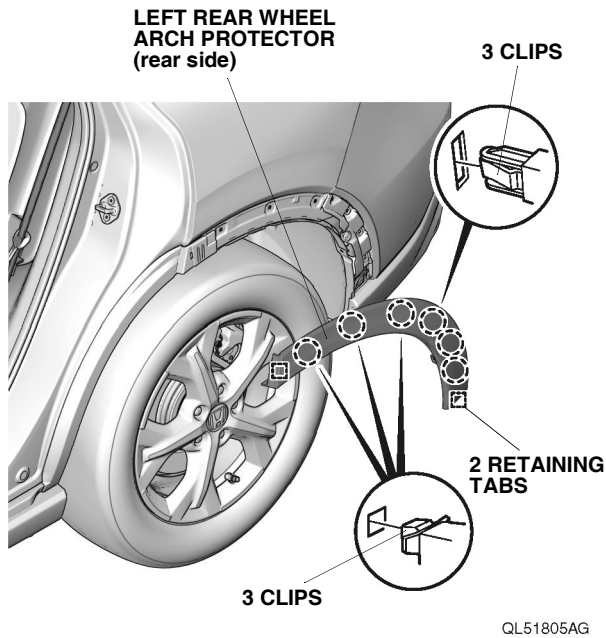


SELF-TAPPING SCREW

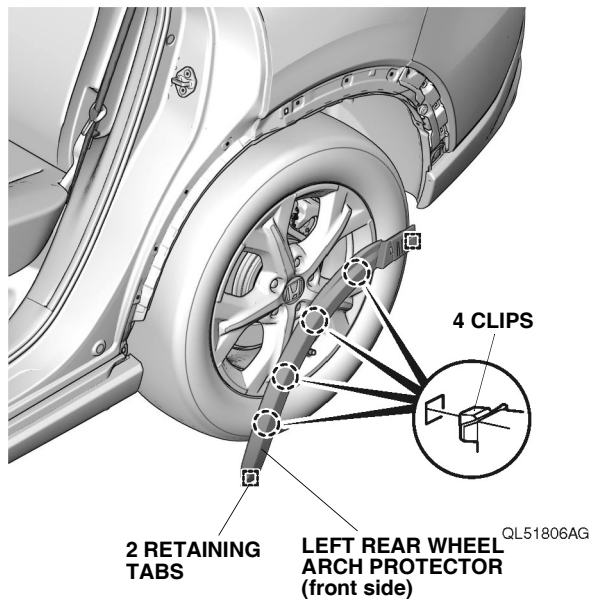
QL51804AG

4. Open the left rear door.

Germain Honda of College Hills

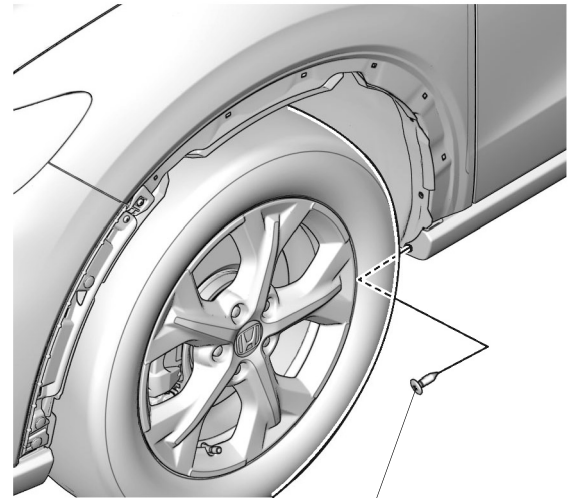
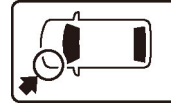


5. Remove the left rear wheel arch protector (rear side).
6. Remove the left rear wheel arch protector (front side).

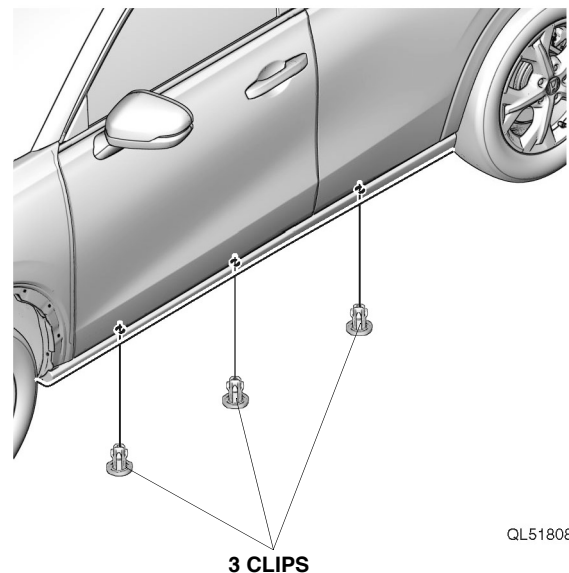
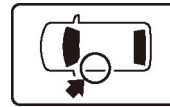


7. Close the left rear door.

8. Remove the self-tapping screw.

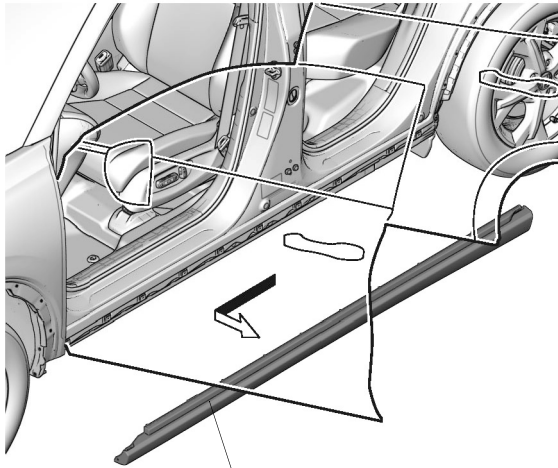


9. Remove the clips.



10. Open the left front and left rear doors.

Germain Honda of College Hills

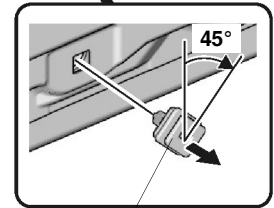
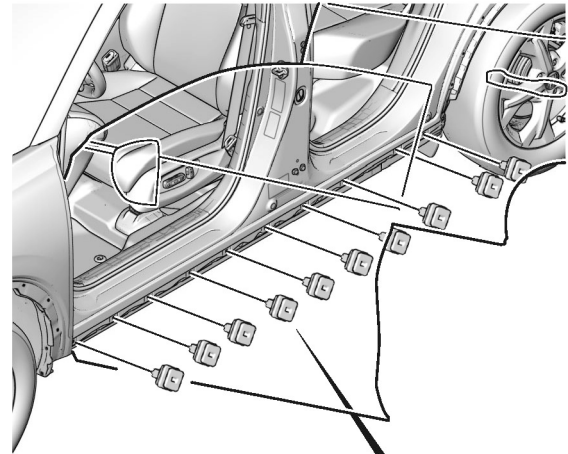


LEFT SIDE SILL TRIM
(Slide forward and remove.)

QL51809AG



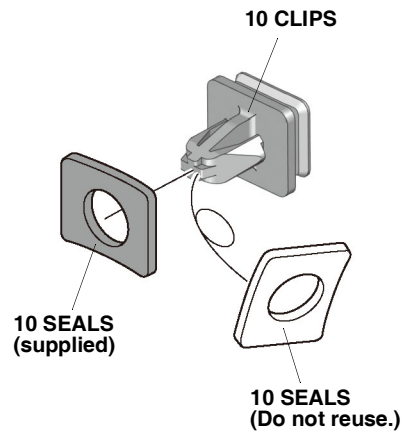
11. Remove the left side sill trim.
12. Remove the clips.



10 CLIPS

QL51810AG

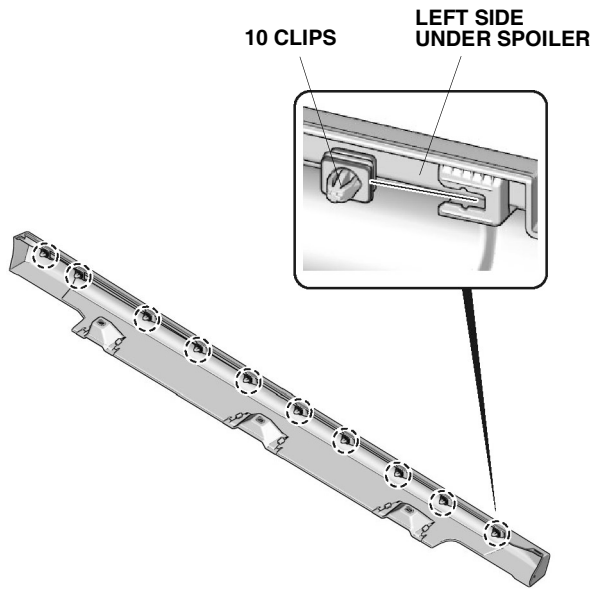
13. Replace the seals.



QG20306AN

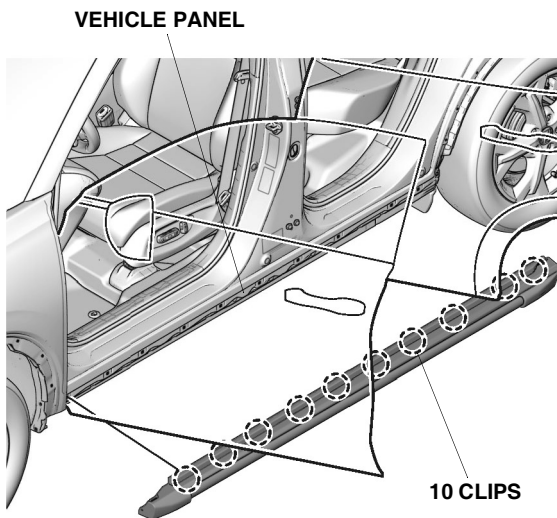
14. Install the clips.

Germain Honda of College Hills



QL51811AG

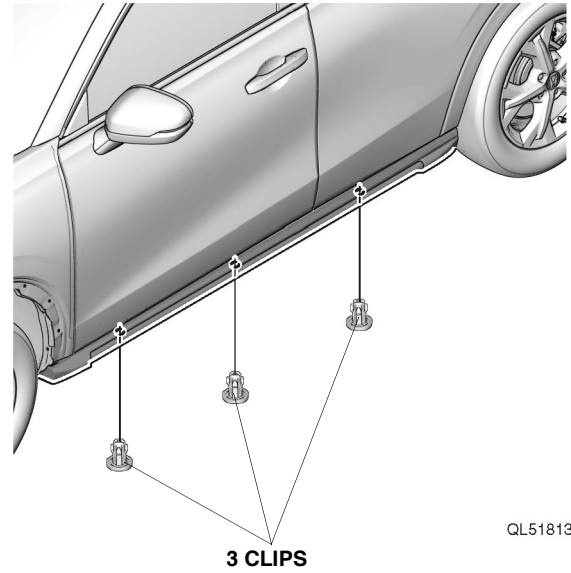
15. Install the left side under spoiler.



QL51812AG

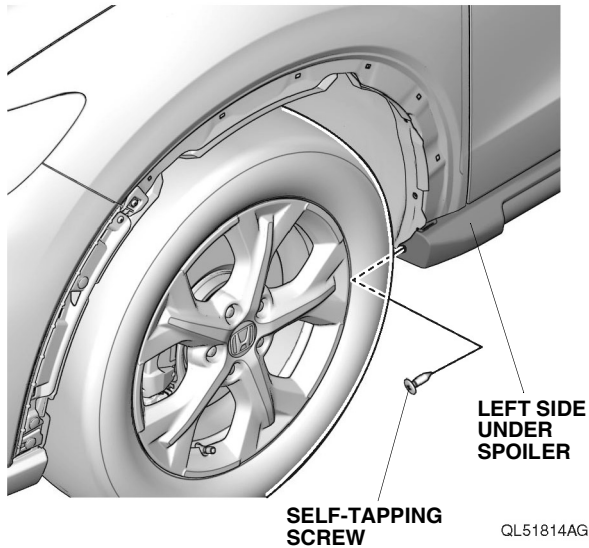
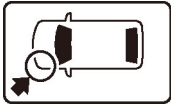
16. Close the left front and left rear doors.

17. Secure the left side under spoiler.

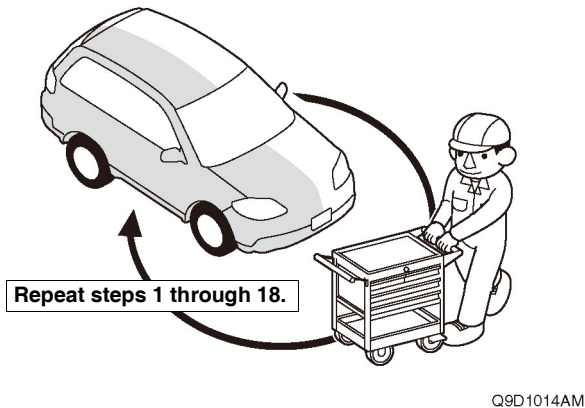


18. Secure the left side under spoiler.

Germain Honda of College Hills



19. Repeat the same procedures on the other side.



20. Check that all parts are installed properly.

21. Install all removed parts.

NOTE

Make sure to secure the clips and the retaining tabs properly to avoid separation.