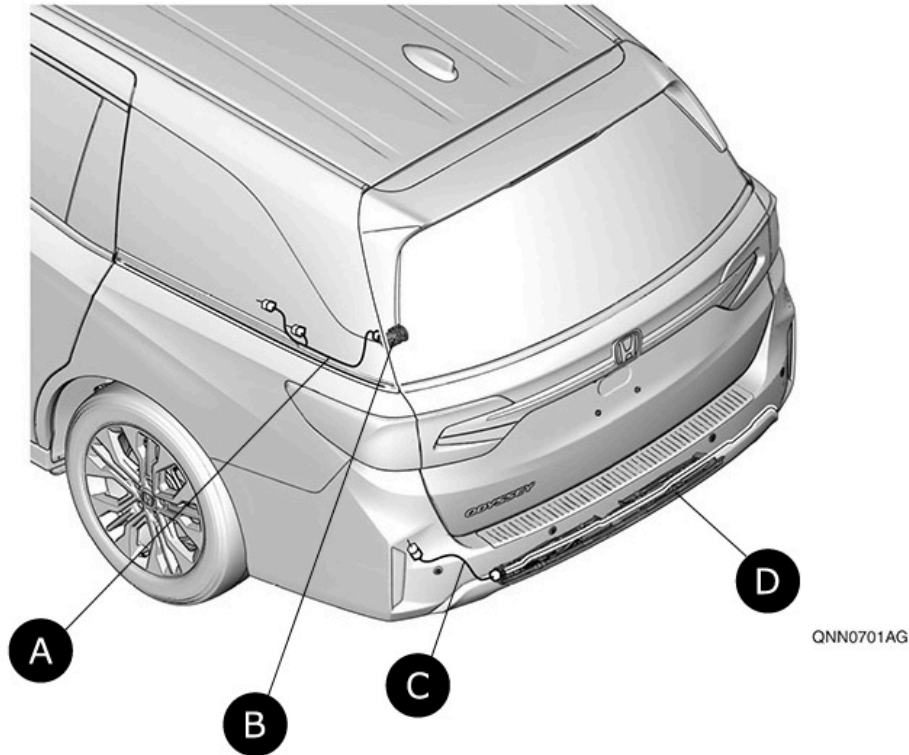


HANDS-FREE ACCESS POWER TAILGATE	2025 ODYSSEY MODEL SERIES	Publications No. Version 1
----------------------------------	------------------------------	-------------------------------

GENERAL VIEW



A	HARNESS A
B	SWITCH
C	HARNESS B
D	HANDS-FREE ACCESS UNIT

FOR YOUR SAFETY (Read carefully.)

Warning Symbols

Safety: Your safety, and the safety of others, is important. To help you make informed decisions about service procedures, we have provided safety messages where appropriate. Of course, it is not practical or possible to warn you about all the hazards associated with servicing a vehicle - you must use your own good judgment.

You will find important safety messages preceded by one of the following symbols:

*All symbols are not used in all installation instructions.

DANGER

You will be killed or seriously hurt if you do not follow the instructions.

WARNING

You can be killed or seriously hurt if you do not follow the instructions.

CAUTION

You can be hurt if you do not follow the instructions.

NOTICE

Gives advice to prevent damage to the product, vehicle, the environment or other property.

NOTE

Gives helpful information or instructions to be followed when installing this product.

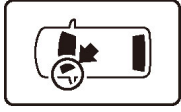
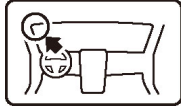














Indicates a prohibited action.

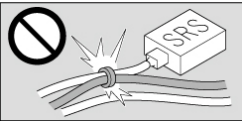

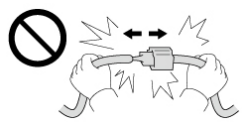
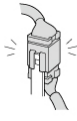
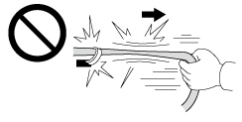


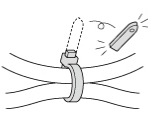
Procedure and Location Icons

These icons indicate the work location and the worker's point of view.

*All icons are not used in all installation instructions.

	The location on the vehicle.		The location in the vehicle. (Instrument panel.)
	Wear eye protection.		Wear heavy gloves.
	Use an assistant.		Place the part on a blanket.
	Work perpendicular.		Remove any burrs.
	Use touch-up paint and allow to dry.		Tighten to the specified torque.
	Apply firm pressure while rolling, especially at the ends, to set the adhesive.		Press firmly.
	Clean with isopropyl alcohol.		Return the original part to the client. (Do not reuse.)

Wire Harness Routing Precaution

	<p>Do not secure the accessory harness to the SRS harness. (except for instruction cases.)</p>		<p>Push the connectors and terminals together until they lock.</p>
	<p>Do not pull the harness to unplug the connectors.</p>		<p>Install removed connectors in their original location.</p>
	<p>Do not pull the harness.</p>		<p>Secure the accessory harness as shown.</p>
	<p>Do not pinch the harness.</p>		<p>Cut off the excess wire tie.</p>

Safety: General

- Observe all safety notes and precautions described in the service information, in addition to those described in this Installation Instruction. Be extremely careful for your safety and safety of others.
- Always use the parts and tools specified in the installation instructions.
- Be careful not to damage the vehicle or the parts.
- Be extremely careful when handling retaining tabs and clips.
- Note the locations of the parts before removing them so they can be properly installed in their original positions.
- The illustrations may differ slightly from the actual accessory.

Safety: Electric Parts

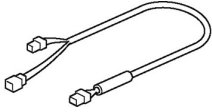
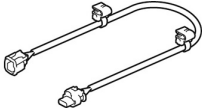







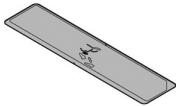
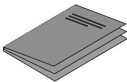
Always disconnect the negative cable from the battery before beginning work.

Safety: Accessory


- Do not install the accessory on a dirty surface or in direct sunlight.
- Make sure the ambient air temperature is 60°F (15°C) or above when installing accessories that use a bonding material.
- When pressing the accessory firmly with the palm of your hand, be careful not to damage it or the vehicle.
- When applying adhesive material, make sure it is lined up properly before attaching. Once the adhesive material touches the surface, do not try to remove it. If you do, you could damage the part before the adhesive releases.
- Do not wash the vehicle for 24 hours to allow the adhesive to cure.

PARTS LIST

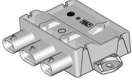


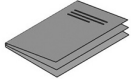
Hands-Free Access Power Tailgate Attachment Kit (P/N 08U59-THR-100B)

Parts	Parts name	QTY	Remarks
	Harness A	1	
	Harness B	1	
	Clip	4	
	Self-tapping screw	2	
	Wire tie A	8	
	Wire tie B (narrow)	1	
	Urethane tape	1	
	Switch	1	
	Bracket	1	
	Sticker	1	
	Accessory User's Information Manual	1	

Hands-Free Access Unit Kit (P/N 08U59-THR-101)

Parts	Parts name	QTY	Remarks
	Hands-Free Access Unit	1	

Lower Antenna Kit (With Accessory Trailer Hitch) (P/N 08L91-THR-100A)

Parts	Parts name	QTY	Remarks
	Hands-Free Access ECU	1	
	Lower antenna	1	
	Wire tie C (narrow) (short)	1	
	Accessory User's Information Manual	1	

REQUIRED TOOLS AND SUPPLIES

- Phillips screwdriver
- 10 mm Open end wrench
- Pushpin
- 3 mm, 6 mm, 9 mm, and 11 mm Drill bits
- Eye protection (face shield, safety goggles, etc.)
- File
- Masking tape
- 5 mm Hex wrench
- Blanket
- Shop towel
- 26 mm Hole saw
- Drill
- Stubby Phillips screwdriver
- Diagonal cutters
- Scissors
- T-10 TORX bit
- Isopropyl alcohol
- Ratchet
- 10 mm Socket
- Ruler

The following tools are available through the Honda Tool and Equipment Program:

- Trim Tool Set (T/N SOJATP2014)
- Plastic Trim Tool (T/N SILTRIMTL10)

INSTALLATION

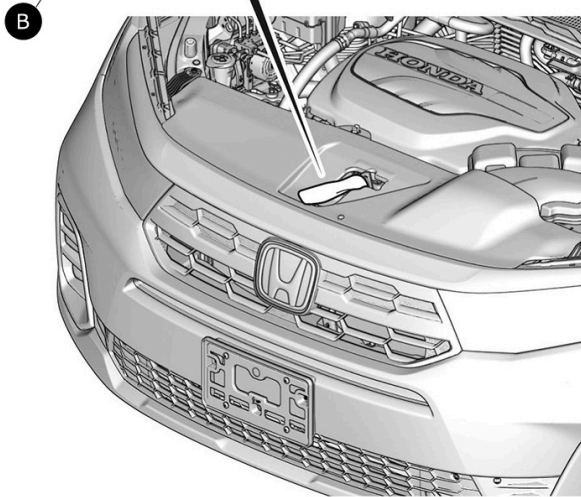
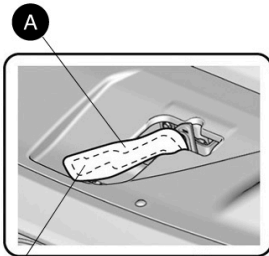
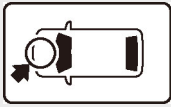
■ Disconnecting the Battery Cable

● Front Bulkhead Cover

- 1 Wrap a shop towel to protect the vehicle.

NOTE

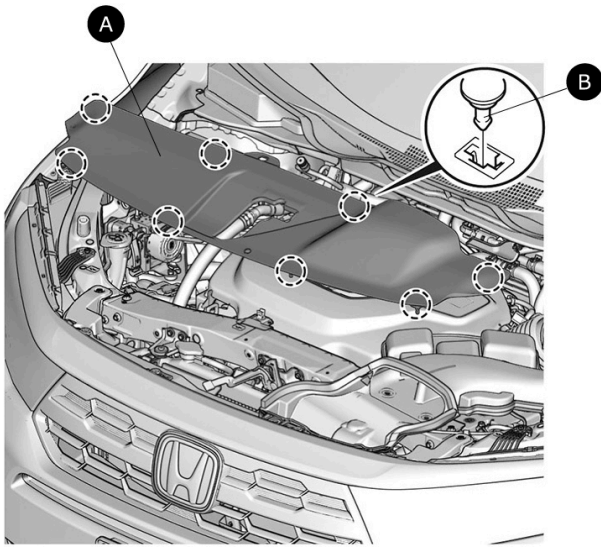
To prevent damage, do not remove the shop towel until after the parts are installed.



A	SHOP TOWEL
B	HOOD LATCH LEVER

QN02702AB

2 Remove the front bulkhead cover.

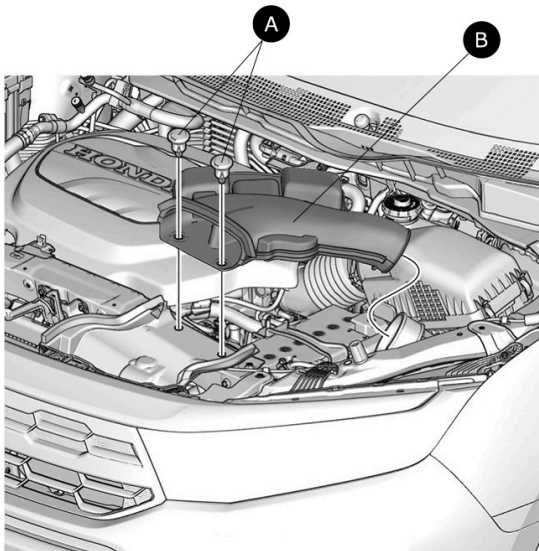
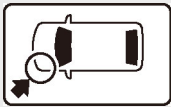


QN02703AB

A	FRONT BULKHEAD COVER
B	CLIP(8)

● Intake Air Tube

3 Remove the intake air tube.



QN02704AB

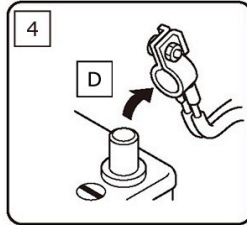
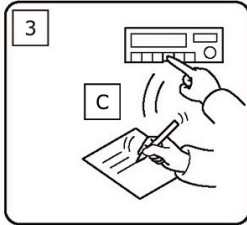
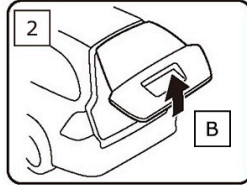
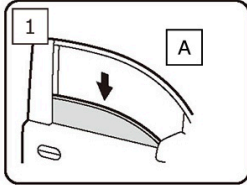
A	CLIP(2)
B	INTAKE AIR TUBE

● Negative Cable

4 Disconnect the negative cable from the battery.

NOTE

With the driver's door open, turn the vehicle to the OFF (LOCK) mode, then wait at least 3 minutes before disconnecting the 12 volt negative battery cable.



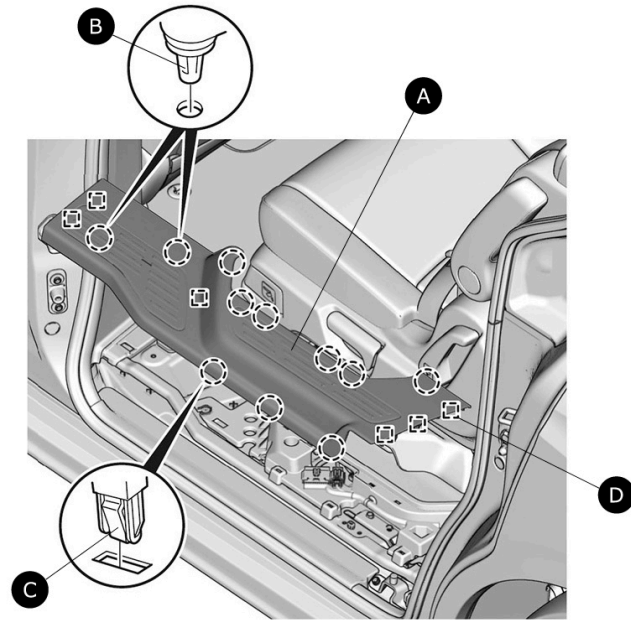
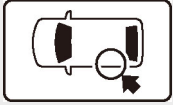
QCD0504BM

A	Lower.
B	Open.
C	Record.
D	Disconnect.

Removing the Vehicle Parts

● Left Rear Door Sill Trim

5 Remove the left rear door sill trim.

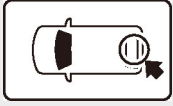


A	LEFT REAR DOOR SILL TRIM
B	CLIP(2)
C	CLIP(9)
D	RETAINING TAB(6)

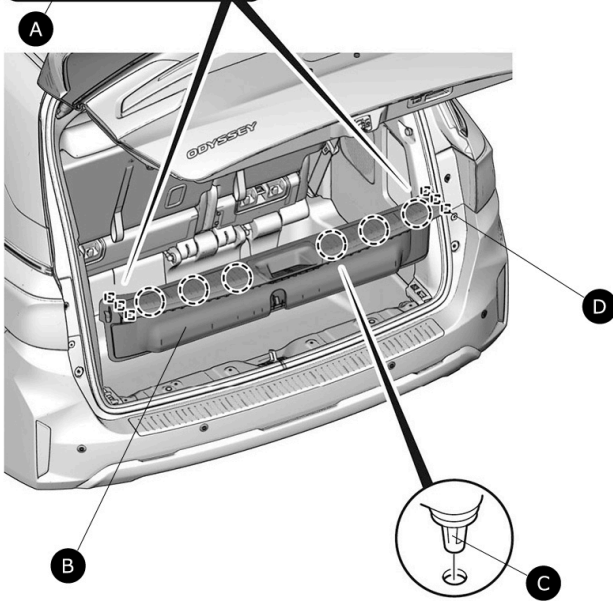
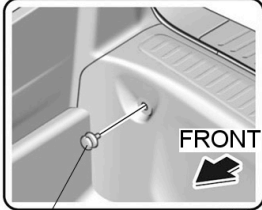
QNN0702AG

● Rear Trim Panel

6 Remove the rear trim panel.



OPPOSITE SIDE VIEW

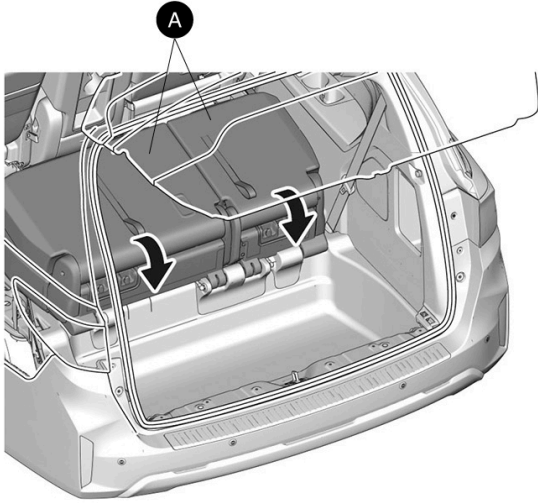
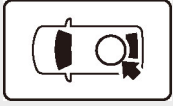


QNN0703AG

A	SIDE HOOK(2)
B	REAR TRIM PANEL
C	CLIP(6)
D	RETAINING TAB(6)

● Left Rear Side Trim Panel

7 Stow the left and right third row seats.



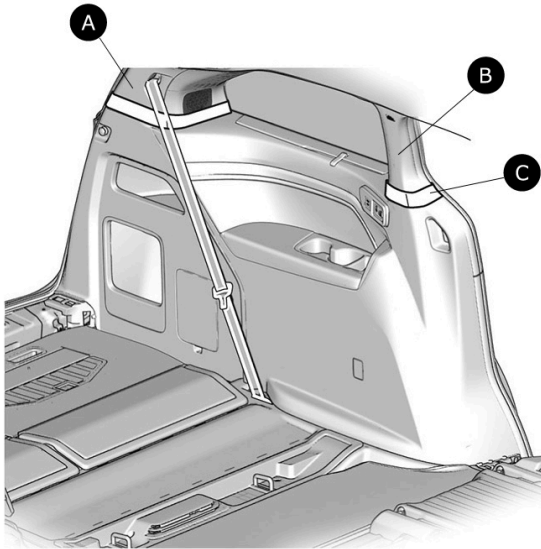
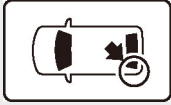
A	LEFT AND RIGHT THIRD ROW SEATS
----------	--------------------------------

QNN0704AG

8 Attach masking tape to protect the vehicle.

NOTE

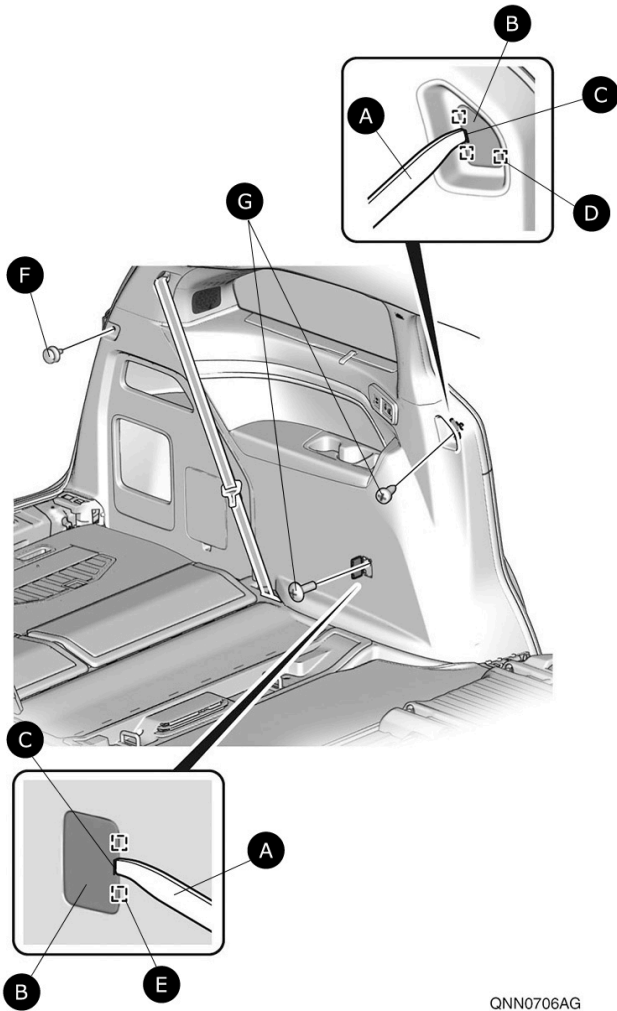
To prevent damage, do not remove the masking tape until after the parts are installed.



A	LEFT D-PILLAR TRIM
B	LEFT C-PILLAR TRIM
C	MASKING TAPE

QNN0705AG

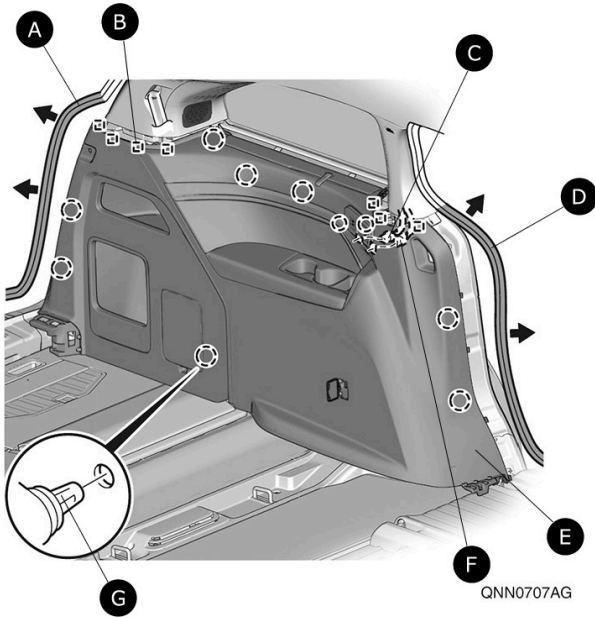
9 Remove the self-tapping screws and side hook.



A	PLASTIC TRIM TOOL
B	COVER
C	SLOT
D	RETAINING TAB(3)
E	RETAINING TAB(2)
F	SIDE HOOK
G	SELF-TAPPING SCREW(2)

QNN0706AG

10 Remove the left rear side trim panel.



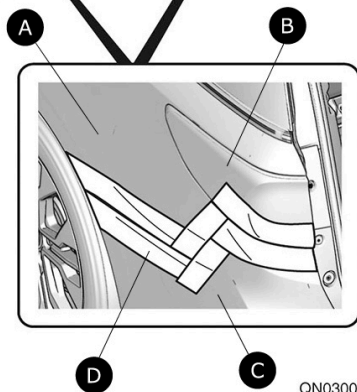
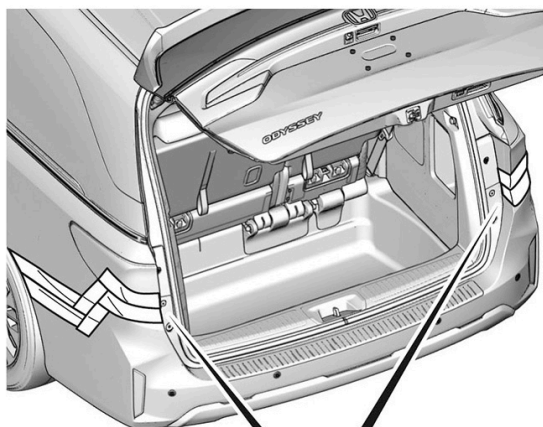
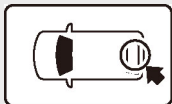
A	WEATHERSTRIP
B	RETAINING TAB(7)
C	VEHICLE CONNECTOR
D	DOOR OPENING SEAL
E	LEFT REAR SIDE TRIM PANEL
F	VEHICLE CONNECTOR (if equipped)
G	CLIP(10)

● Rear Bumper

11 Attach masking tape to protect the vehicle.

NOTE

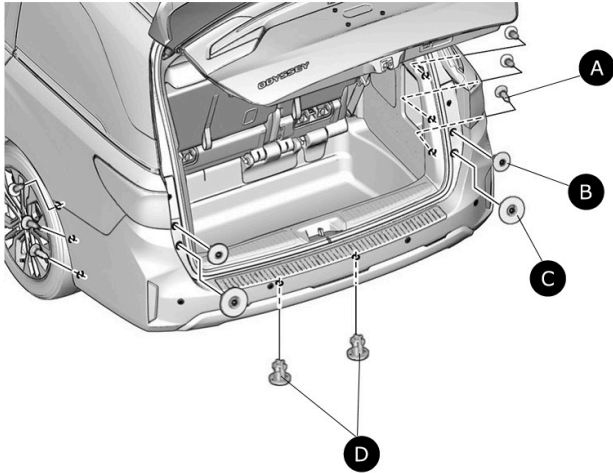
To prevent damage, do not remove the masking tape until after the parts are installed.



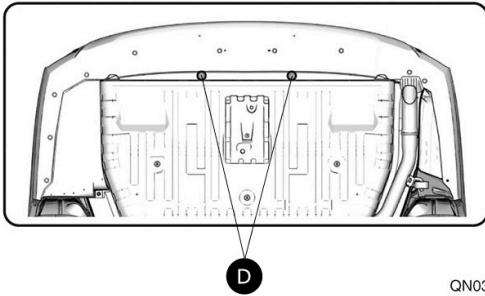
A	REAR FENDER
B	TAILLIGHT
C	REAR BUMPER
D	MASKING TAPE

QN03002AG

12 Remove the self-tapping screws, clips, and hex bolts.

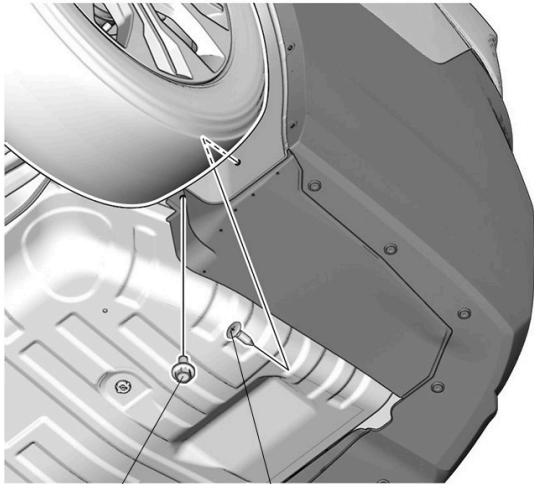
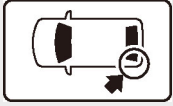


A	SELF-TAPPING SCREW(6)
B	HEX BOLT(2)
C	HEX BOLT (large)(2)
D	CLIP(2)



QN03003AG

13 Remove the self-tapping screw and bolt.



A

B

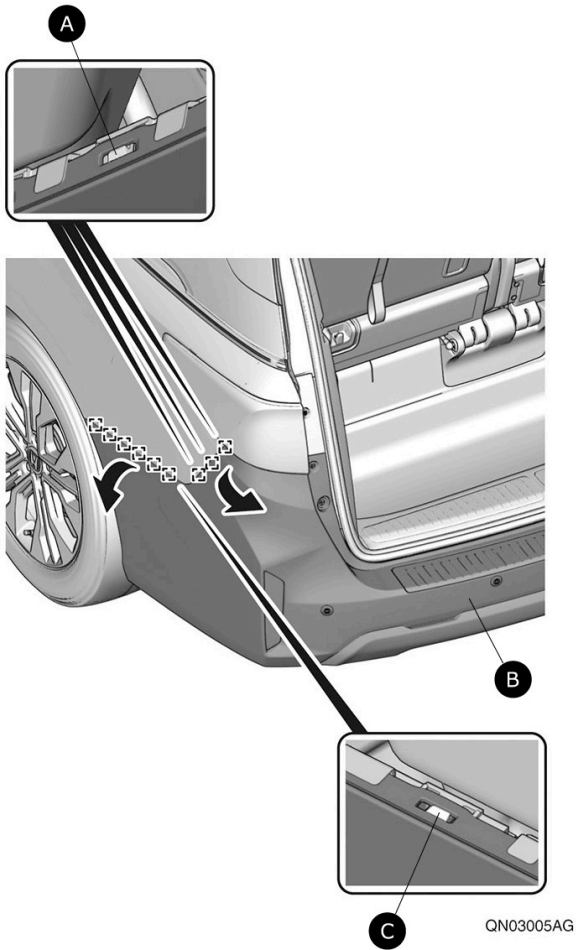
QN03004AG

A	BOLT
B	SELF-TAPPING SCREW

14 Release the retaining tabs.

NOTE

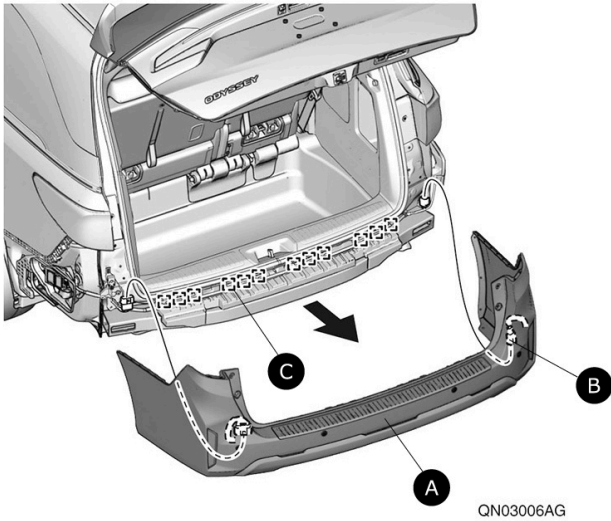
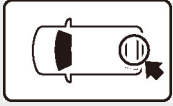
- Release the retaining tabs starting from outside working in.
- Make sure to release the retaining tabs in the correct orientation.



A	RETAINING TAB(3)
B	REAR BUMPER
C	RETAINING TAB(6)

15 Repeat step 14 on the other side.

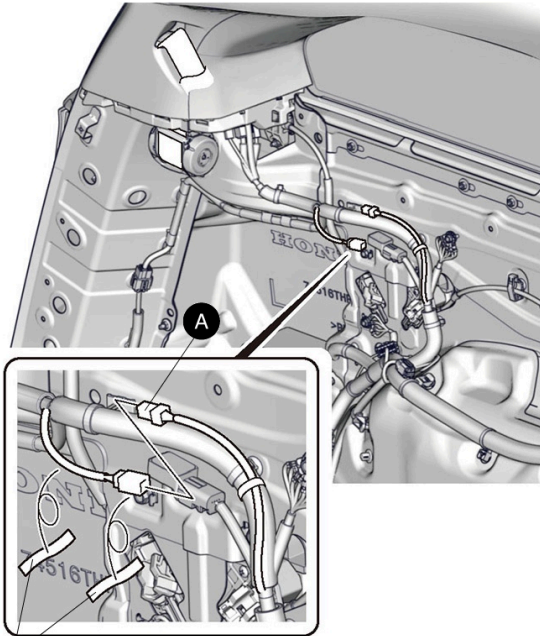
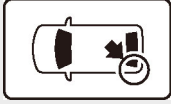
16 Remove the rear bumper.



A	REAR BUMPER
B	VEHICLE CONNECTORS (if equipped)
C	RETAINING TAB(12)

Routing the Harness A

17 Release the vehicle connectors.



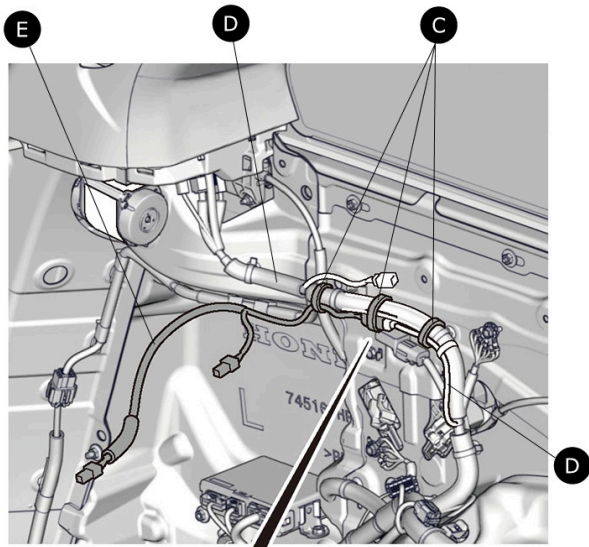
A	VEHICLE 2-PIN CONNECTOR
A	TAPES (Remove.)

A

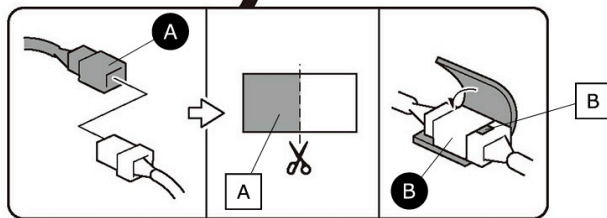
QF60211BG

18 Unplug the vehicle connector.

19 Plug-in the vehicle connector.



A	HARNESS A 2-PIN CONNECTOR
B	2-PIN CONNECTORS
A	URETHANE TAPE (Cut in half.)
B	CONNECTOR LOCK (Do not cover.)
C	WIRE TIE A(3)
D	VEHICLE HARNESS
E	HARNESS A

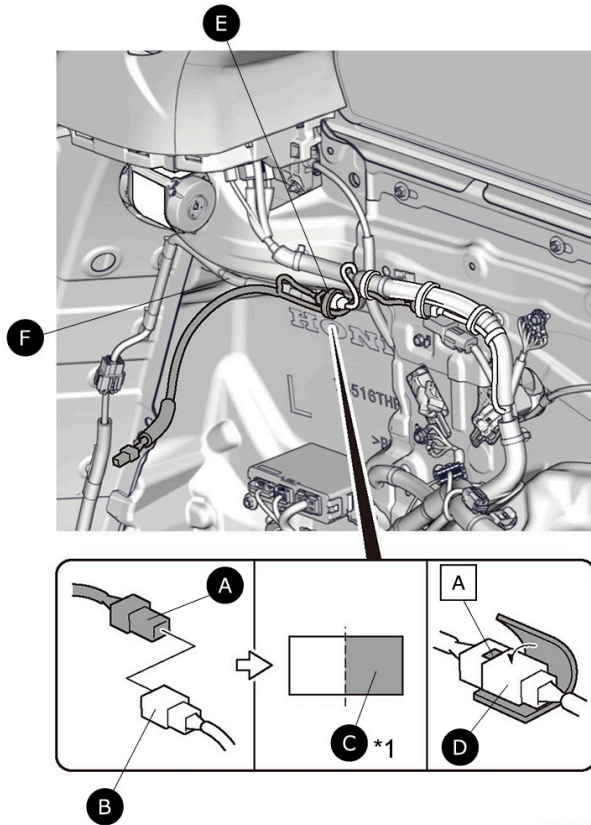


QF60212BG

20 Attach the urethane tape.

21 Secure the harness A, vehicle harness, and connectors.

22 Plug-in the harness A connector.



QF72901AB

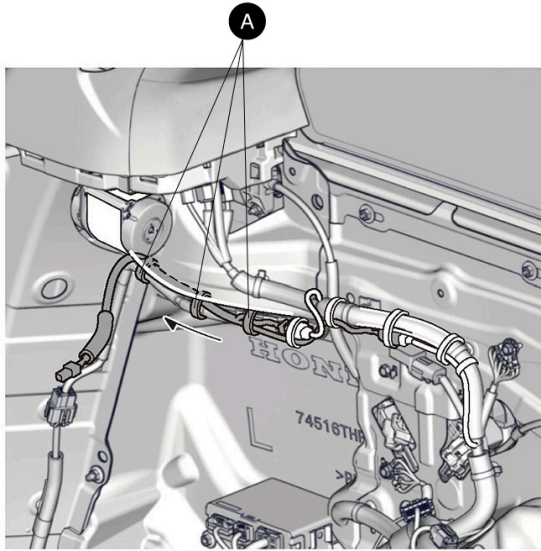
A	HARNESS A 2-PIN CONNECTOR
B	VEHICLE 2-PIN CONNECTOR
C	URETHANE TAPE
D	2-PIN CONNECTORS
A	CONNECTOR LOCK (Do not cover.)
E	WIRE TIE A
F	VEHICLE HARNESS

*1: Cut in step 20.

23 Attach the urethane tape.

24 Secure the harness A and connectors.

25 Secure the harness A.

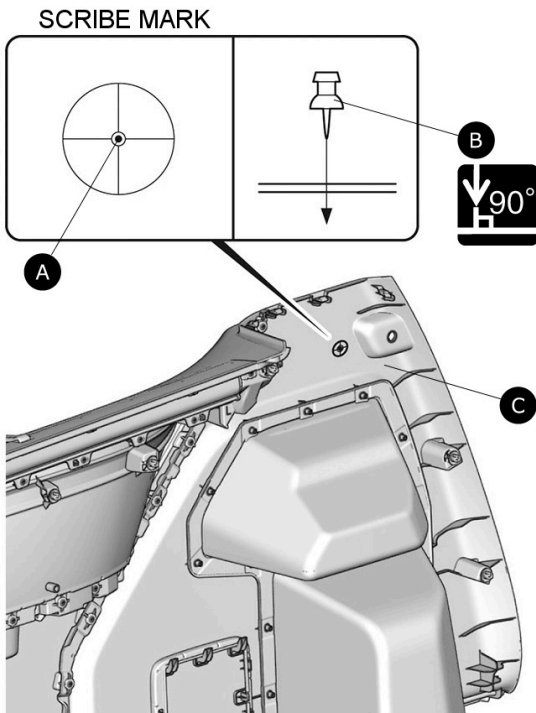


QF60213CG

A	WIRE TIE A(3)
----------	---------------

Installing the Switch

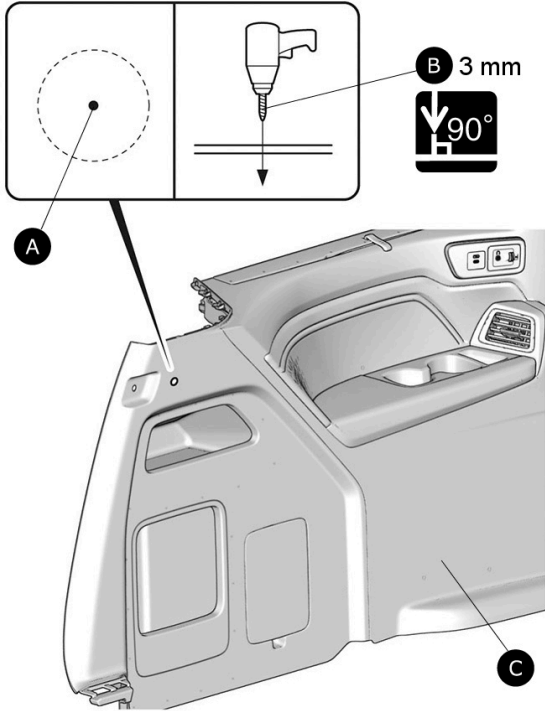
26 Pierce the left rear side trim panel.



QNN0801AG

A	MARK
B	PUSHPIN
C	LEFT REAR SIDE TRIM PANEL (inside)

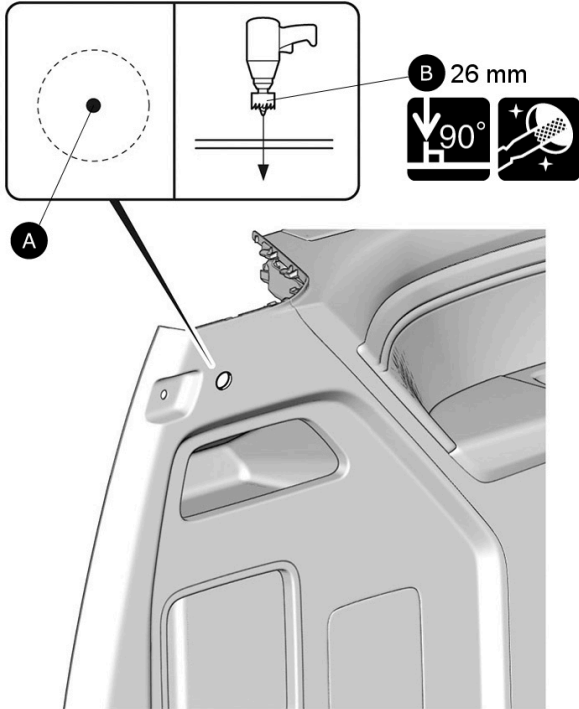
27 Drill the left rear side trim panel.



A	MARK
B	DRILL BIT
C	LEFT REAR SIDE TRIM PANEL (outside)

QNN0802AG

28 Drill the left rear side trim panel.



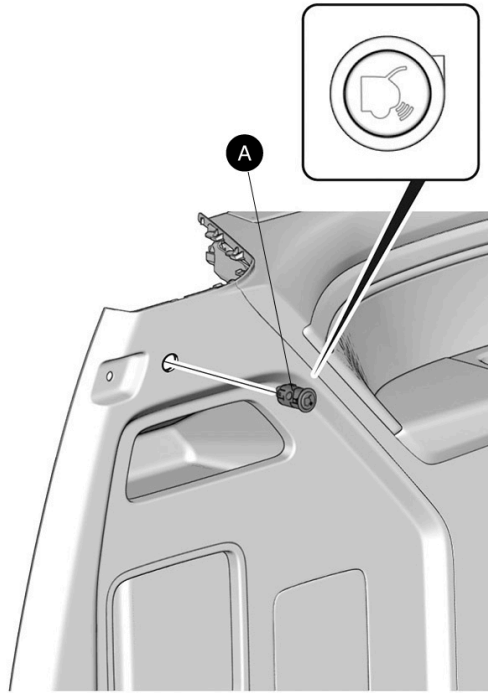
A	HOLE
B	HOLE SAW

QNN0803AG

29 Insert the switch.

NOTE

Make sure to insert the switch in the correct orientation.



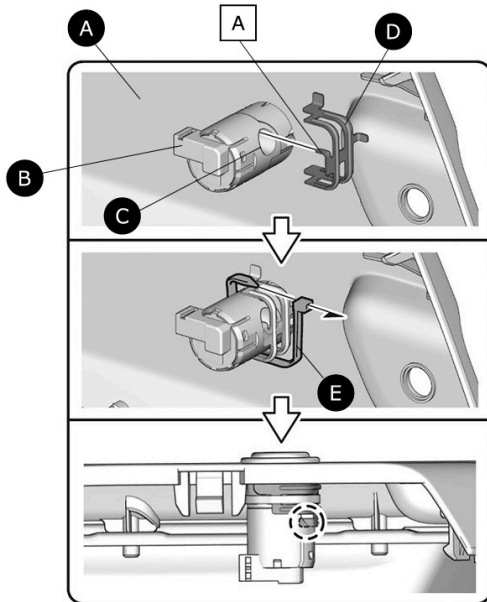
A SWITCH

QP40202AN

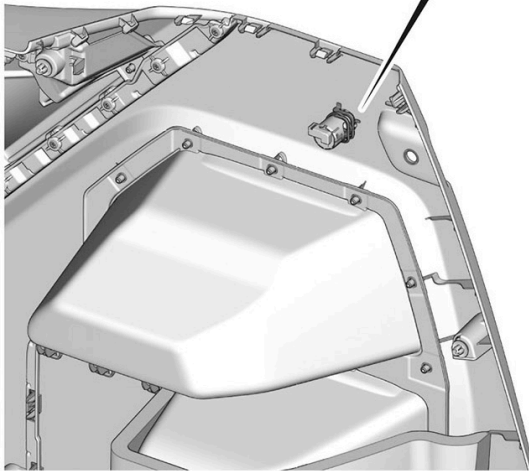
30 Secure the bracket.

NOTE

Firmly press the bracket against the left rear side trim panel, and make sure that there is no clearance between the switch and left rear side trim panel.

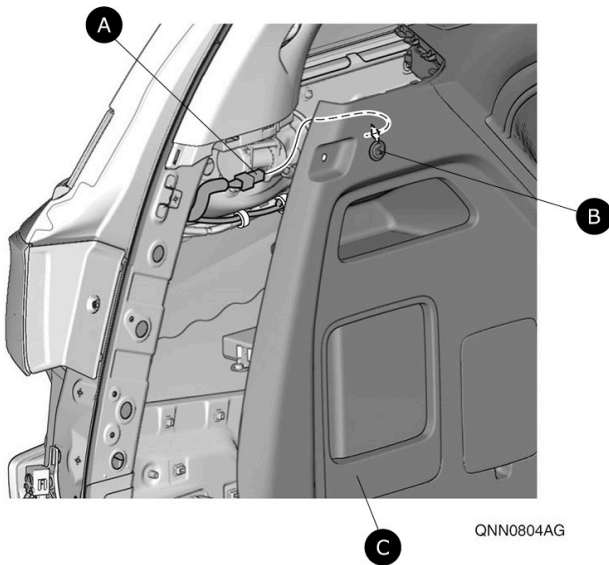
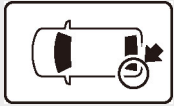


A	LEFT REAR SIDE TRIM PANEL (inside)
A	TAB (line up with the hole.)
B	SWITCH
C	HOLE
D	BRACKET
E	WIRE TIE B (narrow)



QP32901AN

31 Plug-in the harness A connector.



A	HARNESS A 3-PIN CONNECTOR
B	SWITCH
C	LEFT REAR SIDE TRIM PANEL

32 Install the left rear side trim panel.

Installing the Hands-Free Access Unit

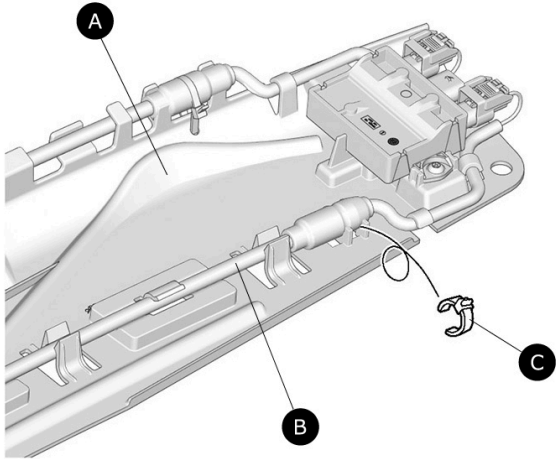
33 Choose one of these options.

• With accessory trailer hitch	Go to step 34
• Without accessory trailer hitch	Go to step 39

34 Cut the wire tie.

NOTE

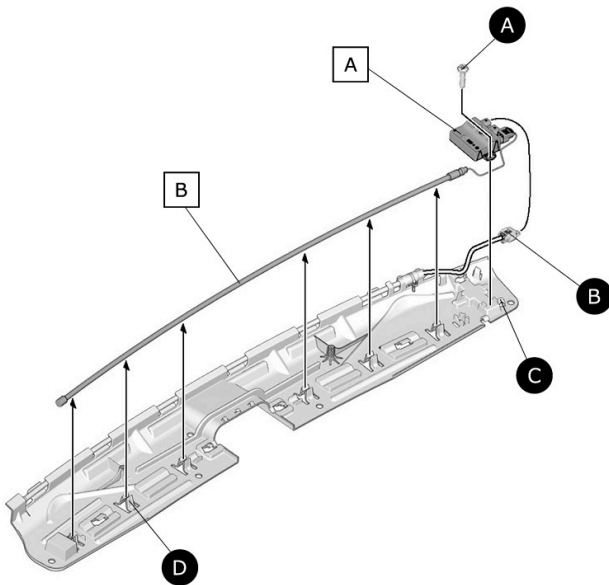
Be careful not to damage the lower antenna.



QF52940AT

A	HANDS-FREE ACCESS UNIT
B	LOWER ANTENNA
C	WIRE TIE

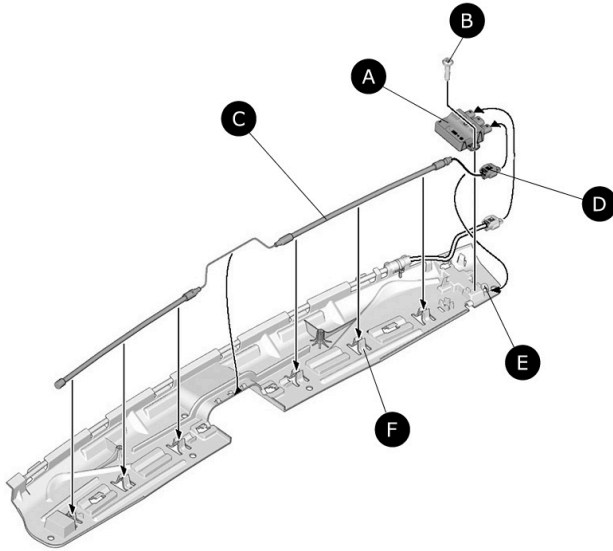
35 Remove the Hands-Free Access ECU.



QF52923CT

A	TORX SCREW
B	UPPER ANTENNA 2-PIN CONNECTOR
C	GUIDE(6)
D	HOLDER(6)
A	HANDS-FREE ACCESS ECU (Do not reuse.)
B	LOWER ANTENNA (Do not reuse.)

36 Plug-in the new lower antenna connector and upper antenna connector.



QF52924CT

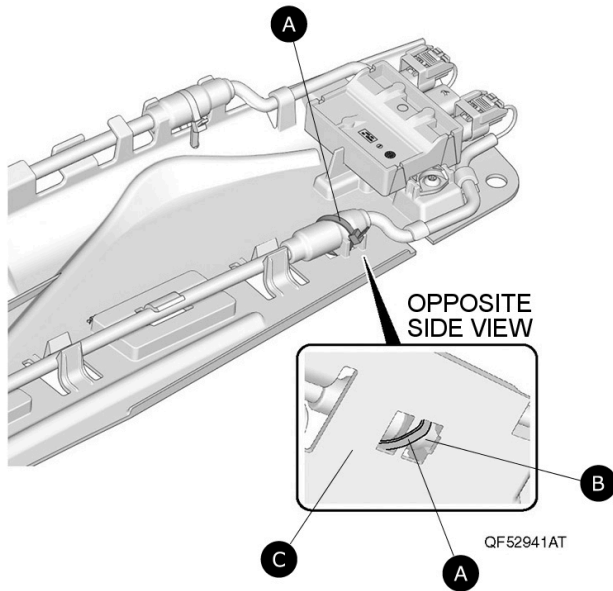
A	NEW HANDS-FREE ACCESS ECU
B	TORX SCREW
C	NEW LOWER ANTENNA
D	NEW LOWER ANTENNA 2-PIN CONNECTOR
E	GUIDE(9)
F	HOLDER(6)

37 Install the new Hands-Free Access ECU and new lower antenna.

38 Secure the lower antenna.

NOTE

Lower antenna and Hands-Free Access ECU must both be replaced for the system to function properly.

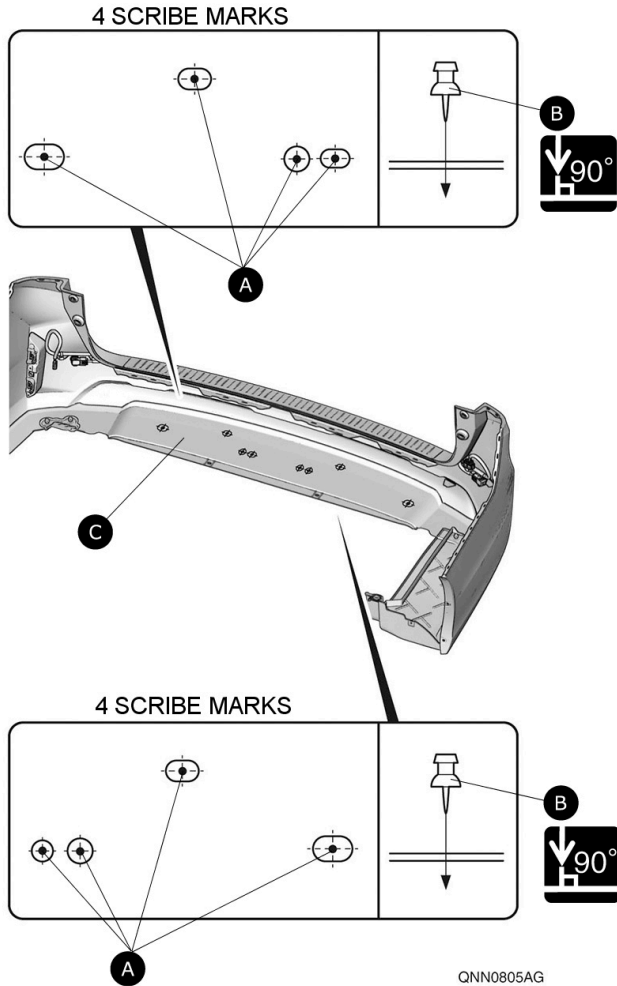


A	WIRE TIE C (narrow) (short)
B	NEW LOWER ANTENNA
C	HANDS-FREE ACCESS UNIT

39 Pierce the rear bumper.

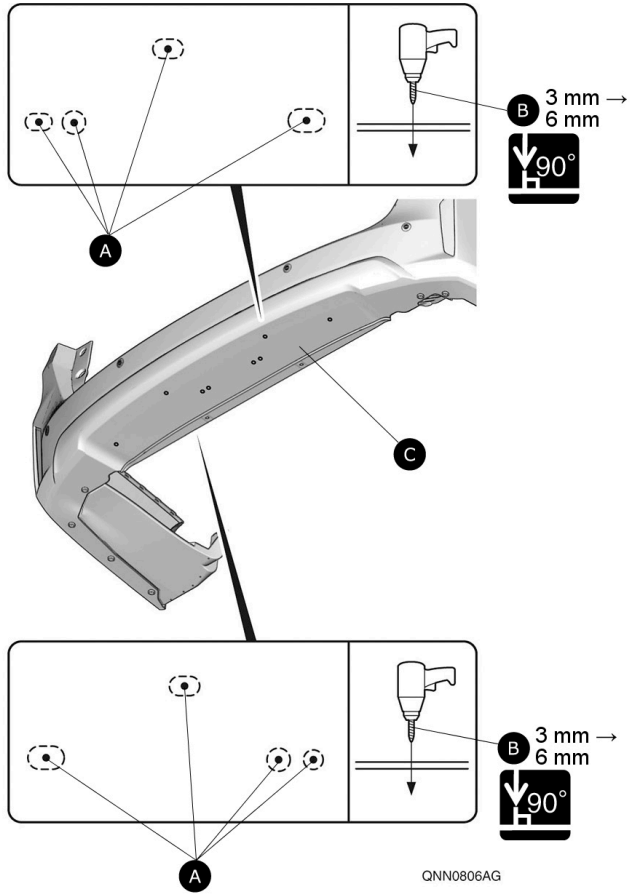
NOTE

Scribe marks are on the bottom of the rear bumper.



A	MARK(4)
B	PUSHPIN
C	REAR BUMPER (inside)

40 Drill the rear bumper.

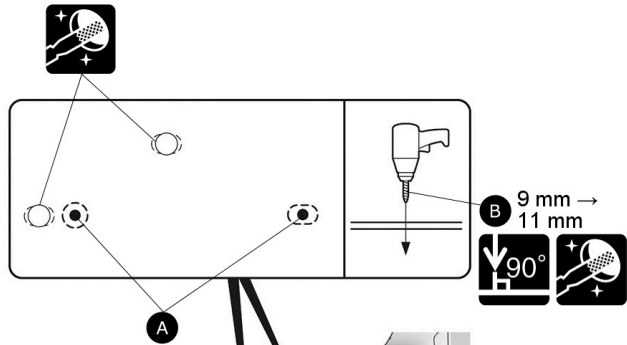


A	MARK(4)
B	DRILL BITS
C	REAR BUMPER (outside)

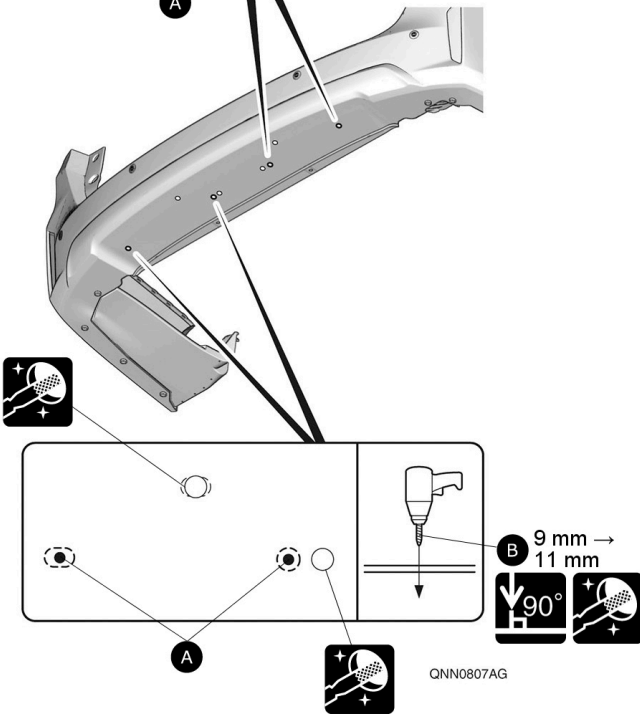
41 Drill the rear bumper.

NOTE

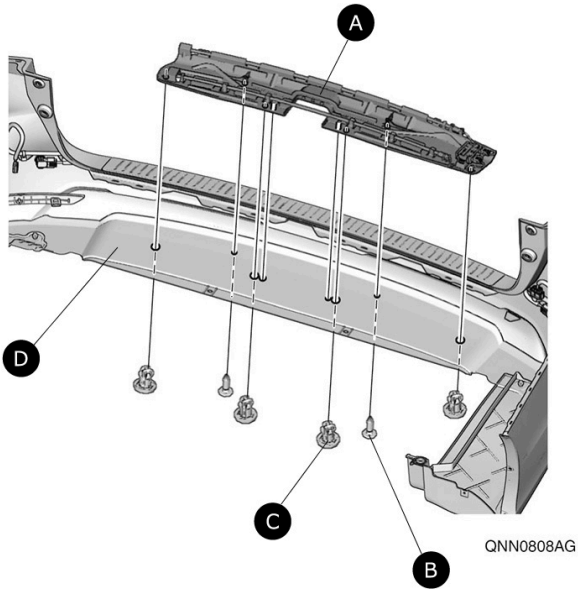
Make sure to drill the correct position.



A	HOLE(2)
B	DRILL BITS



42 Install the Hands-Free Access unit.



A	HANDS-FREE ACCESS UNIT
B	SELF-TAPPING SCREW(2)
C	CLIP(4)
D	REAR BUMPER (inside)

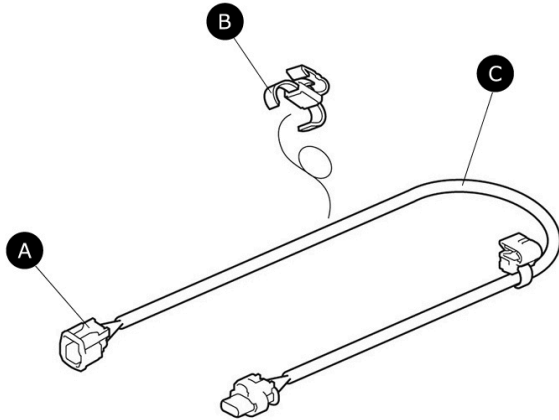
43 Choose one of these options.

• With standard parking sensors	Go to step 44
• Without standard parking sensors	Go to step 47

44 Cut the clip.

NOTE

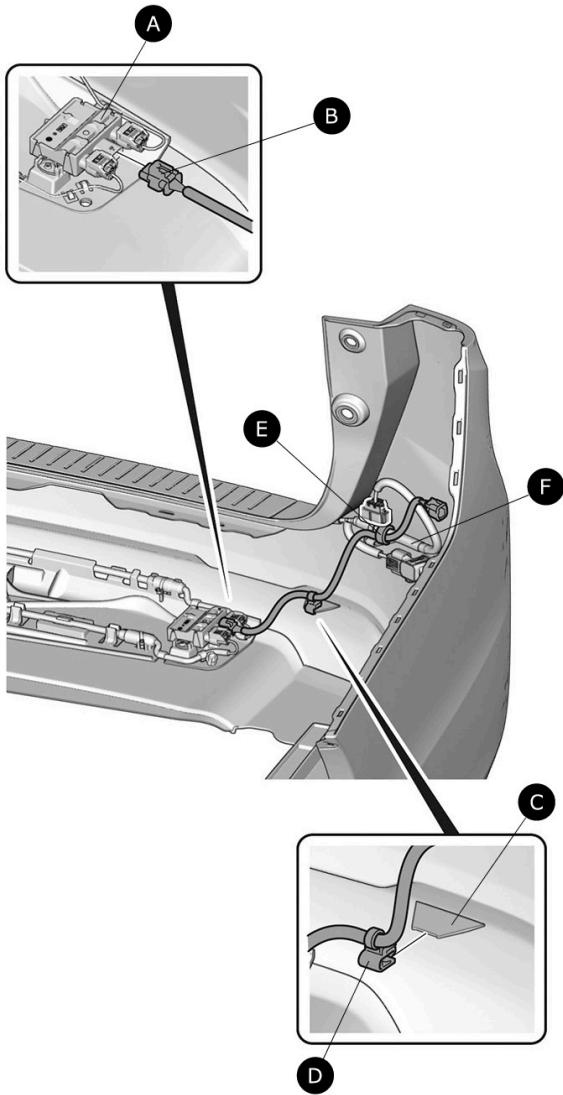
Be careful not to damage the harness.



A	HARNESS B 4-PIN CONNECTOR
B	HARNESS B CLIP
C	HARNESS B

QNN0809AG

45 Plug-in the harness B connector.



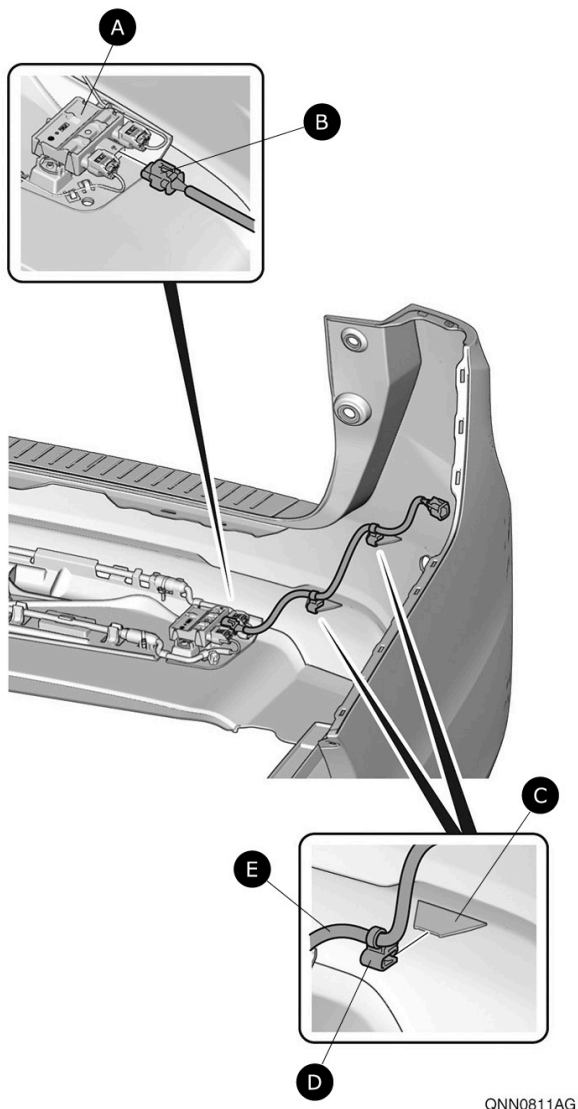
QNN0810AG

A	HANDS-FREE ACCESS ECU
B	HARNESS B 3-PIN CONNECTOR
C	RIB
D	HARNESS B CLIP
E	WIRE TIE A
F	VEHICLE HARNESS

46 Secure the harness B.

Go to step [49](#)

47 Plug-in the harness B connector.

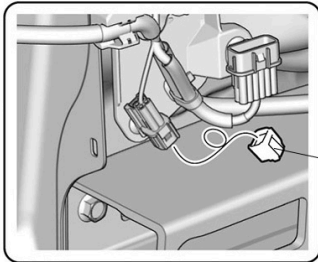
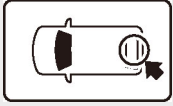


A	HANDS-FREE ACCESS ECU
B	HARNESS B 3-PIN CONNECTOR
C	RIB(2)
D	HARNESS B CLIP(2)
E	HARNESS B

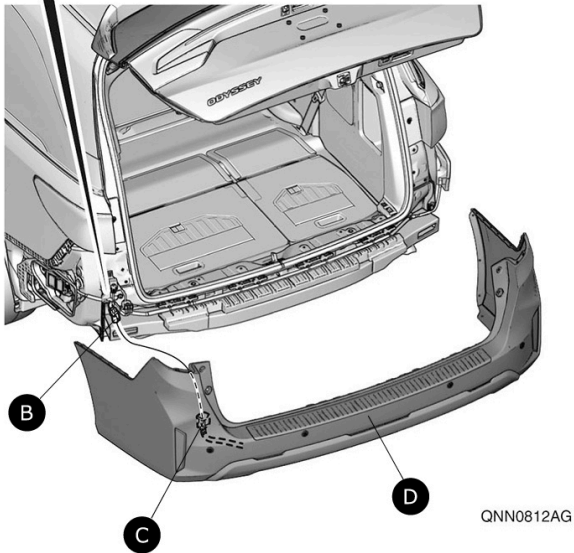
48 Secure the harness B.

QNN0811AG

49 Remove the dummy connector.



A	DUMMY CONNECTOR
B	VEHICLE 4-PIN CONNECTOR
C	HARNESS B 4-PIN CONNECTOR
D	REAR BUMPER



50 Plug-in the harness B connector.

51 Install the rear bumper.

Check After Installation

52 Check that all parts are installed and properly routed.

NOTE

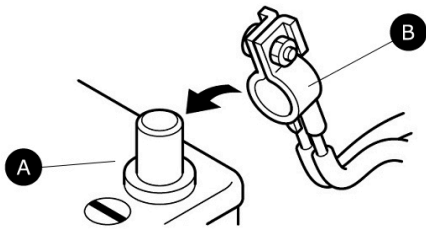
- Check that all harnesses are not pulled or pinched.
- Make sure all clips and wire ties are securely installed.

Installing All Removed Parts

53 Install all removed parts except for the front bulkhead cover and intake air tube.

Operation Check

54 Connect the negative cable to the battery.



Q060702BM

A	BATTERY
B	NEGATIVE CABLE

55 Install the intake air tube and front bulkhead cover.

56 Make sure the accessory operates as described in the Accessory User's Information Manual.

■ Vehicle Check

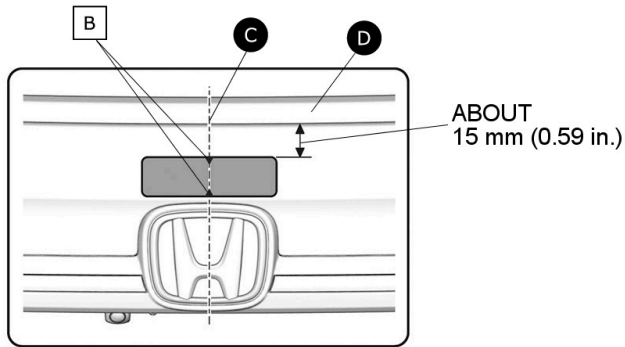
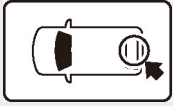
57 Make sure all accessories and systems operate properly.

58 If necessary, restore the systems back to normal operation as described in the service information.

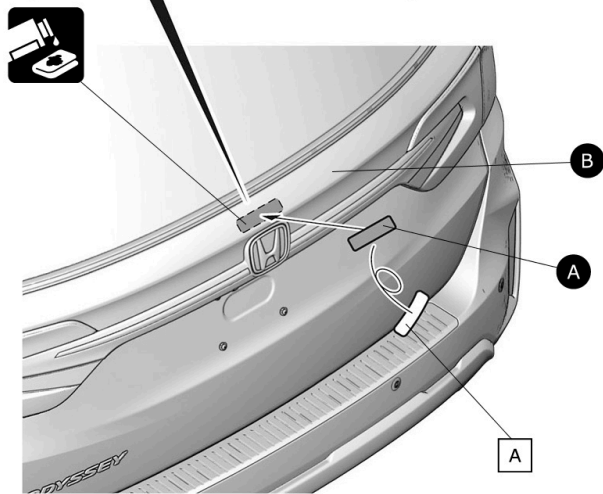
59 Press and hold the audio unit power button for 2 seconds to restore the audio and navi (if equipped) system functions.

Attach the Sticker

60 Clean the attaching area.



A	STICKER
B	TAILGATE
C	VEHICLE CENTER
D	CHROME STRIP
A	ADHESIVE BACKING (Remove.)
B	MARK (Line up with the vehicle center.)(2)



QNN0813AG

61 Attach the sticker.

NOTE

Make sure the customer is aware the sticker can be removed after reading.

Give the following item(s) to your customer.

Accessory User's Information Manual