



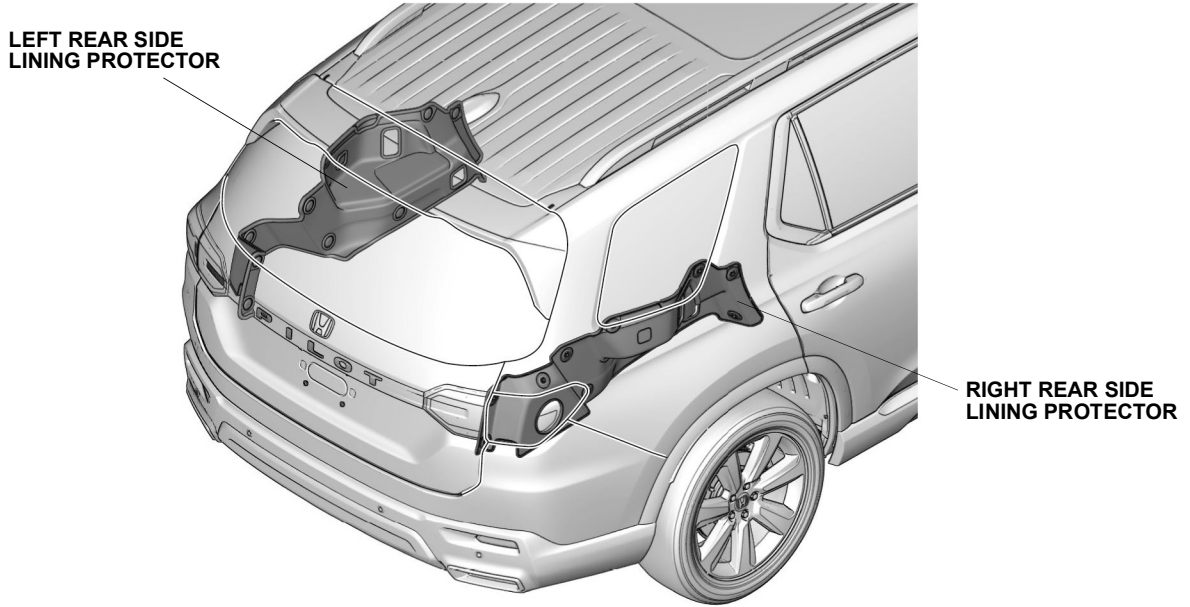
INSTALLATION INSTRUCTIONS

Accessory
SIDE LINING PROTECTORS

Application
**2023 PILOT
MODEL SERIES**

Publications No.
VERSION 1
Issue Date
NOV 2022

GENERAL VIEW



QM61701AB

FOR YOUR SAFETY (Read carefully.)

Warning Symbols

Safety: Your safety, and the safety of others, is important. To help you make informed decisions about service procedures, we have provided safety messages where appropriate. Of course, it is not practical or possible to warn you about all the hazards associated with servicing a vehicle - you must use your own good judgment.

You will find important safety messages preceded by one of the following symbols:

*All symbols are not used in all installation instructions.

 **DANGER**

You will be killed or seriously hurt if you do not follow the instructions.

 **WARNING**

You can be killed or seriously hurt if you do not follow the instructions.

 **CAUTION**

You can be hurt if you do not follow the instructions.

NOTICE

Gives advice to prevent damage to the product, vehicle, the environment or other property.

NOTE

Gives helpful information or instructions to be followed when installing this product.

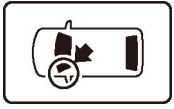


Indicates a prohibited action.

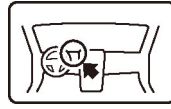
Procedure and Location Icons

These icons indicate the work location and the worker's point of view.

*All icons are not used in all installation instructions.



The location on the vehicle.



The location in the vehicle.
(Instrument panel.)



Wear eye protection.



Wear heavy gloves.



Use an assistant.



Place the part on a blanket.



Work perpendicular.



Remove any burrs.



Use touch-up paint and allow to dry.



Tighten to the specified torque.



Apply firm pressure while rolling, especially at the ends, to set the adhesive.



Press firmly.



Clean with isopropyl alcohol.



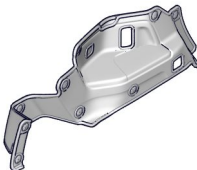
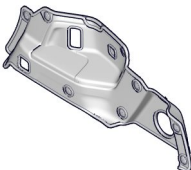

Return the original part to the customer.
(Do not reuse.)

Safety: General

- Be careful not to damage the vehicle or the parts.
- The illustrations may differ slightly from the actual accessory.

PARTS LIST

Side Lining Protectors Kit (P/N 08P42-T90-100A)

Left rear side lining protector	Right rear side lining protector	Rivets (20)
		

REQUIRED TOOLS AND SUPPLIES

- Flat-tip screwdriver
- Utility knife
- Ruler
- Drill
- T-pin
- Masking tape
- 3 mm Drill bit
- File
- Eye protection
(face shield, safety goggles, etc.)

The following tool is available through the Honda Tool and Equipment Program:

Rotabroach Hole Cutting Kit

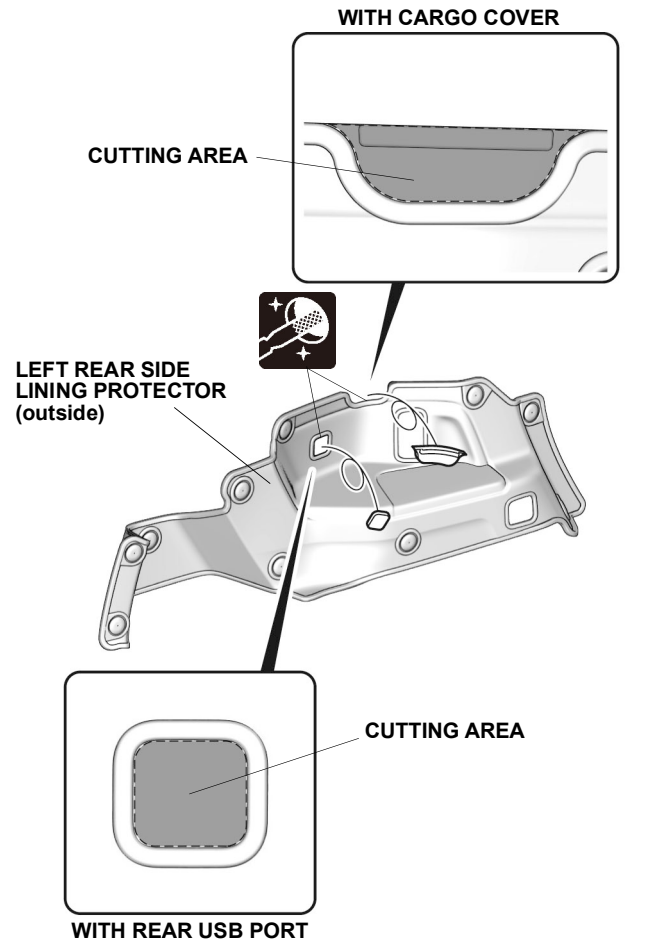
(T/N BLR11201SO)

INSTALLATION

1. Choose one of these options.

- | | |
|---|--------------|
| • With cargo cover or rear USB port | Go to step 2 |
| • Without cargo cover and rear USB port | Go to step 3 |

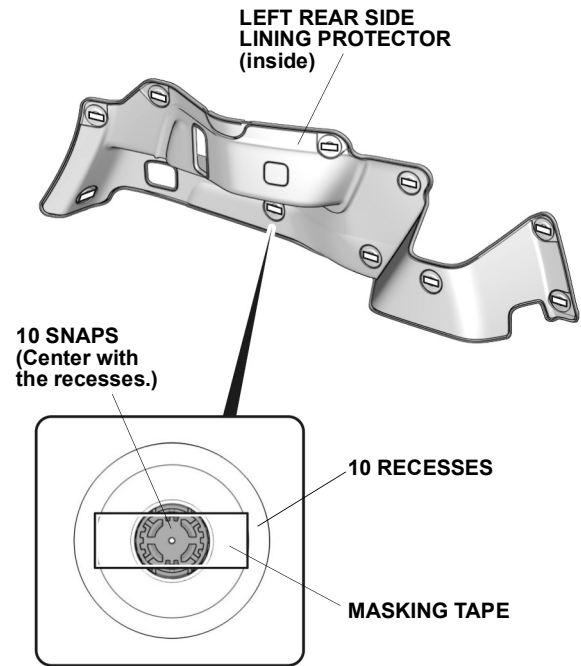
2. Cut out the left rear side lining protector.



QM61702AB

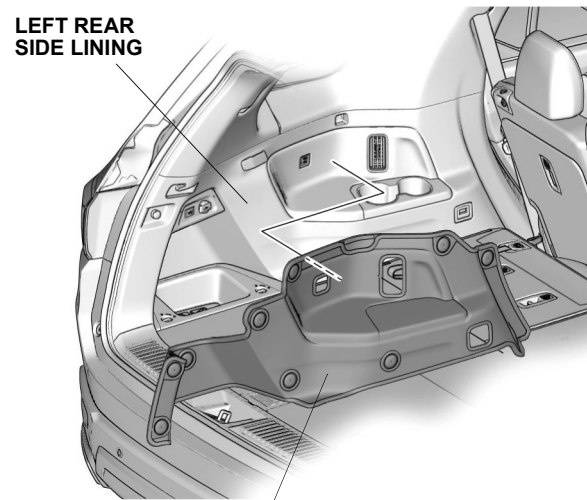
3. Secure the snaps.

NOTE
Make sure the snaps are centered in the recess.



QM61703AB

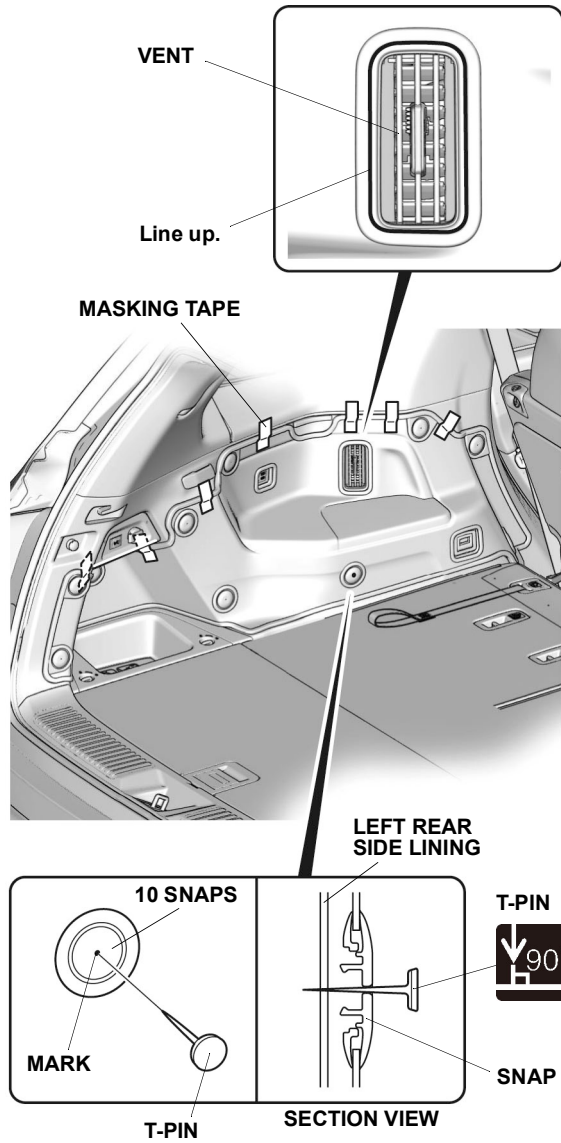
4. Line up the left rear side lining protector.



Line up with the contour of the left rear side lining.

QM61704AB

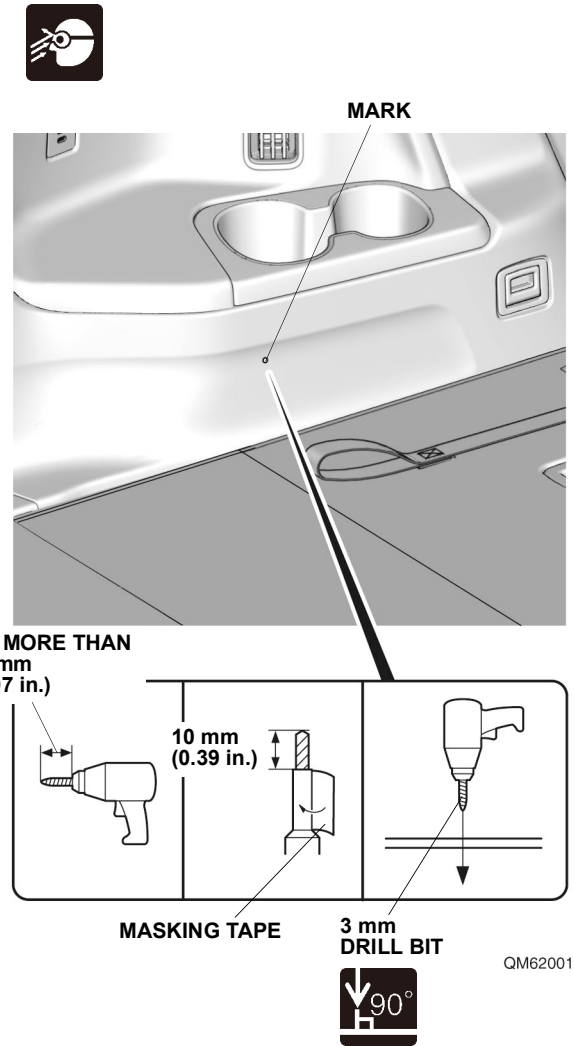
5. Temporarily attach the left rear side lining protector.



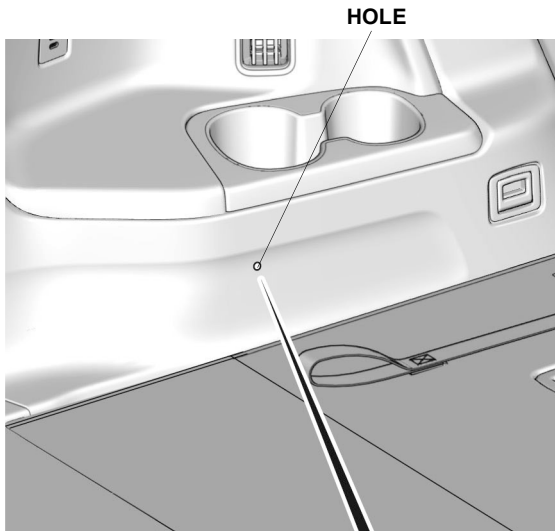
6. Pierce the left rear side lining.

7. Remove the left rear side lining protector.

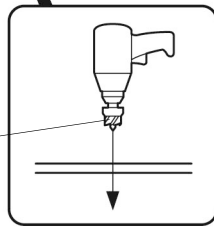
8. Drill the left rear side lining.



9. Drill the left rear side lining.

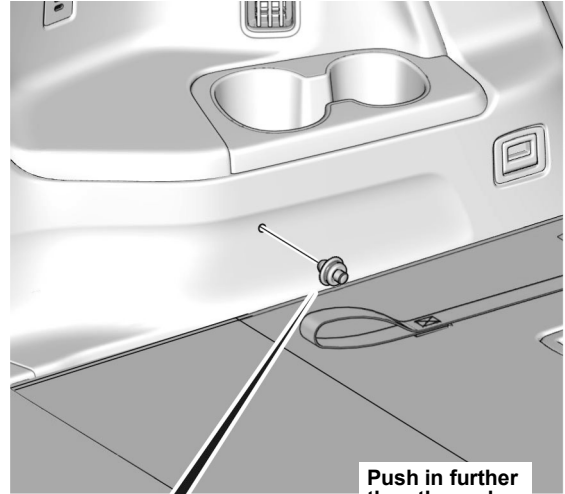


6 mm
ROTABROACH BIT



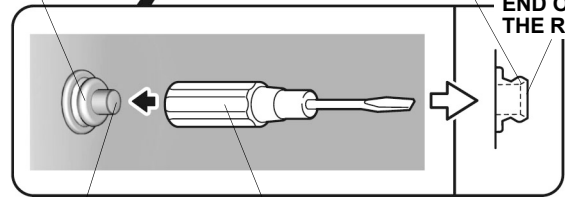
QM62002BB

10. Install the rivet.



Push in further
than the end
of the rivet.

RIVET



PROTRUD-
ING PORTION

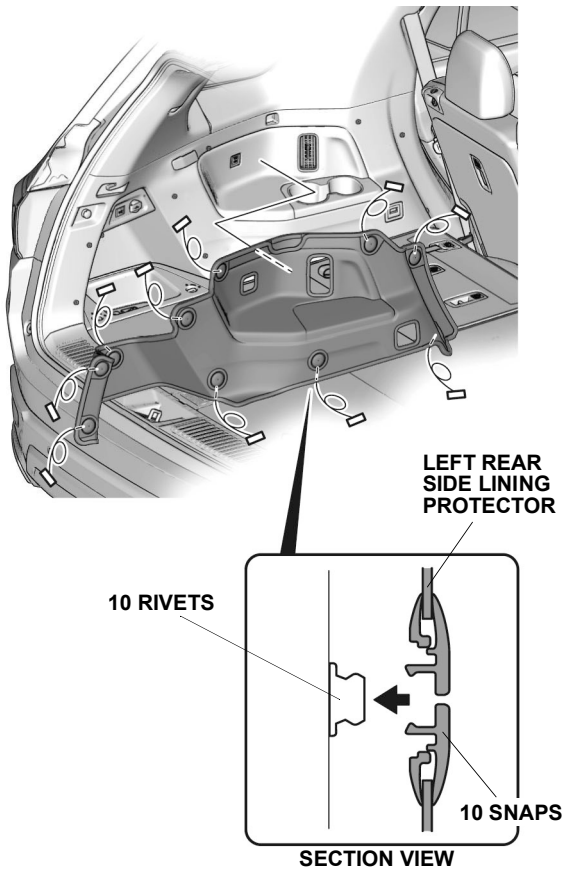
Push in the protruding
portion using a flat-tip
screwdriver handle, etc.

SECTION
VIEW

QM62003AB

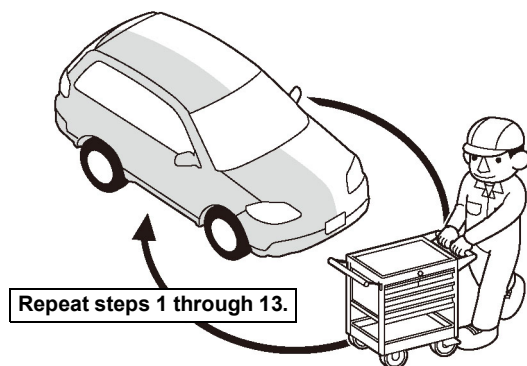
11. Repeat steps 8 through 10 for the remaining snaps.

12. Remove the masking tape.
13. Secure the left rear side lining protector.



QM62005BB

14. Repeat the same procedures on the other side.



Q9D1014AM

15. Check that all parts are installed properly.