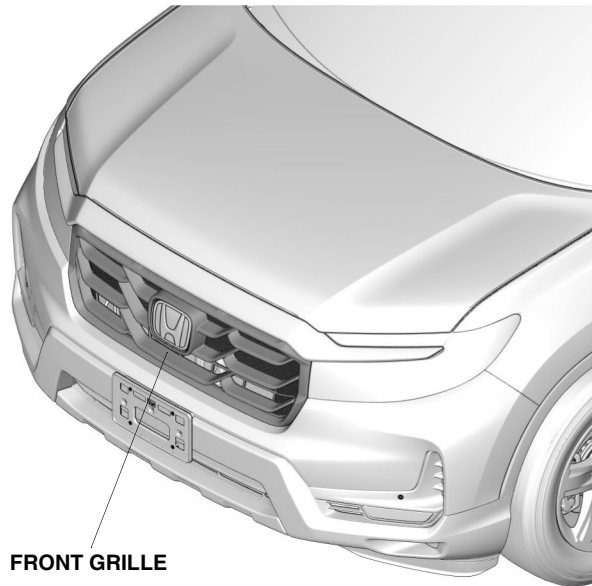




## INSTALLATION INSTRUCTIONS

Accessory	Application	Publications No. <b>VERSION 1</b>
FRONT GRILLE	2021 RIDGELINE	Issue Date <b>JAN 2021</b>

### GENERAL VIEW



FRONT GRILLE

QK70901AN

### FOR YOUR SAFETY (Read carefully.)

#### Warning Symbols

Safety: Your safety, and the safety of others, is important. To help you make informed decisions about service procedures, we have provided safety messages where appropriate. Of course, it is not practical or possible to warn you about all the hazards associated with servicing a vehicle - you must use your own good judgment.

You will find important safety messages preceded by one of following symbols:

\*All symbols are not used in all installation instructions.

**⚠ DANGER**

You will be killed or seriously hurt if you do not follow the instructions.

**⚠ WARNING**

You can be killed or seriously hurt if you do not follow the instructions.

**⚠ CAUTION**

You can be hurt if you do not follow the instructions.

**NOTICE**

Gives advice to prevent damage to the product or vehicle or the environment.

**NOTE**

Gives helpful information or instructions to be followed when using the product.

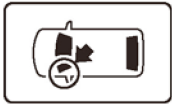


Indicates a prohibited action

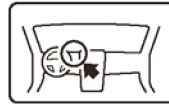
## Procedure and Location Icons

These icons indicate the work location and the worker's point of view.

\*All icons are not used in all installation instructions.



The location on the vehicle.



The location in the vehicle.  
(instrument panel.)



Wear eye protection.



Wear heavy gloves.



Use an assistant.



Place the part on a blanket.



Work perpendicular.



Remove any burrs.



Use touch-up paint and allow to dry.



Tighten to the specified torque.



Apply firm pressure while rolling, especially at the ends, to set the adhesive.



Press firmly.

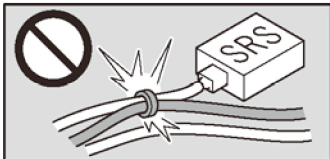


Clean with isopropyl alcohol.

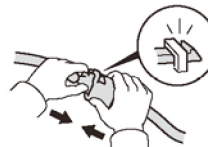


Return the original part to the customer.  
(Do not use.)

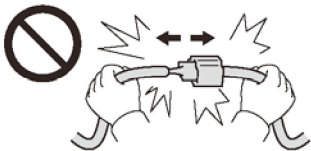
## Wire Harness Routing Precautions



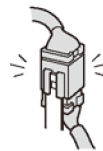
Do not secure the accessory harness and SRS harness together. (except for instruction cases).



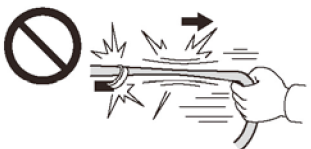
Push the connectors and terminals together until they lock.



Do not pull the harness to unplug the connectors.



Install removed connectors in their original location.



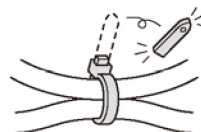
Do not pull the harness.



Secure the accessory harness as shown.



Do not pinch the harness.



Cut off the excess wire tie.

## Safety: General

- Observe all safety notes and precautions described in the service information, in addition to those described in this Installation Instruction. Be extremely careful for your safety and safety of others.
- Be careful not to damage the vehicle or the parts.
- Be extremely careful when handling retaining tabs and clips.
- Note the locations of the parts before removing them so they can be properly installed in their original positions.
- The illustrations may differ slightly from the actual accessory.

## Safety: Electric Parts

- Always disconnect the negative cable from the battery before beginning work.

## Safety: Accessory

- Always use the parts and tools specified in the installation instructions.

## PARTS LIST

Front Grille Kit  
(P/N 08F21-T6Z-100A)  
(P/N 08F21-T6Z-P00A)

Front grille



## REQUIRED TOOLS AND SUPPLIES

- Phillips screwdriver
- Flat-tip screwdriver
- 10 mm Open end wrench
- 10 mm Socket
- Ratchet
- Blanket
- Shop towel
- Masking tape

The following tools are available through the Honda Tool and Equipment Program:

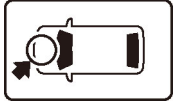
- Trim Tool Set (T/N SOJATP2014)
- Plastic Trim Tool (T/N SILTRIMTL10)

## INSTALLATION

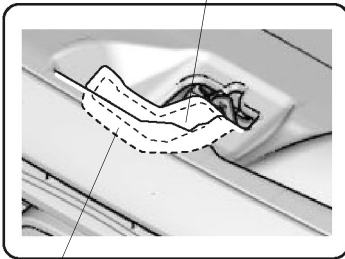
1. Wrap a shop towel.

### NOTE

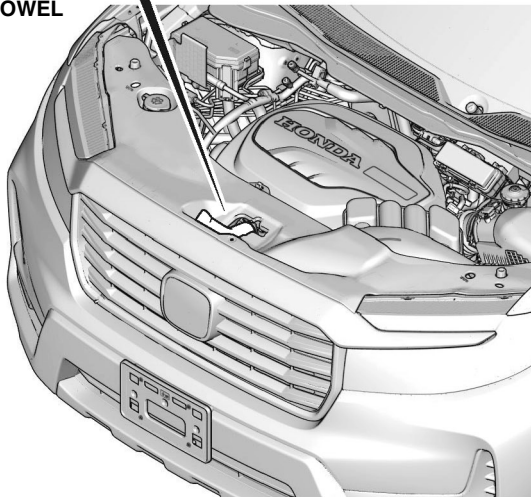
Do not remove the shop towel until after the parts are installed.



HOOD LATCH  
LEVER



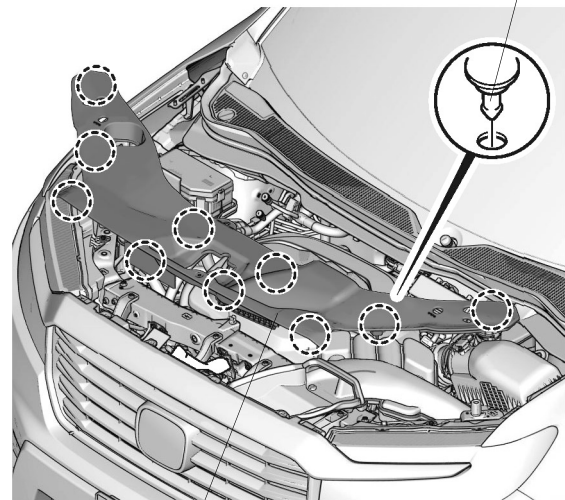
SHOP  
TOWEL



QK63002AG

2. Remove the front bulkhead cover.

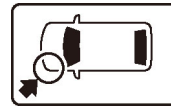
10 CLIPS



QK63003AG

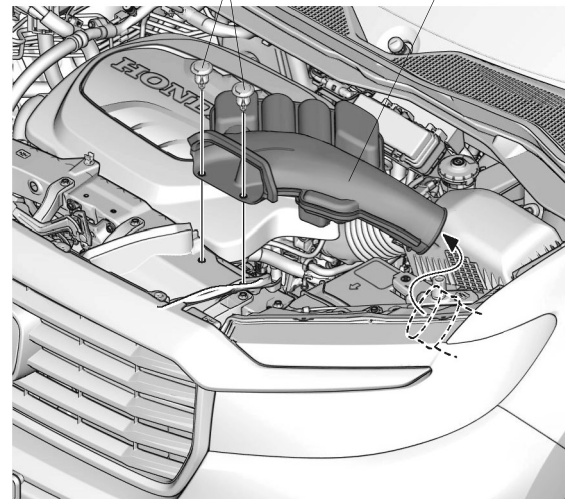
FRONT BULKHEAD  
COVER

3. Remove the intake air tube.



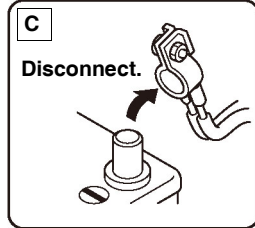
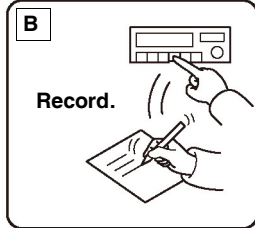
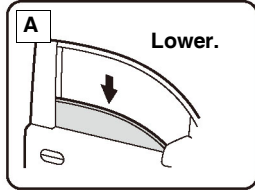
2 CLIPS

INTAKE  
AIR TUBE



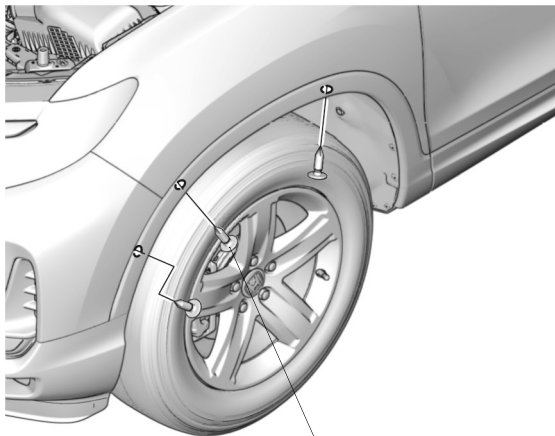
QK63004AG

4. Disconnect the negative cable from the battery.



QCD0502BM

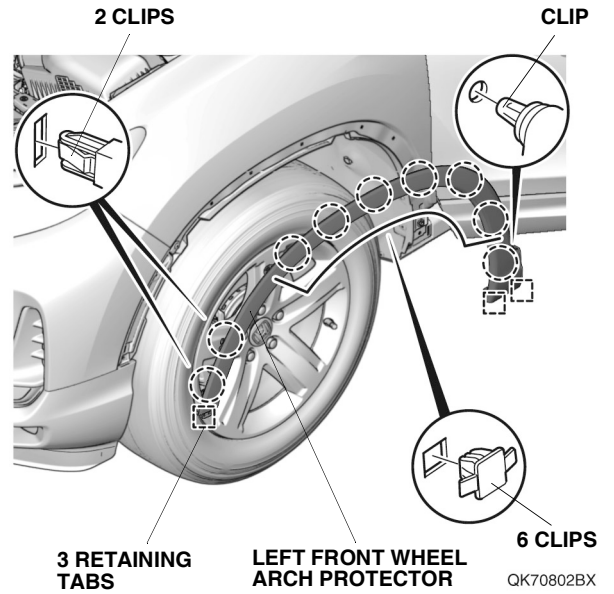
5. Remove the self-tapping screws.



3 SELF-TAPPING SCREWS

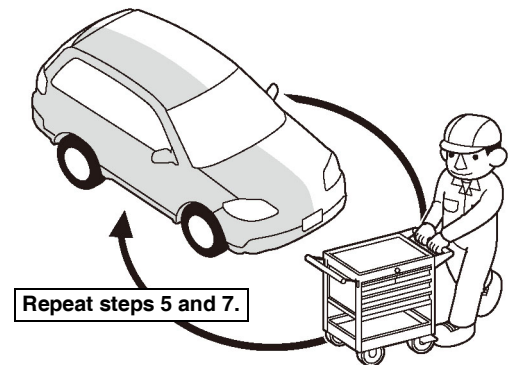
QK70801AX

6. Open the front driver side door and remove the left front wheel arch protector.



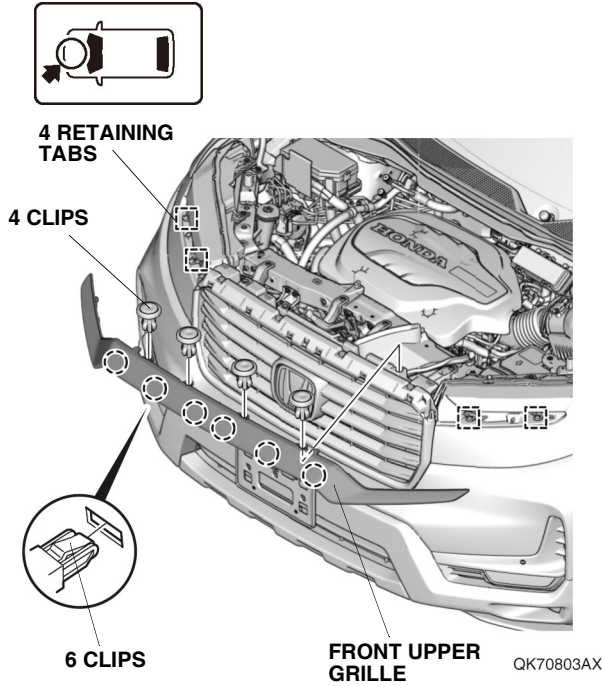
QK70802BX

7. Close the front driver side door.
8. Repeat the same procedures for the other side.



Q9D1014AM

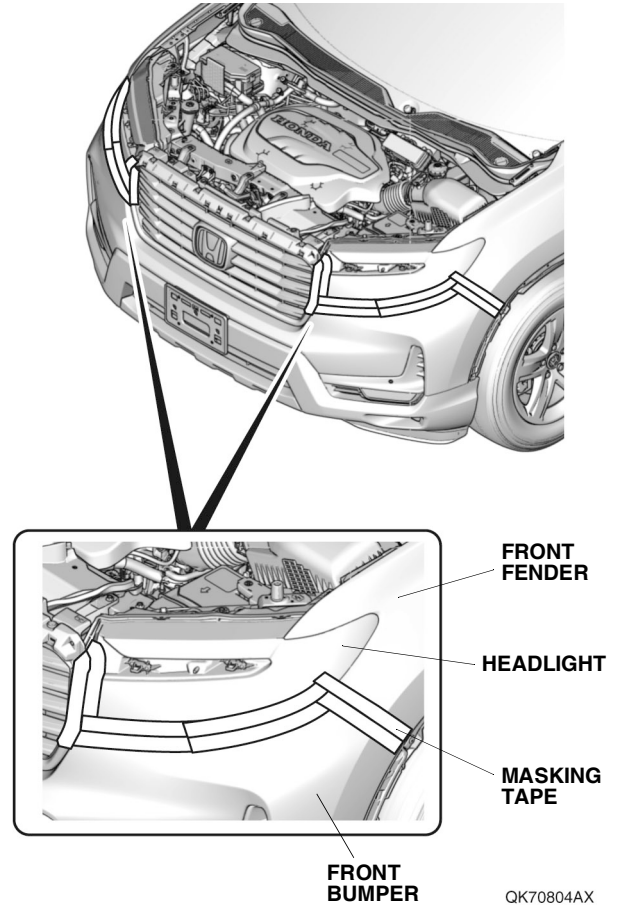
9. Remove the front upper grille.



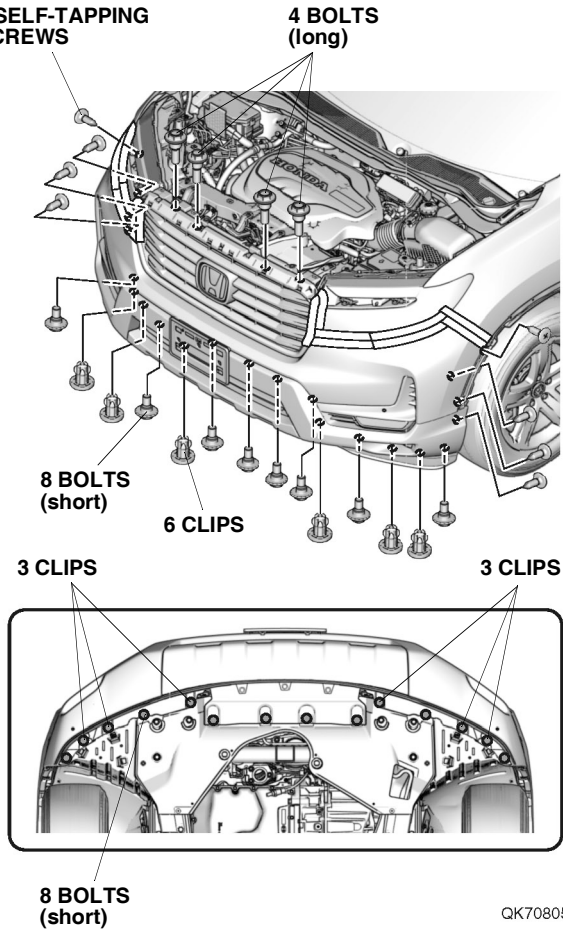
10. Attach masking tape to protect the vehicle.

## NOTE

Do not remove the masking tape until after the parts are installed.

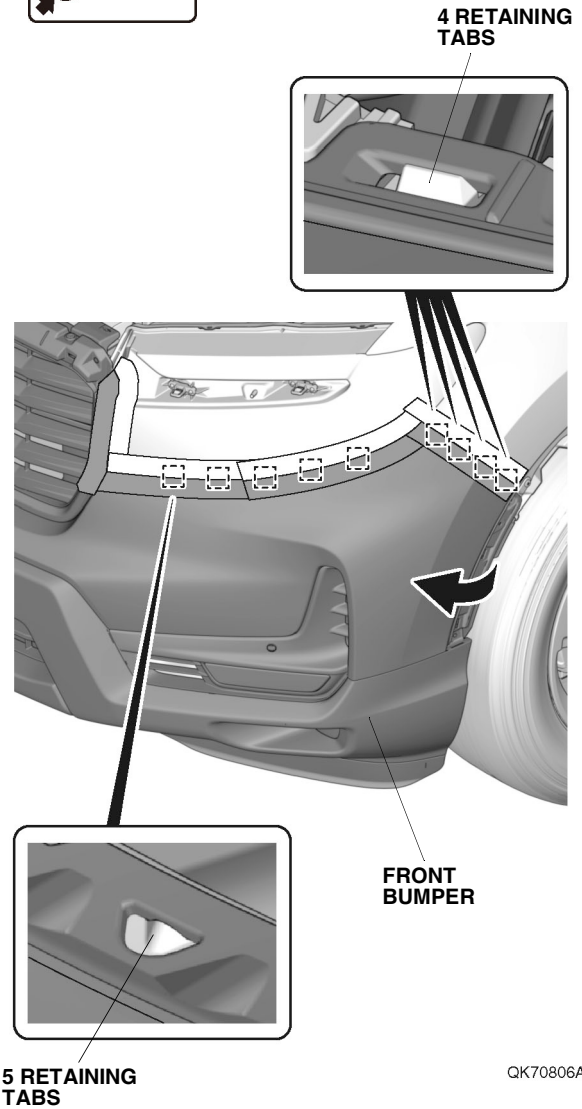
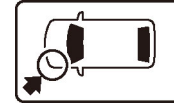


11. Remove the clips, bolts, and self-tapping screws.



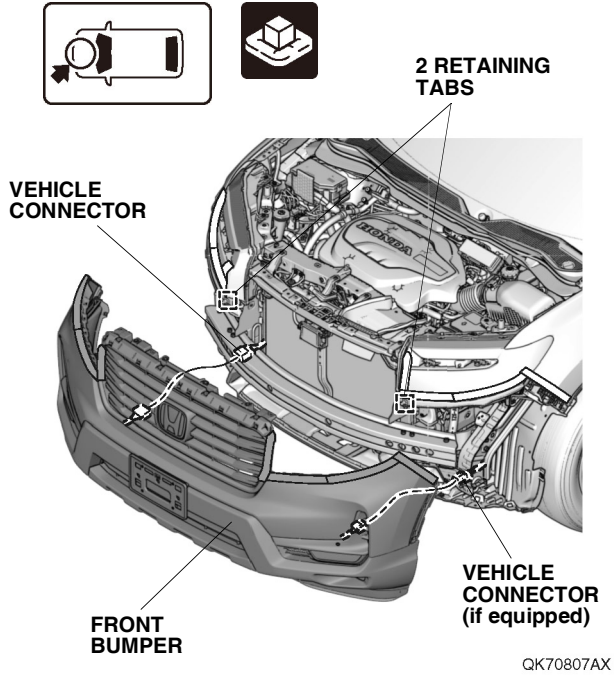
12. Release the retaining tabs.

NOTE
<ul style="list-style-type: none"><li>• Release the retaining tabs as shown.</li><li>• Make sure to release the retaining tabs in the correct orientation.</li></ul>

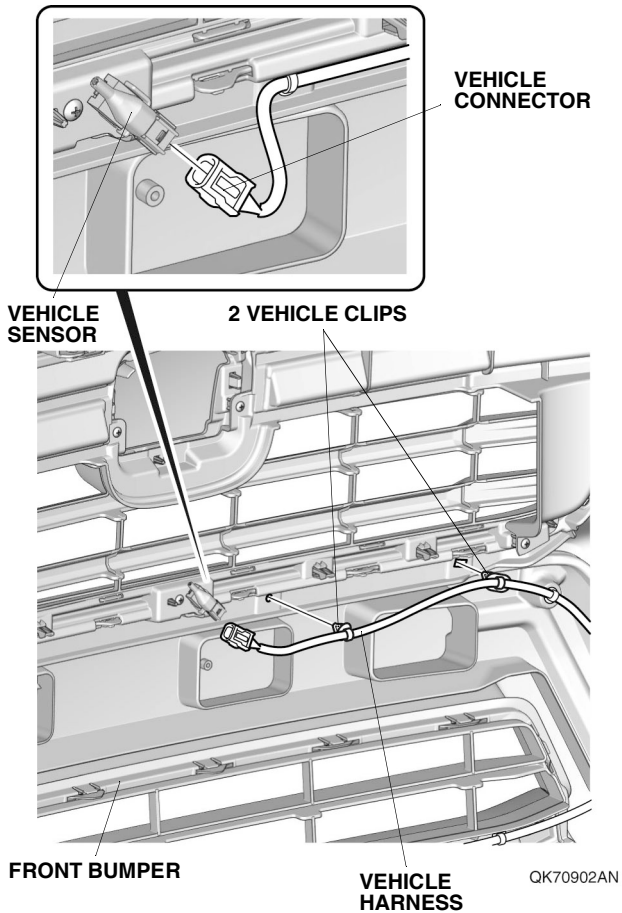


13. Repeat step 12 for the other side.

14. Remove the front bumper.

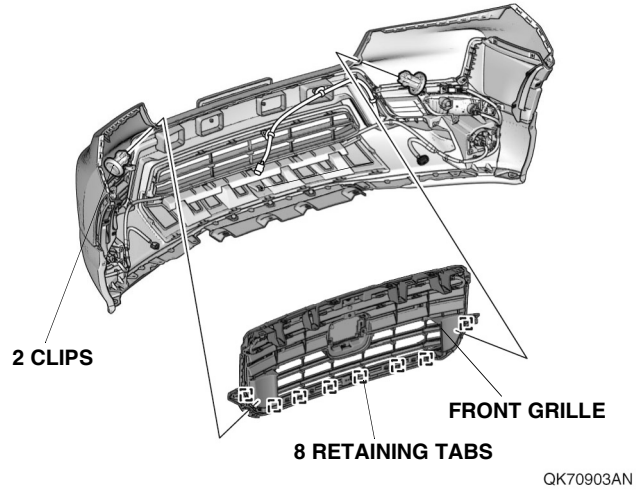


15. Unplug the vehicle connector.

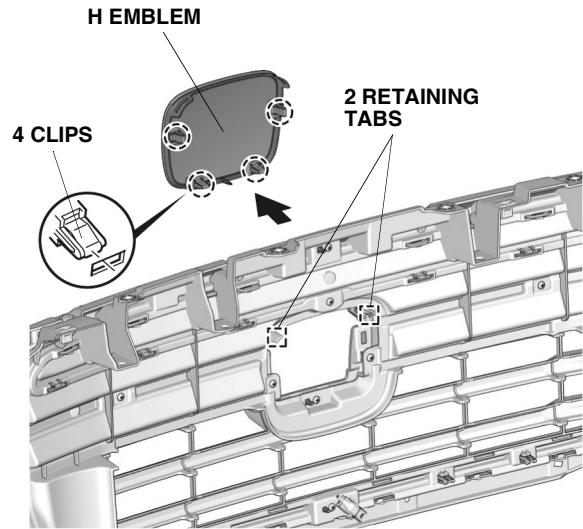


16. Release the vehicle harness.

17. Remove the front grille.



18. Remove the H emblem.



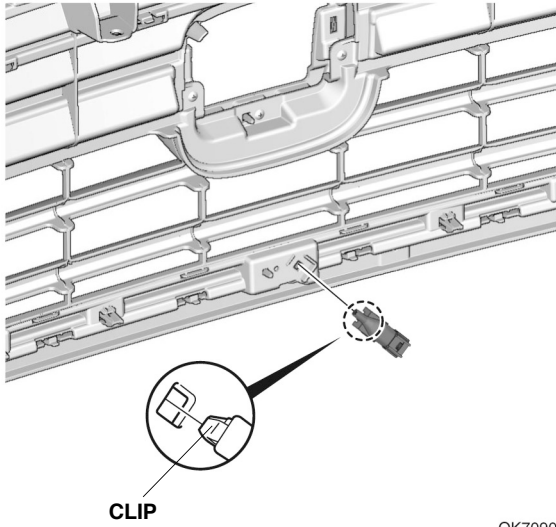
QK70904AN



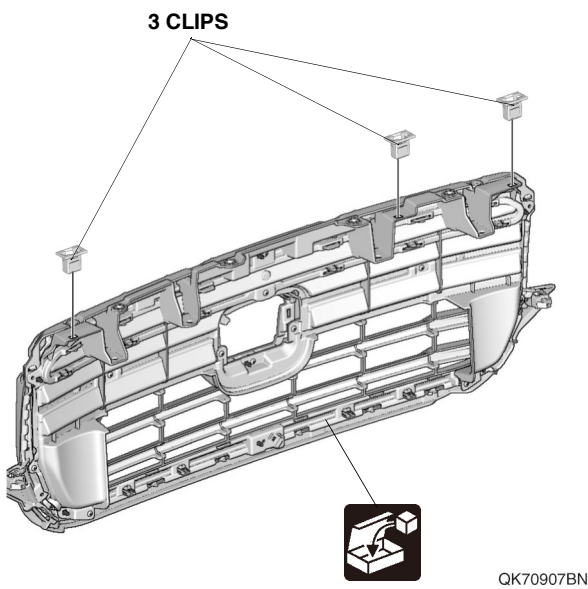
19. Remove the vehicle sensor.

**NOTE**

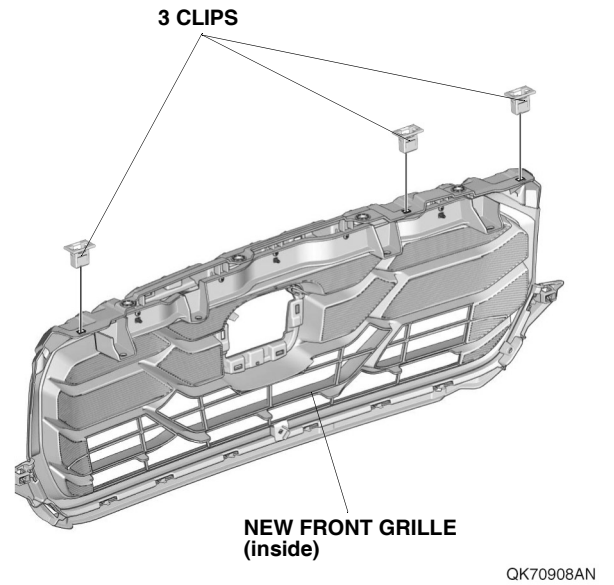
Be careful not to damage the clip of the vehicle sensor.



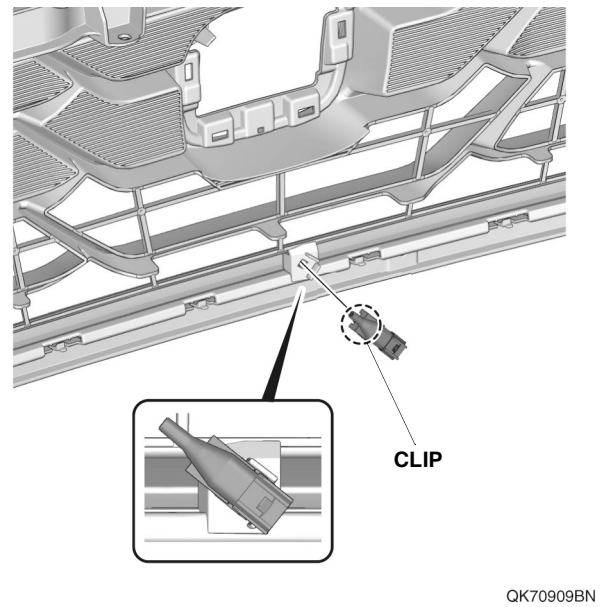
20. Remove the clips.



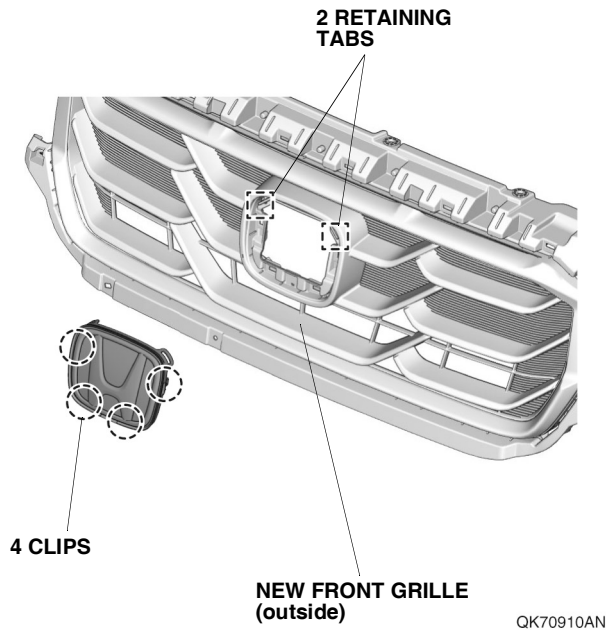
21. Install the clips.



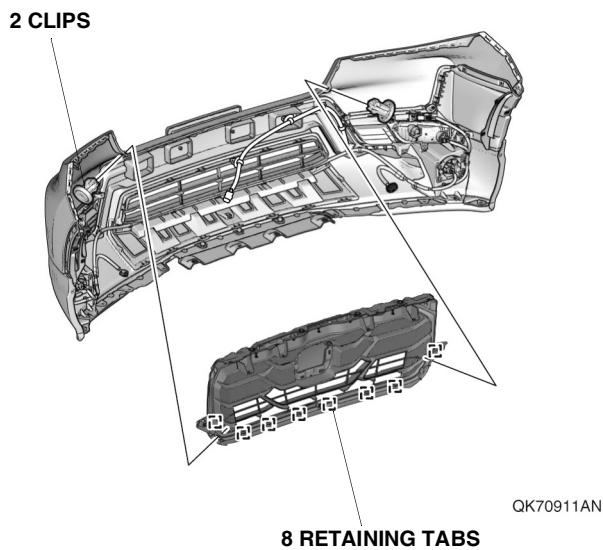
22. Install the vehicle sensor.



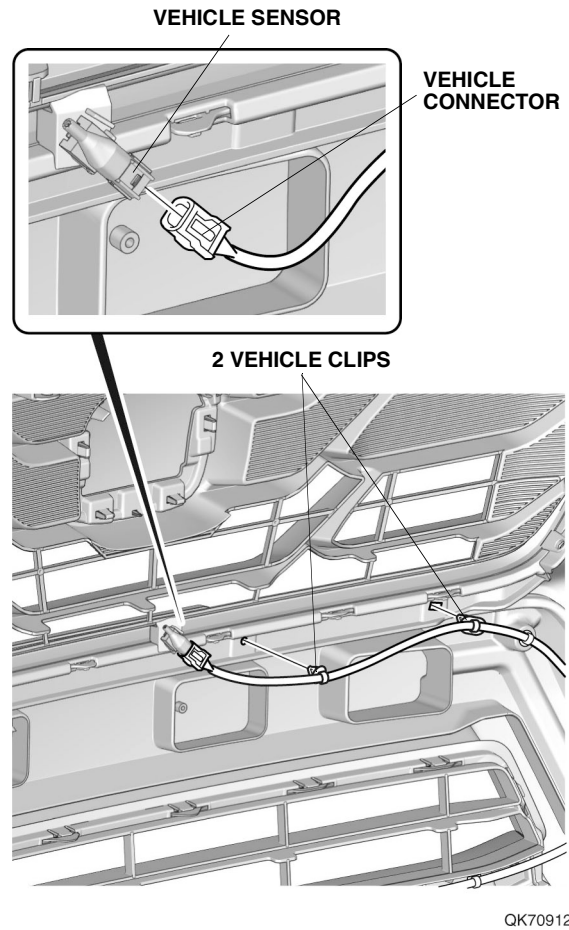
23. Install the H emblem.



24. Install the new front grille.



25. Plug-in the vehicle connector.



26. Secure the vehicle harness.

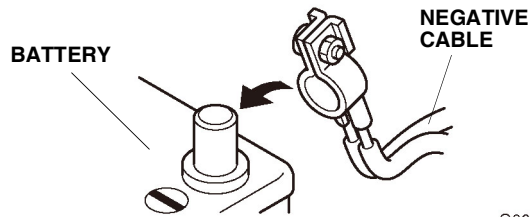
27. Check that all parts are installed and properly routed.

## NOTE

- Check that all harnesses are not pulled and not pinched.
- Make sure all clamps and wire ties are securely installed.

28. Install all removed parts except for the front bulkhead cover and intake air tube.

29. Connect the negative cable to the battery.



30. Install the front bulkhead cover and intake air tube.

31. Make sure all accessories and systems operate properly.

32. If necessary, restore the systems back to normal operation as described in the service information.

33. Press and hold the audio unit power button for 2 seconds to restore the audio and navi (if equipped) system functions.